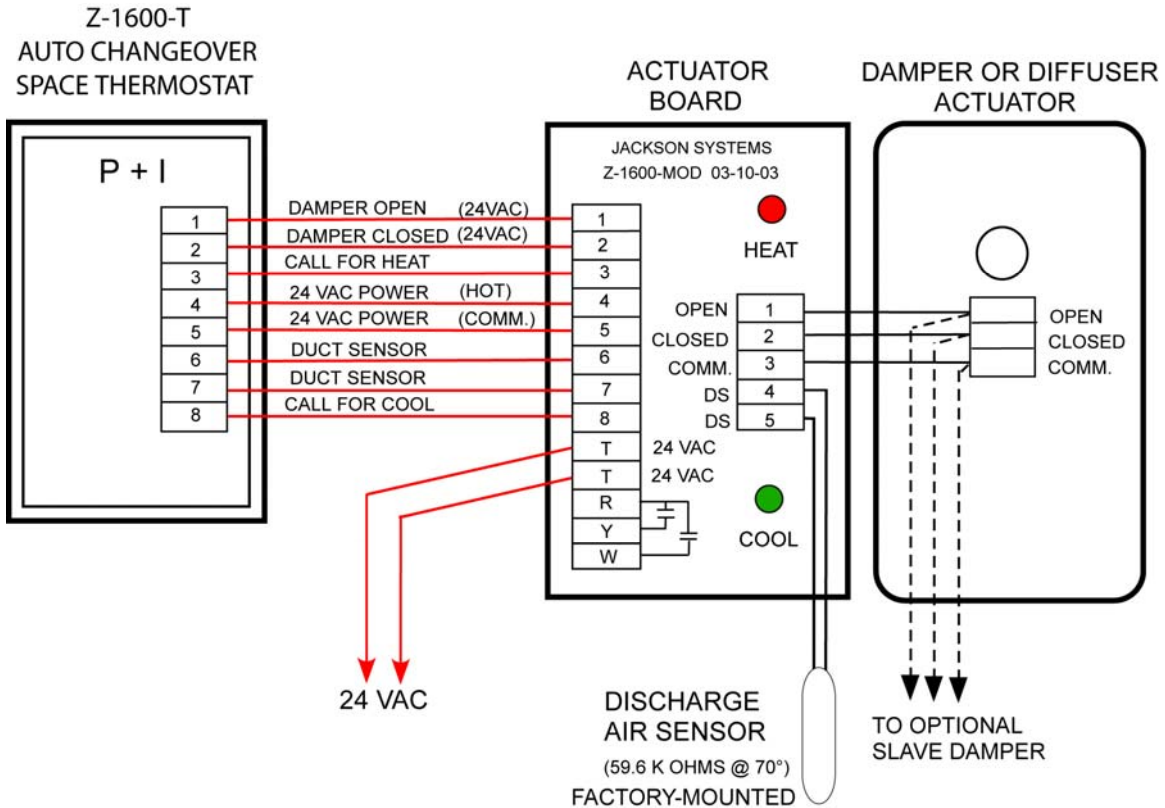


MODULATING STAND-ALONE THERMOSTAT AND DAMPER



SYSTEM NOTES:

Red lines indicate field wiring.
 Use standard 18 gauge thermostat wire.
 Actuator requires a 24 VAC 40 VA transformer.

DAMPER NOTES:

The actuator board is located on the side of the damper actuator and is factory-wired.

The space thermostat can control up to 3 damper actuators in parallel.

If discharge air temperature at the damper is **warmer** than 72° f, the zone damper will operate as a heating damper. If discharge air temperature at the damper is **colder** than 72° F, the zone damper will operate as a cooling damper.

Testing: Disconnecting the discharge air sensor will put the thermostat in the cooling mode. Turning the thermostat down will open the damper, shorting the sensor will put the thermostat in the heating mode. Turning the thermostat up will open the damper.

REHEAT NOTES:

Wire the 24 VAC reheat to terminals "R" and "W" on the actuator board.