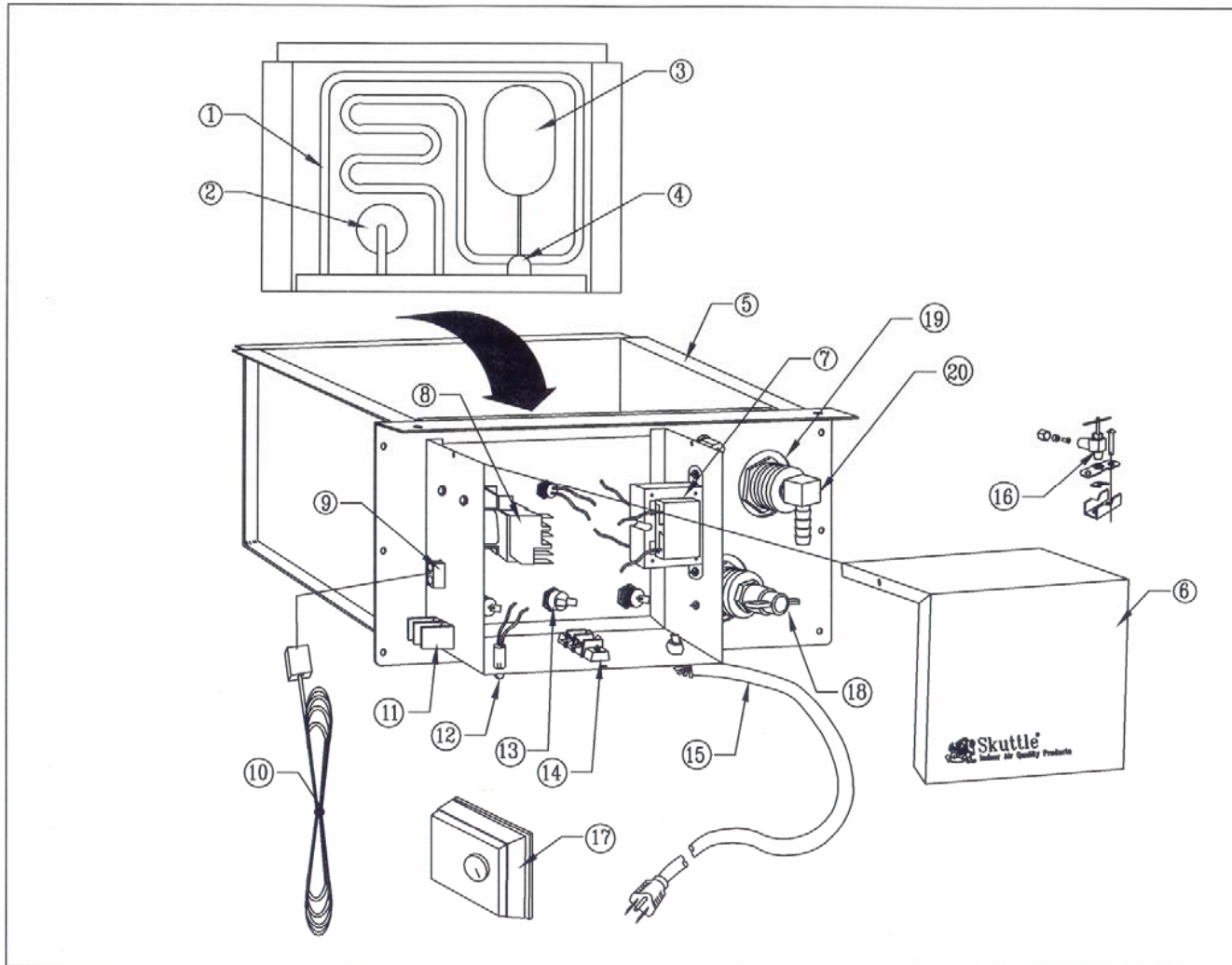


Model 60 Series Replacement Parts



Key Number	Part Number	Standard Package	Description
1	000-0430-055	1	120 Volt Heater
2	000-0814-132	1	Safety Float Switch
3	A00-1309-012	1	Float for water fill valve
4	000-1731-012	1	Water Fill Valve
5	A01-1730-078	1	Water Pan Assembly
6	000-0641-150	1	Cover
7	000-0814-133	1	Transformer 120 Volt Primary 24 Volt Secondary
8	000-0431-031	1	Control Relay DPST 24 volt
9 & 10	A00-0811-120	1	Fan Wiring Assembly
11	000-0814-135	1	Humidistat Control Terminal Block
12	000-0814-139	1	Indicator Light
13	000-0431-030	1	Thermal Fan Control "Thermostat"
14	000-0814-134	1	Power Distribution Terminal Block
15	000-0811-107	1	120 volt Power Supply Cord
16	A00-1128-005	1	Saddle Valve
17	SEH-7100-000	1	Compustat Assembly
18	000-1319-065	1	Drain Cock Valve
19	A00-1319-067	1	Drain and Overflow Bushing (Includes Overflow Bushing, Washer, & Lock Nut)
20	000-1106-034	1	90° Barbed Elbow
Not Shown	A00-0693-020	1	9 pc. Gasket Set (Includes Drain, Overflow, Thermostat, Safety Float & Heater Washers)

Model 60-2 Replacement Parts That Differ From 60-1

1	000-0430-056	1	240 Volt Heater
7	000-0814-140	1	Transformer 240 volt Primary 24 volt Secondary
15	000-0811-108	1	240 volt Power Supply Cord

Model F Series Replacement Parts Not Shown

	00S-HAFT-000	1	Automatic Humidifier Flushing Timer
Not Shown	A03-0815-017	1	Flushing Timer Repair Kit Includes Timer, Transformer and Solenoid Valve
Not Shown	WF-10	1	Chlorine Removal Filter For Steam Humidifiers

Model 60 BC-1

000-1318-079	1	Fan Blade For 60-BC1
000-1721-020	1	Fan Motor For 60-BC1