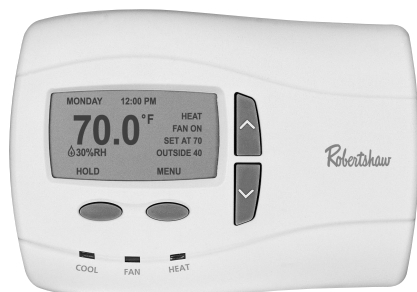


Robertshaw®

DELUXE
PROGRAMMABLE
THERMOSTATS

Models 9801i, 9815i and 9820i

Quick Start Installation Manual



111-321C

Installation DOs and DON'Ts

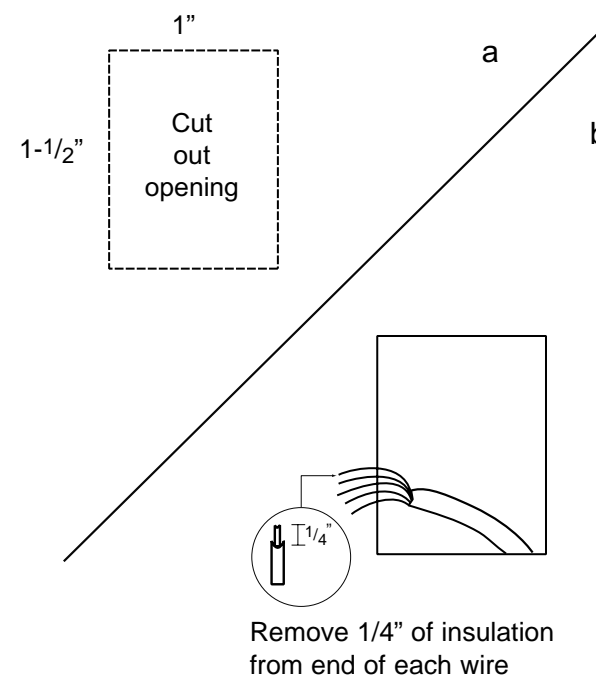
DO

- Shut off all power to system before installing.
- Read entire manual before installing.
- Make sure that all wiring conforms to national and local codes.

DO NOT

- Install on voltages greater than 30 VAC.
- Short jumper across terminals on the gas valve or at the system control.
- Install on outside walls or in direct sunlight.

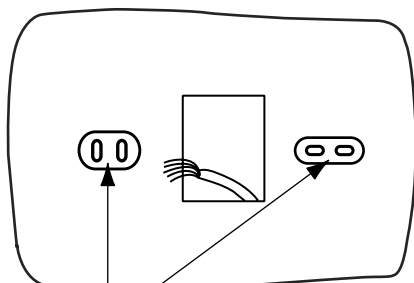
① Select location for installation.



② Open the case with a screwdriver. Place in slot and gently pry forward at all four locations.

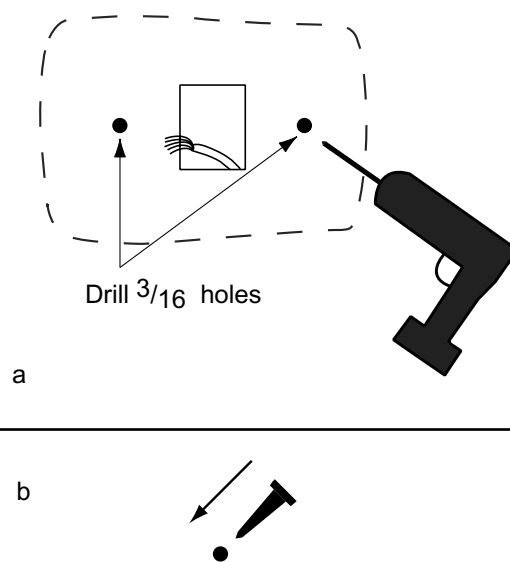


③ Mark mounting hole locations on wall.



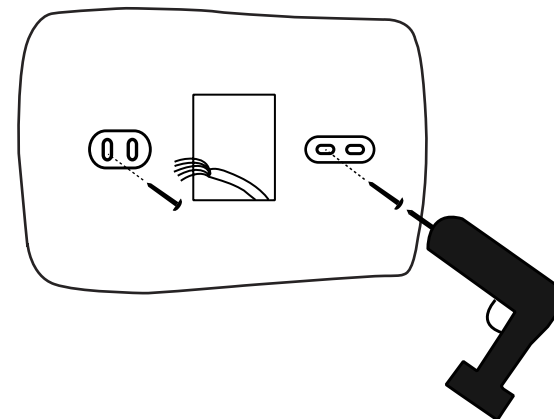
Mark mounting hole locations on wall using unit base as template.

④ Drill 3/16" holes at marked locations on wall. Insert plastic anchors into holes.

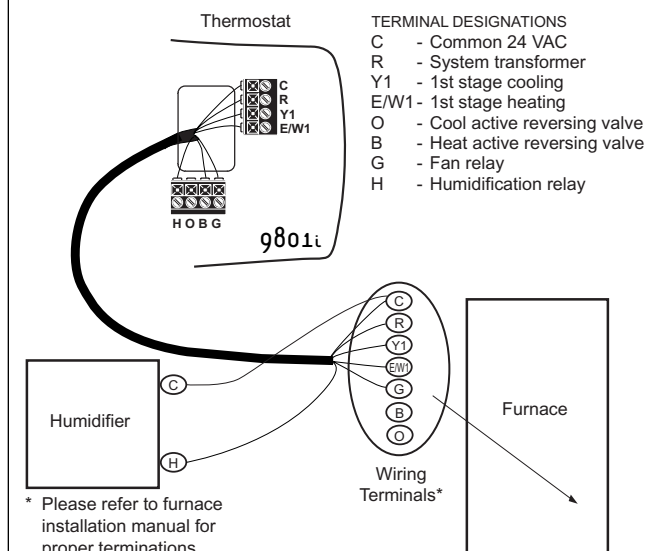


Press anchors into holes until flush.

⑤ Align unit base over plastic anchors embedded in wall and secure with the screws provided.



⑥ Connect wiring between unit and furnace. For Model 9801i (1H/1C furnace applications):



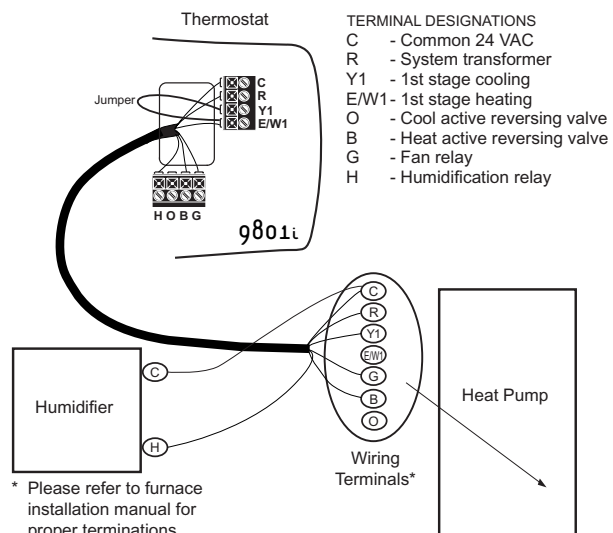
TERMINAL DESIGNATIONS

- C - Common 24 VAC
- R - System transformer
- Y1 - 1st stage cooling
- E/W1 - 1st stage heating
- O - Cool active reversing valve
- B - Heat active reversing valve
- G - Fan relay
- H - Humidification relay

* Please refer to furnace installation manual for proper terminations

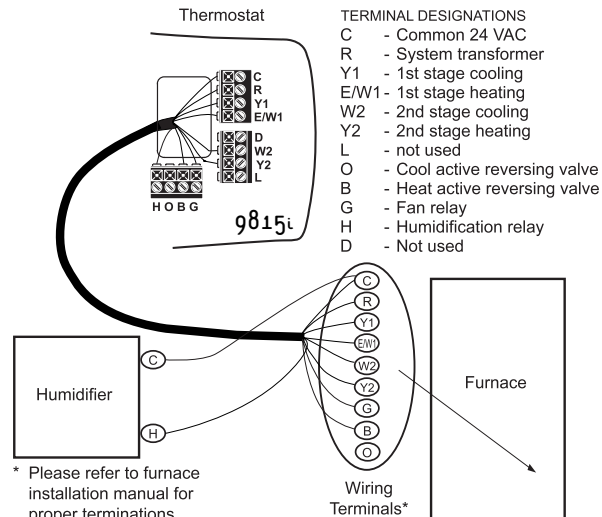
Note: To avoid electrical problems, use the system transformer for both the thermostat and humidifier.

7 **NOTE:** For 9801i single stage heat pump applications, place a jumper between the W1 and Y1 terminals.



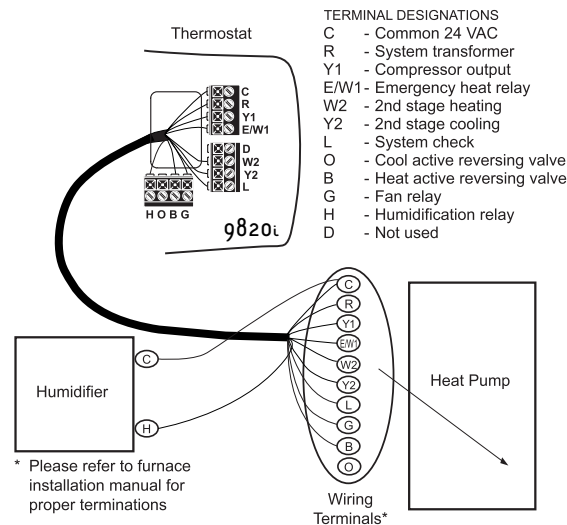
Note: To avoid electrical problems, use the system transformer for both the thermostat and humidifier.

8 Connect wiring between unit and furnace. For Model 9815i (2H/2C furnace applications):



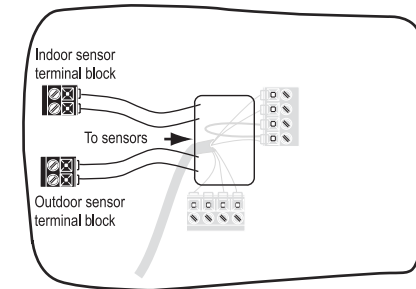
Note: To avoid electrical problems, use the system transformer for both the thermostat and humidifier.

9 Connect wiring between unit and heat pump. For Model 9820i (2H/2C heat pump applications):

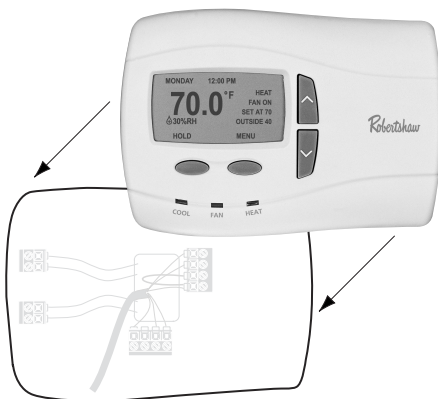


Note: To avoid electrical problems, use the system transformer for both the thermostat and humidifier.

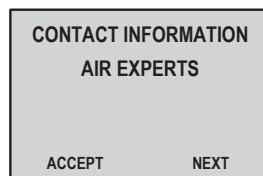
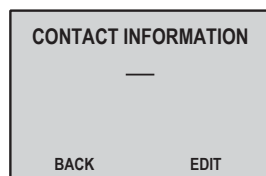
10 Connect wiring between the thermostat and the indoor sensor (9020i) and the outdoor sensor (9025i), if used. Use twisted pair wiring (22AWG minimum) with a maximum length of 300 feet (or 100m).



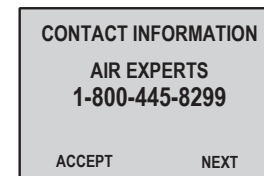
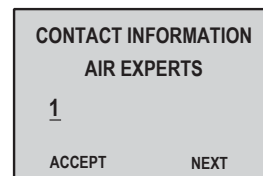
11 Replace cover on thermostat. To replace cover, line up top and bottom edges and push straight in. DO NOT pivot on upper case clips. Turn on power to unit and proceed with programming per instructions on the display or in the users manual.



12 **Set Your Name**
 To set your name and phone number into the thermostat press MENU, select INSTALLER SETTINGS, and CONTACT INFORMATION. The screen at the bottom left should appear.
 To enter your name press EDIT. Use the UP or DOWN button to scroll through the characters. (DOWN gets you to the letters faster.) After each letter press NEXT. When you are done entering your name, press ACCEPT.



13 **Set Your Phone Number**
 Now enter your phone number. Use the UP and DOWN arrow to select the first number. Press NEXT. When you have completed entering your phone number, press ACCEPT.
 The screen will return to the INSTALLER SETTINGS. Finish setting the thermostat for the application.



Climate Controls Americas
 515 South Promenade Avenue
 Corona CA 92879-1736
 United States of America
 Made in Mexico
 Patents Pending
 www.about-i-series.com