

Vertical Discharge Remote Condenser

For S-Series Ice Cube Machines



Manitowoc



JC-0895
Remote Condenser

Remote, air-cooled condenser system improves efficiency and ice production, conserving energy.

Manitowoc remote condenser systems effectively dissipate heat at a convenient location, indoors or outdoors, away from the ice machine. This maximizes ice-making capability and minimizes air conditioning loads by lowering the ambient air temperature at the ice machine.



ISO 9001:2000
Quality System
Certified

- Vertical discharge remote condenser is available for S-Series 500, 600, 850, 1000, 1400 and 1800 ice machines. Refer to ice machine specification sheet for equipment dimensions, production capacities, electrical requirements, and ice storage bin compatibility.
- Condenser operation range from -20°F (-29°C) to 120°F (49°C). Can be installed with up to 15" (38.1 cm) of bottom clearance.
- Remote system consists of a remote condenser and interconnecting refrigerant

lines. All components are pre-charged with environmentally responsible refrigerant and have quick-connect fittings for convenient installation. Order ice cube machine, ice storage bin and line set separately.

- Warranty
3-year parts and labor. See warranty statement for complete details.

Single S-Series Ice Machine	Remote Condenser
S-500	JC-0495
S-600, 850 or 1000	JC-0895
S-1400 or 1800	JC-1395

America's #1 Selling Ice Machine

Ice Cube & Flake Machines • Ice Storage Bins • Ice Dispensers

Manitowoc

Manitowoc Remote Condenser

Installation Information and Dimensions

Maximum Location Distance—combined vertical and horizontal distances from ice machine to condenser must comply with guidelines.

Maximum Line Length: 100' (30 m)*

Maximum Vertical Rise: 35' (10.5 m)
above ice machine.

Maximum Vertical Drop: 15' (4.5 m) below
ice machine.

To calculate other acceptable horizontal and vertical combinations, refer to remote condenser installation instructions.

*Remote condenser has refrigerant charge for up to 50' (15 m) line length. Over 50' (15 m) requires additional refrigerant charge at time of installation for Series 1400, and 1800 ice machines.

Remote S-Series Ice Machine

S-Model	Electrical Service*	Minimum Circuit Ampacity	Maximum Fuse size		
500	115/60/1	14.1	20		
600	208-230/60/1	8.9	15		
850	208-230/60/1	10.6	7.8	20	15
1000	208-230/60/1	12.8	9.9	20	15
1400	208-230/60/1	17.1	12.8	30	20
1800	208-230/60/1	23.1	13.0	40	20

*230/50/1 available. Shaded box indicates 3 phase. Consult factory. HACR circuit breakers can be used in place of fuses.

Electric

Electrical power to the remote condenser is intended to be supplied from the ice machine; however, if necessary, a separate electrical power source can be used.

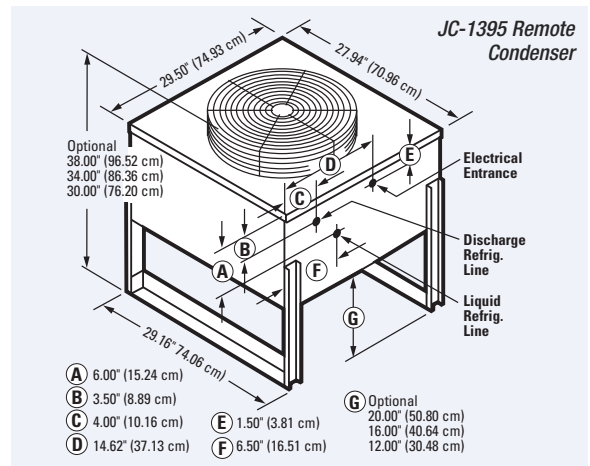
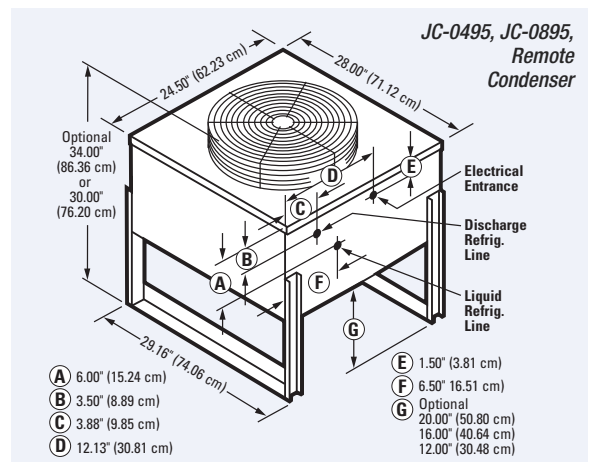
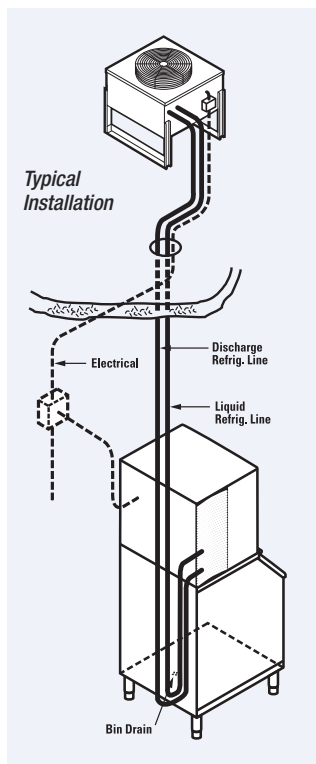
S-Series Remote Condenser

Condenser S-Model	Matching Ice Machine	CONDENSER		Weight	
		Electrical Service*	Amperage	lbs.	kgs.
JC-0495	500	115/60/1	2.3	76	34
JC-0895	600, 850, 1000	208-230/60/1	1.3	85	39
JC-1395	1400, 1800	208-230/60/1	1.3	96	44

*230/50/1 available. Consult factory. HACR circuit breakers can be used in place of fuses.



We are committed to protecting the environment and its resources. For up-to-date product data always view an electronic version on our web site.



Standard Interconnecting Refrigerant Lines

Model	Line Length		Weight	
	ft.	cm.	lbs.	kgs.
R(*)-20-R-404A	20	600	11	5
R(*)-35-R-404A	35	1,050	17	8
R(*)-50-R-404A	50	1,500	24	11

*RT prefix for Series 500, 600, 850, and 1000. RL prefix for Series 1400 and 1800. Order separately.



©2008 Manitowoc 9008 Continuing product improvement may necessitate change of specifications without notice. 3219B



MANITOWOC ICE
2110 South 26th Street, P.O. Box 1720
Manitowoc, WI 54221-1720, USA
Ph: 920-682-0161 • Fax: 920-683-7589
Visit us online at www.manitowocice.com

