

DETROIT RADIANT

RE-VERBER-RAY

RADIANT GAS HEATERS®

PRODUCTS COMPANY

SERIES

○ DR

● PH

○ PT

○ BAH

PH SERIES

GAS-FIRED, HIGH INTENSITY INFRA-RED PATIO HEATERS

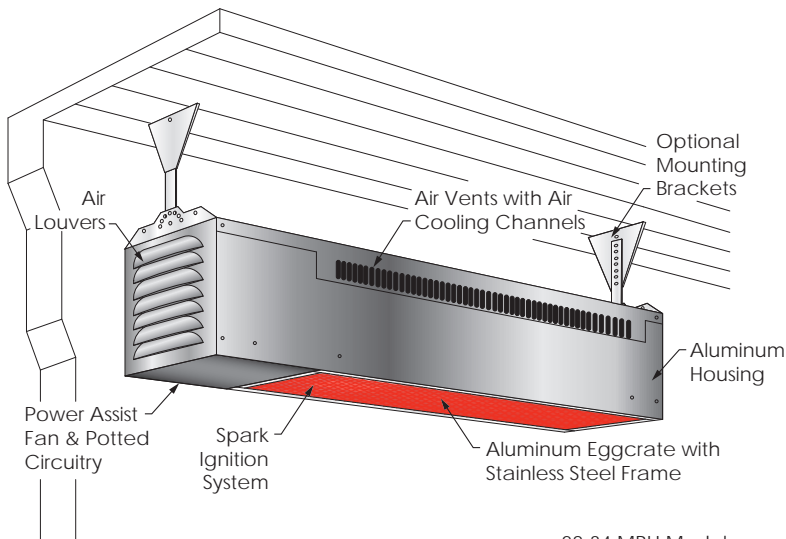
The Patio-Pal® heater extends the benefits of infra-red heating to many commercial and residential applications. The attractive Patio-Pal® easily mounts out of the way with no nuisance propane tanks to refill. The Patio-Pal® is ideal for various indoor and outdoor applications such as restaurant patios, entryways, mezzanines and much more. Specifically designed for comfort, reliability and ease of installation, the Patio-Pal® is sure to deliver the perfect amount of warmth to your space.

HIGH INTENSITY



PRODUCT FEATURES

- C.S.A. Design Certified for Indoor & Outdoor Use.
- Decorative Aluminum Grill with Stainless Steel Frame.
- Wind and Rain Protected Design.
- 28,000 to 34,000 BTU Inputs. Natural or Propane Gas.
- Power Assist Fan and Reliable Direct Spark Ignition.
- Power Cord Connection with Potted Circuitry.



28-34 MBH Models with Power Cord Connection



TYPICAL APPLICATIONS

- Restaurant Patios
- Entrance Ways
- Porches
- Mezzanines
- Vestibules
- Spot Heating Areas

DETROIT RADIANT PRODUCTS CO.

21400 Hoover Rd.
Warren, MI 48089-3162

Phone: (586) 756-0950
Toll Free: 1-800-222-1100
Fax: (586) 756-2626
Email: sales@detroitradiant.com
Website: www.reverberray.com



PH SERIES

SPECIFICATIONS



PRODUCT SPECIFICATIONS

BTU Range:	28, 31, & 34 MBH
Gas Type:	Natural or Propane
Certification:	CSA Indoor/Outdoor
Limited Warranty:	1 year controls, 3 years burner
Gas Connections:	3/8" NPT
Manifold:	5" Natural or 10" Propane
Minimum:	6" Natural or 11" Propane
Maximum:	14" Natural or 14" Propane
Volts:	120V primary required (3-prong cord)
Amps:	.25 starting, .24 running
Control Voltage:	120V standard

OPTIONAL EQUIPMENT:

Mounting Brackets:	PH-BKT
Clearance Safety Sign:	PLQ
Chain Mounting Set:	PH-CS
24V Control Voltage:	Call for Availability

⚠ WARNING

To Prevent Serious Injury or Death:

INDOOR/OUTDOOR COMMERCIAL USE AND OUTDOOR RESIDENTIAL USE ONLY!

This heater is **NOT** for home or recreational use. **DO NOT USE** in the home, mobile home, RV's, campers, tents, etc. Use only in a well ventilated area. Consult the Installation, Operation and Maintenance manual for further information.

AVAILABLE PH MODELS

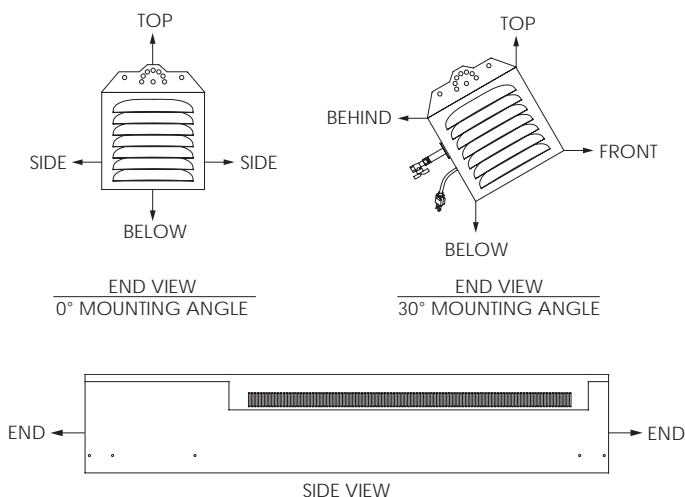
MODEL	GAS*	BTU/H	APPROX COVERAGE	DIMENSIONS			WEIGHT	MOUNTING HEIGHTS**	CLEARANCE TO COMBUSTIBLES***						
				A	B	C			MTG. ANGLE	SIDES(S)	END	BELOW	TOP	BEHIND	FRONT
PH-28	N or LP	28,000	7' x 7'	8.5"	9.0"	45.25"	~56 lbs.	8'-0" to 8'-6"	0°	14"	22"	46"	13"	N/A	N/A
									30°	N/A	22"	46"	17"	8"	46"
PH-31	N or LP	31,000	8' x 8'	8.5"	9.0"	45.25"	~56 lbs.	8'-0" to 9'-6"	0°	14"	22"	46"	13"	N/A	N/A
									30°	N/A	22"	46"	17"	8"	46"
PH-34	N or LP	34,000	9' x 9'	8.5"	9.0"	45.25"	~56 lbs.	8'-6" to 10'-0"	0°	14"	22"	46"	13"	N/A	N/A
									30°	N/A	22"	46"	17"	8"	46"

* Specify natural (N) or propane (LP) gas.

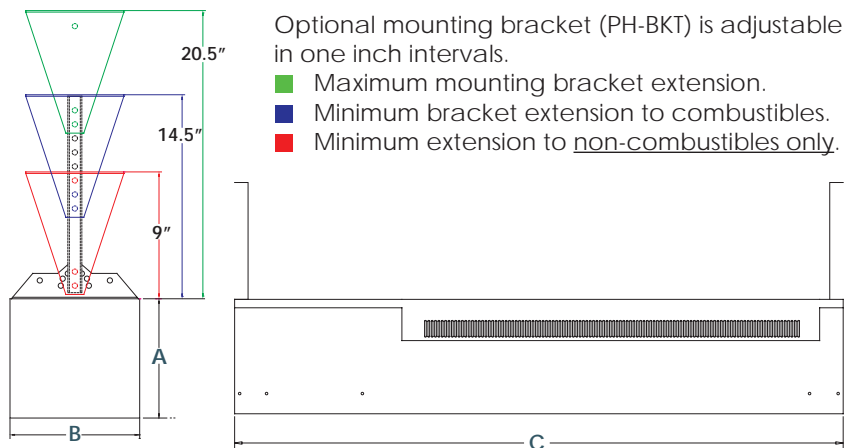
** Mounting heights are recommended and provided as a guideline only. Actual conditions may dictate variations from the above data.

*** Always maintain the published clearances to combustibles. Maintain a 22 inch end clearance to combustibles. **NOTE:** If the heater is mounted beneath a non-combustible surface, an 8 inch minimum top clearance must be maintained from the top of the heater to prevent overheating the controls.

^ Shipping weight is 59 lbs. (64 lbs. with PH-BKT). Box dimensions 48"x15"x15". Truckline transportation is recommended.



PH SERIES & OPTIONAL MOUNTING BRACKET DIMENSIONS



Optional mounting bracket (PH-BKT) is adjustable in one inch intervals.

- Maximum mounting bracket extension.
- Minimum bracket extension to combustibles.
- Minimum extension to non-combustibles only.

DISTRIBUTED BY:



WARNING! : To avoid serious injury, property damage or death, clearances to combustibles **MUST** be maintained.