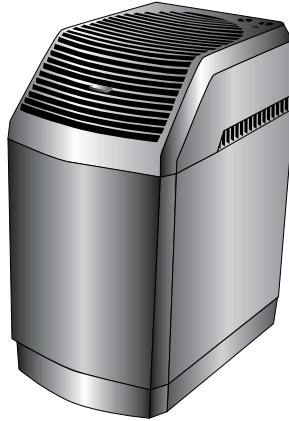


READ AND SAVE THESE INSTRUCTIONS



**Evaporative
Humidifier**

OWNERS CARE & USE MANUAL



Models:

- 826 800 White,
Two Speed
- 826 900 Ice and Snow,
Two Speed
- 821 000 White Two Speed
Digital Humidistat
- 821 990 White Two Speed
Digital Humidistat
Includes Hygrometer



SAVE THE ENVIRONMENT
RECYCLE APPROPRIATE MATERIALS

Patents: 5,037,583; 5,110,511; 5,133,904
Other Patents Pending

French and Spanish
instructions included.

Se incluyen instrucciones
en Español y Francés.

Directives en français et
en espagnol compris.

Important Safeguards

READ BEFORE USING YOUR HUMIDIFIER

- 1) This appliance has a polarized plug (one blade is wider than the other). To reduce the risk of electric shock, this plug is intended to fit only one way into a polarized 120-volt AC, 15-amp outlet. If the plug does not fit fully in the outlet, reverse the plug. If it still does not fit, contact a qualified electrician. Do not attempt to defeat this safety feature. If an extension cord must be used, it should also accept the wide blade plug and meet this electrical rating.
- 2) Do not place the cord under rugs, in traffic areas, or near heat sources.
- 3) Do not use the humidifier if the cord is damaged.
- 4) **Always unplug the power cord before filling, cleaning, servicing, or when the unit is not in use to prevent possible electrical shock.**
- 5) Do not place the humidifier near loose drapes, combustible materials, or heat-producing objects.
- 6) This humidifier is UL listed with Bemis by Essick Air brand evaporative wicks in place. To maintain your UL safety listing, see your service center for all repairs. Use only Bemis by Essick Air brand replacement wicks and chemicals. To order parts, wicks and chemicals call 1-800-547-3888.
- 7) Regular cleaning is required. Refer to the CARE AND MAINTENANCE section in this manual.



Introduction

Your Bemis by Essick Air humidifier adds invisible moisture to your home by moving dry inlet air through a saturated wick. As air moves through the wick, the water evaporates into the air, leaving behind in the wick any white dust, minerals or dissolved and suspended solids. Because the water is evaporated, there is no messy mist or spray, and no white dust, just clean and invisible moist air.

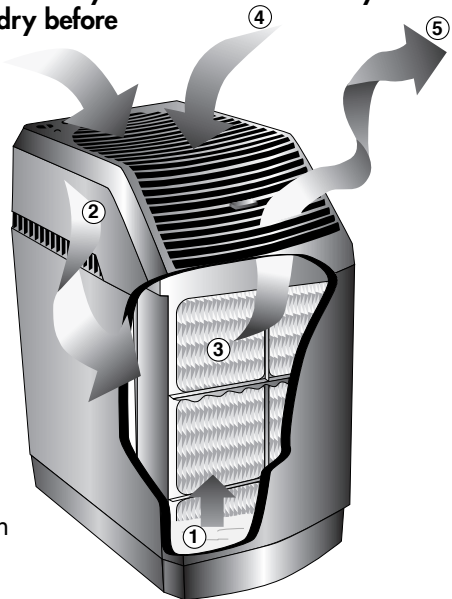
As the wick traps accumulated minerals from the water, its ability to absorb and evaporate water decreases. We recommend changing the wick at least once a year, preferably disposing of the used wick at the end of the humidifying season and starting with a new one at the beginning of the next humidifying season. In hard water areas, more frequent replacement may be necessary to maintain your humidifier's efficiency.

CAUTION - We recommend using Bemis by Essick Air Bacteria Treatment or a similar strength product, whenever you refill the water reservoir to eliminate bacteria growth. Follow the directions to determine the proper amount to be added to the 6 gallon water reservoir. The evaporative wick does not require the use of chelating agent type water treatments that are intended for use in Rotobelt or Water Wheel type humidifiers. Your humidifier is provided with a 6 gallon water reservoir. The unit is designed to have an output of 8 gallons per 24 hours. When the reservoir has emptied, the refill light will illuminate. The humidifier fan will automatically shut off. **For your safety, unplug humidifier every time it is refilled. If any water spills on the motor chassis, wipe dry before plugging in after filling**

Dry air is drawn into the humidifier through the top and moisturized as it passes through the wick. Then it is fanned out into the room.

- 1) water reservoir
- 2) motor chassis
- 3) evaporative wick
- 4) dry air intake
- 5) moist air output

Locate your humidifier at least 4" away from an inside wall, near an electrical outlet. Do not position the unit directly in front of a hot air duct or radiator.

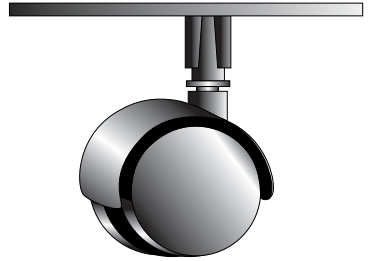


Assembly and Operation

- 1) Unpack humidifier from carton.
- 2) Remove all packaging materials. Check to see that you have the following items before discarding packaging:
 - Evaporative Wick
 - Caster pack
 - Lift rod assembly with styrofoam float

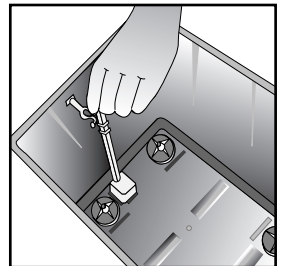
Installing Casters:

- 3) This unit comes equipped with four casters for added convenience. To install the casters, lift the chassis off of the cabinet and place it on a flat, hard surface where it will not be bumped.
- 4) Lift out the evaporative wick frame assembly from the cabinet and set it aside.
- 5) To prevent damage to the float and lift rod, untwist the lift rod retainer, and remove the lift rod assembly from the humidifier cabinet. Do not attempt to install casters before removing the lift rod assembly.
- 6) Turn the humidifier cabinet upside down.
- 7) Install the casters by inserting the caster shaft into the four small holes positioned roughly 2 inches from each corner of the humidifier cabinet. Push the casters into the cabinet as far as they will go. Do not force. Follow this procedure for all four casters. Turn the cabinet right-side up when done.

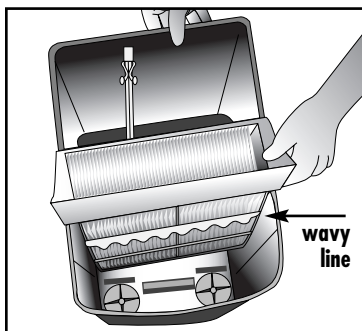


Assembling Humidifier:

- 8) Replace the float assembly and attached lift rod into the boxed area on the bottom of the inside of the cabinet. Slip lift rod into retainer ring and twist to secure. The lift rod should be able to freely move up and down about $3/8$ ". The retainer ring should be located between the two ribs on the lift rod.



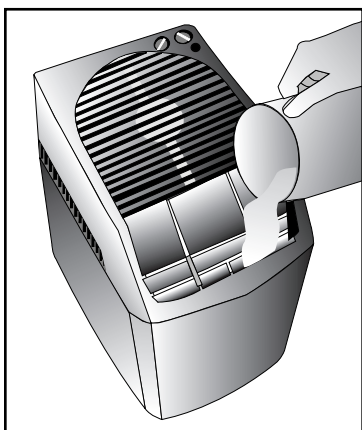
- 9) Replace the evaporative wick frame assembly into the guides provided in the bottom of the cabinet and the ribs along the sides of the cabinet.
- 10) Place the chassis unit onto the cabinet ensuring that the chassis seats correctly into the front and back grooved edges of the cabinet.



Note: This wavy line is the fill level indicator. Do not fill above this mark.

Filling the Humidifier:

- 11) Before filling the humidifier with water, be certain that the speed control switch is turned off and that the humidifier is **unplugged**. Fill the water reservoir with cool, fresh, preferably unsoftened water. If you have only softened water available in your home, you can use it, but you will notice a build up of minerals on the evaporative wick much sooner. **Fill the humidifier to the level indicated on the wick frame assembly and "Fill to Here" decal on the cabinet side wall. Do not overfill the humidifier.**

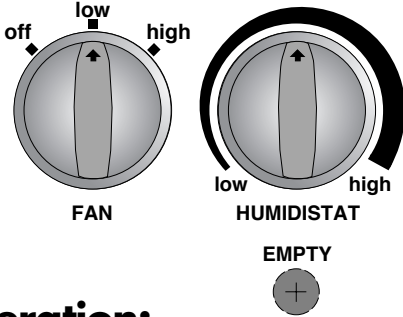


The upper portion of the wick element must remain exposed above the fill level indicator mark. When the humidifier is full the float switch will allow the humidifier to run. When the water level drops to the refill level, the humidifier will automatically shut off and the "refill" indicator will light. When first filled, reservoir capacity is 6 gallons.

- 12) We recommend using Bemis by Essick Air Bacteria Treatment every time you refill the humidifier to eliminate bacteria growth. Add bacteriostat according to the instructions on the bottle.
- 13) The air exit grille should be placed on the front of the humidifier in the recessed area provided. Insert the bottom edge first.
- 14) Plug the cordset into the wall receptacle. Humidifier is now ready for use. **NOTE:** If you have not filled the humidifier with water the unit will not run.

Controls - Models 826 Series:

15) Models 826 900 & 826 800 are equipped with a two speed fan control switch. Use the low setting for quiet operation and the high speed for maximum output.

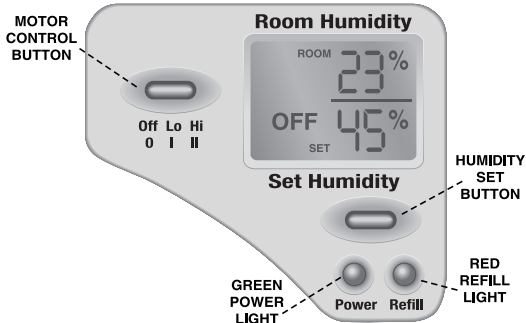


Operation:

16) Both models have an automatic humidistat. The humidistat will turn the humidifier on when the relative humidity in your home is below the humidistat setting and will turn off the humidifier when the relative humidity reaches the humidistat setting. For initial operation set the humidistat in the middle "comfort zone" and adjust up or down from there to achieve the desired humidity level. A suggested initial setting is shown in the illustration above. When the humidifier is running, you will feel cool, invisible, humid air exiting from the outlet grille.

Controls - Models 821 Series:

17) Models 821 000 and 821 990 are equipped with a two speed fan control switch. Use the low setting for the quiet operation and the high setting for maximum output. These models also have a digital humidistat and LCD display. The Humidistat sensor continuously monitors the rooms Relative Humidity (% RH) and displays that number at the top of the display. The desired humidity level (% RH) can be manually adjusted between 30 and 90%, using the "Set Humidity" button. This number is displayed at the bottom of the display. 45% RH is the suggested initial setting.



Operation:

- 18) The automatic humidistat will turn the humidifier on when the relative humidity in your home is below the humidistat setting and will turn off the humidifier when the relative humidity reaches the humidistat setting. When the humidifier is running, you will feel cool, invisible, humid air exiting from the outlet grille.
- 19) When first plugged in, the display will show the current Room Humidity and will default to 45% set humidity. If there is no water in the reservoir, the red "Refill" indicator will be lit and the motor will not run. Unplug the humidifier and fill to the water level specified.
- 20) When the reservoir has been filled to the "Fill to Here" marking on the cabinet side wall, connect the power cord. The Refill indicator will not be lit, and the motor speed can be set to desired LO or HI speed by pressing the "OFF LO/HI" button. The green Power indicator will be lit. To change motor speed or to turn OFF, repeatedly press the "OFF LO/HI" button.
- 21) If the room humidity is lower than the Set Humidity, the motor will run. If higher than the Set Humidity, the motor will not run. The desired humidity level can be changed with the "Set Humidity" button. Press the button once, and the display will flash. Press the button repeatedly to increase the Set Humidity in steps of 5% RH. When the desired humidity level is reached, (between 30 - 90 % RH), release the button. If the button is released and then held down while flashing, the display will auto-advance rapidly through the range (30 - 90% RH). To exit the auto-advance mode, release the button.
- 22) After the "Set Humidity" button has been inactive for three (3) seconds, it will exit the Set Mode with the last programmed number remaining on the display.

CAUTION: Under certain conditions, cold objects in the room, such as windows and outside walls, may cause moisture to condense. Severe condensation on window sills and walls may result in water damage. When these conditions exist, a lower humidistat setting is recommended.

Care and Maintenance

IMPORTANT: We recommend cleaning your humidifier every two weeks. Follow Instructions.

Humidifiers provide comfort by adding moisture to dry, heated indoor air. To get the most benefit from the humidifier and avoid product misuse, follow all instructions carefully, specifically the operation, care and maintenance guidelines. Please note this is an electrical appliance and requires careful attention when in use. In addition, if you do not follow the recommended care and maintenance guidelines, microorganisms may be able to grow in the water within the humidifier's reservoir.

CAUTION: Disconnect power before cleaning or servicing unit.

- 1) Turn unit off by turning the humidistat and the fan speed switch to the off position.
- 2) Unplug electrical cord from wall outlet.
- 3) Lift chassis unit with outlet grille from cabinet and place on a hard, flat surface where it will not be bumped. Use care to avoid damage to the internal float lever.

Cleaning the Water Reservoir:

- 4) Carefully lift the wick frame assembly from cabinet, allowing any water to drain from the wick into the water reservoir. Place wick assembly in sink to finish draining. **Handle wick carefully, paper is fragile when wet**
- 5) Remove the lift rod and float assembly. (see Assembly Section for instructions.)
- 6) Remove any remaining water in the reservoir. After the water is removed, add 1 gallon of fresh warm water and 8 oz. of undiluted white vinegar. Clean all interior surfaces using a soft brush and the cleaning solution. Let the solution stand for 20 minutes. Remove the solution and wipe out the bottom with a soft cloth dampened with white vinegar to remove any remaining scale.

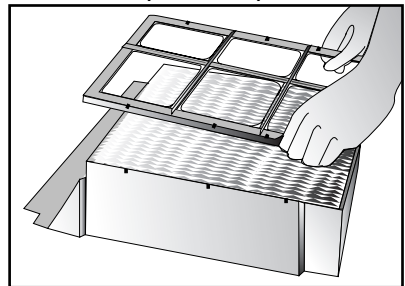
- 7) Rinse thoroughly with clean warm water to remove scale and any remaining cleaning solution before disinfecting the cabinet to prevent potential growth of microorganisms that may cause respiratory problems.

Disinfecting the Water Reservoir:

- 8) Fill the water reservoir with a mixture containing one teaspoon of chlorine bleach and one gallon of water. Let the solution stand 20 minutes, swishing every few minutes. Wet all surfaces.
- 9) Empty the water reservoir after 20 minutes. Rinse it with water until the bleach smell is gone. Dry with a clean cloth or paper towel.
- 10) Replace the wick assembly into the guides provided in the cabinet.
- 11) Replace lift rod float assembly.
- 12) Replace the chassis unit on to the cabinet, ensuring that the chassis seats correctly into the front and back grooved edges of the cabinet.
- 13) Fill the reservoir to the full level mark with fresh water and replace outlet grille.
- 14) Plug the cord back into a polarized 120 volt AC outlet.
- 15) Adjust the humidifier controls to the desired setting.

Evaporative Wicks:

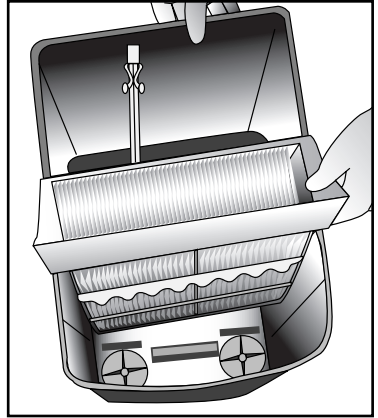
We recommend replacing the evaporative wick at least once a season, more often in areas with hard water. When the wick appears excessively clogged with mineral deposits, discard it and restore your humidifier's efficiency with a new wick. Bemis by Essick Air evaporative wick number 1043 fits all 800 series console humidifiers. Call 1-800-547-3888 to order. Only Bemis by Essick Air wicks guarantee the certified output of your humidifier. Use of other wicks will void the warranty and may reduce your humidifier's output.



Frame Disassembly

Replacing the Wick:

16) Remove the old wick from the frame by carefully disengaging the fastening hooks from the rear frame piece (see illustration). Discard old wick. The new wick is inserted into the front frame. The wick will work correctly regardless of the direction it faces in the frame (there is no front, back, top, or bottom). Once the wick is in the frame, re-engage the frame hooks, to complete assembly.



17) The frame then fits between the guide ribs on both sides of the humidifier. (The wick and frame will cover the vast majority of the width of the humidifier). The portion of the wick frame which extends up farther than the rest of the frame is positioned towards the front of the humidifier. (The wick will therefore be positioned further towards the rear of the humidifier).

Summer Storage:

- 18) Clean unit as outlined above.
- 19) Discard the used wick.
- 20) Allow unit to dry thoroughly before storage. Do not store with water inside the unit.
- 21) Do not store the unit in an attic or other high-temperature area.
- 22) Clean humidifier and install new Bemis by Essick Air evaporative wick before the next season begins. Only Bemis by Essick Air evaporative wicks guarantee the rated output of your humidifier. A convenient order form for wicks and accessories is found in the back of this manual.

WARNING: The top housing assembly contains no consumer serviceable parts. To reduce the risk of electrical shock, do not attempt to open the wiring cover. Electrical repairs must be made by an authorized Service Center. Attempts to repair or replace electrical components will void your warranty.

Troubleshooting

1) Unit does not operate at any speed setting:

- Polarized cord must be fully inserted in wall outlet.
- Check refill switch operation, by unplugging unit, remove Motor Chassis, place on side and move refill switch lever. If you do not hear the switch "click" service may be required.
- Refill with water if necessary.
- Humidistat not set properly - set humidity to a higher level.
- Check the airflow path. Are there any obstructions preventing movement of the fan blade?
- The motor contains a temperature-sensing fuse. If the motor becomes overheated, the fuse may trip. Unplug the unit and contact the nearest authorized service station. DO NOT ATTEMPT to repair the motor yourself.

2) Not enough humidity:

- This is an evaporative humidifier. The humidity is invisible.
- Check the condition of the evaporative wick. Replace if clogged or hardened with minerals.
- The water reservoir may be empty - refill.

3) Too much humidity:

When condensation becomes heavy on cold surfaces in the room, turn the unit to a lower humidistat setting or increase the room temperature.

4) Water Leak:

The cabinet was overfilled. For your safety an overflow hole is provided in rear of cabinet. Correct water level is marked on wick frame and cabinet side wall.

5) Odor:

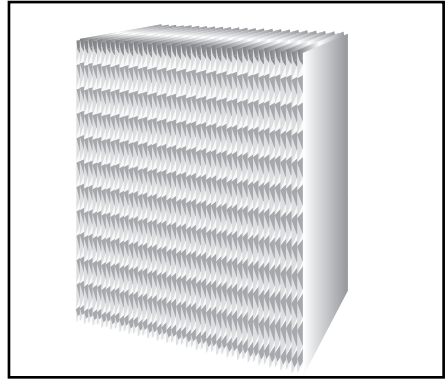
Clean and disinfect cabinet reservoir following CLEANING AND DISINFECTING INSTRUCTIONS. Use Bemis by Essick Air Bacteria Treatment to help eliminate unpleasant odors.

- 6) The electronic module on Model 821 Series is not consumer serviceable - contact Bemis by Essick Air Customer Service for assistance.

Accessories

Evaporative Wick

Model 1043. Replaceable wick continuously wicks up moisture as it filters out mineral deposits. Reduces scale build-up in the unit. Only Bemis by Essick Air wicks are UL and AHAM certified to provide the rated performance from your Bemis by Essick Air Humidifier.



Bacteria Treatment

No.1970 - 32 oz. Bacteria Treatment. Controls bacteria growth in humidifiers. Helps eliminate unpleasant odors.





BY **ESSICK** 

HOME COMFORT DIVISION ONE-YEAR LIMITED WARRANTY

The Bemis by Essick Air humidifier warranty covers defects in materials and workmanship for a period of one year from date of retail purchase. This warranty applies only to the original purchaser of the product.

Within the first 12 months from date of purchase, Essick Air will repair or replace, at its discretion, any defective part of the humidifier covered by this warranty.

This warranty gives you specific legal rights, and you may also have other rights which vary from state to state or province to province.

This warranty does not cover damage resulting from misuse or abuse of the humidifier, accidents or alterations to the product, commercial use or damage during shipment. Misuse includes malfunctions caused by negligence in cleaning or parts fouled with mineral deposits due to hard-water conditions. Alterations to the product include the substitution of non-Bemis by Essick Air brand components including, but not limited to, wicks.

If service becomes necessary, take or send the product to any Bemis by Essck Air service center.



BY **ESSICK** 

Essick Air Products, Inc.

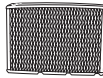
5800 Murray Street
Little Rock, AR 72209
501.562.1094



ACCESSORY ORDER FORM

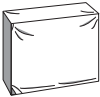
To keep your humidifier in top working condition, use only Bemis by Essick Air replacement parts. Only Bemis by Essick Air replacement wicks guarantee your humidifier will maintain its original AHAM certified output.

No. 1041
Superwick for 400 & 600 Series
Console & Credenza Humidifiers.
\$15.99



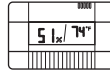
No. 1045
Superwick for H12 Series
Console Humidifiers
\$18.99

No. H4000
Summer Protective
Dust Cover for 400 Series
Console Humidifiers
\$6.99



No. 1051
Air Cleaner Filter for 400 & 600 Series
Console & Credenza Tabletop Humidifiers
\$17.99

No. 1043
Superwick for 800 Series
Space Saver Console Humidifiers
\$12.99
• Filter only, frame not included



No. 1990
Digital Hygrometer/Comfort Sensor
\$25.99
• Digitally monitors temperature & humidity

No. 1970
Bacteria Treatment, 32 oz.
\$5.99



• Helps Eliminate Bacteria & Algae Build-up
• Strongly Recommended for Bemis Humidifiers
& All Other Evaporative Humidifiers

No. 1961
Humidifier Cleaner, 32 oz.
\$3.99
• Helps Remove Lime Scale
• Aides in Cleaning Your Humidifier

Item #	Description	Qty	Unit Price	Amount
1041	Superwick for 400 and 600 Series Console Humidifiers		15.99	
1043	Superwick for 800 Series Space Saver Console Humidifiers		12.99	
1045	Superwick for H12 Series Console Humidifiers		18.99	
1051	Air Cleaner Filter for 400 and 600 Series Console Humidifier		17.99	
1961	Cleaner for all Humidifiers, 32 oz.		3.99	
1970	Bacteria Treatment, 32 oz.		5.99	
H4000	Summer Protective Cover for 400 Series Console Humidifiers		6.99	
1990	Digital Hygrometer/Comfort Sensor		25.99	

Shipping Schedule	
\$0.00 - 19.99	.. \$4.00
\$20.00 - 49.99	.. \$6.00
\$50.00 - 99.99	.. \$8.00
\$100.00+	.. \$10.00

TOTAL MERCHANDISE _____
 CT RESIDENTS ADD 6% TAX _____
 SHIPPING & HANDLING _____
 TOTAL INVOICE AMOUNT _____

Source Code	Revised
BEM 110	05/03/04

Name _____

Address _____

City _____ State _____ Zip Code _____

Phone number _____

Email address _____

Enclosed is my:

- Check or Money Order (US Currency) payable to:
BEMIS BY ESSICK AIR
 Visa/MasterCard American Express Discover

Card #: _____

Signature: _____

Expiration Date: _____

Web Orders: www.bemis-parts-store.com

Telephone Orders: • Call toll free 1-800-547-3888
• \$15.00 minimum telephone orders

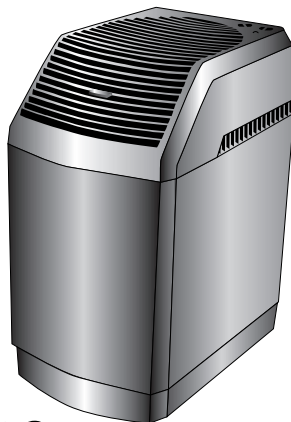
Mail Orders: **BEMIS BY ESSICK AIR CONSUMER SERVICES**
20 Constitution Boulevard, South
P.O. Box 884
Shelton, CT 06484-0884

ORDERS ARE SHIPPED WITHIN 24 HOURS.
If outside the continental USA, call for FREIGHT CHARGES.

LEER Y CONSERVAR ESTAS INSTRUCCIONES

**BEMIS**
BY **ESSICK**
**Humidificador
Vaporizador**

MANUAL CUIDADO Y USO POR EL PROPIETARIO



Modelos:

- 826 800 Blanco,
Dos Velocidades
- 826 900 Hielo y Nieve,
Dos Velocidades
- 821 000 Blanco, Dos Velocidades,
Humidistato Digital
- 821 990 Blanco, Dos Velocidades,
Humidistato Digital,
incluye Medidor de
humedad

**BEMIS**
BY **ESSICK**



PROTEJA EL MEDIO AMBIENTE
RECICLE LOS MATERIALES APROPIADOS

Patentes 5,037,583; 5,110,511; 5,133,904
Otras patentes pendientes

Pautas Importantes de Seguridad

LEER ANTES DE UTILIZAR SU HUMIDIFICADOR

- 1) Este artefacto tiene un enchufe polarizado (una espiga es más ancha que la otra). Para disminuir el riesgo de descarga eléctrica, este enchufe está diseñado para encajar tan solo de una forma en un tomacorriente polarizado de 120 voltios CA, de 15 amp. Si el enchufe no encaja completamente en el tomacorriente, intentar conectarlo en sentido contrario. Si a pesar de eso no encaja, contactar a un electricista calificado. No intentar burlar esta característica de seguridad de manera alguna. Si tiene que utilizar un cordón de extensión, éste también debe aceptar el enchufe con espiga ancha y debe tener el voltaje adecuado.
- 2) No colocar el cable debajo de alfombras, en áreas de tráfico, ni cerca de fuentes de calor.
- 3) No utilizar el humidificador si el cable está dañado.
- 4) **Para prevenir la posibilidad de choques eléctricos, siempre desenchufar la unidad de la corriente antes de llenarla, limpiarla, darle servicio o cuando no esté en uso.**
- 5) No colocar el humidificador cerca de cortinas sueltas, materiales combustibles u objetos que produzcan calor.
- 6) Este humidificador está aprobado por UL cuando tiene instalado el filtro/mecha vaporizadora marca Bemis by Essick Air. Para mantener la certificación UL, visitar su estación de servicio para todas las reparaciones. Utilizar únicamente mechas de repuesto y químicos marca Bemis by Essick Air. Para ordenar repuestos y químicos llamar al 1-800-547-3888.
- 7) Se recomienda limpiar con regularidad. Referirse a la sección de CUIDADO Y MANTENIMIENTO en este manual.



Introducción

Su humidificador Bemis by Essick Air agrega una humedad invisible a su hogar haciendo pasar el aire seco a través de la mecha saturada de agua. A medida que el aire pasa a través de la mecha humedecida, el agua se va vaporizando en el aire dejando atrás cualquier polvo blanco, minerales o sólidos disueltos y suspendidos en la mecha que a su vez sirve de filtro. Debido a que el agua se evapora, no existe niebla o rocío sucio ni polvo blanco, tan solo aire húmedo limpio e invisible.

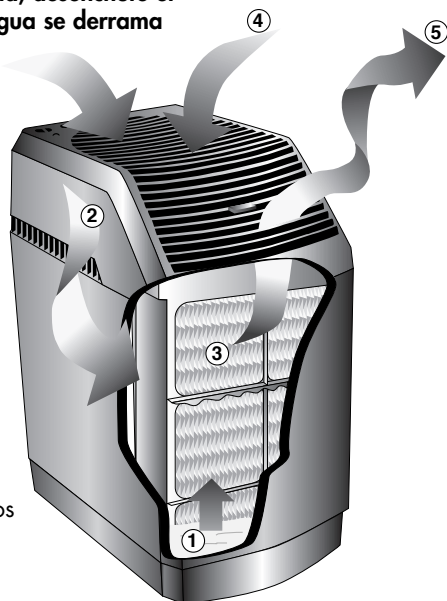
A medida que el filtro/mecha vaporizador atrapa los minerales acumulados en el agua, su capacidad para absorber y vaporizar agua va disminuyendo. Recomendamos cambiar el filtro/mecha por lo menos una vez por año, preferiblemente desechando el filtro/mecha usado al final de la temporada en que se necesita humedad adicional, y comenzando con uno nuevo la siguiente temporada que requiere humedad adicional. En áreas con aguas duras el reemplazo puede ser necesario con más frecuencia para conservar la eficiencia de su humidificador.

PRECAUCIÓN - Para eliminar el desarrollo bacteriano, recomendamos usar el Bactericida Bemis by Essick Air, o un producto de potencia similar cada vez que se rellene el reservorio de agua. Seguir las instrucciones para determinar la cantidad apropiada que debe añadirse al reservorio de 6 galones (23 litros) de agua. El filtro/mecha no requiere de agentes anticalcificantes para el tratamiento de agua cuyo uso está destinado a humidificadores tipo Correa Rotatoria o Rueda de Agua. Su humidificador está provisto de un reservorio para agua de 6 galones (23 litros). La unidad está diseñada para producir 8 galones (30 litros) de humedad cada 24 horas. Cuando el reservorio se haya vaciado, la luz indicadora para el relleno de agua se encenderá. El ventilador del humidificador se apagará automáticamente. **Para su seguridad, desenchufe el humidificador cada vez que lo rellene. Si el agua se derrama sobre el chasis del motor, séquelo frotándolo con un trapo antes de volverlo a enchufar.**

El aire seco ingresa al humidificador a través de la parte superior y se humedece a medida que pasa por el filtro/mecha. Después el aire humedecido es distribuido en la habitación por el ventilador.

- 1) reservorio del agua
- 2) chasis del motor
- 3) filtro/mecha vaporizador
- 4) entrada de aire seco
- 5) salida de aire húmedo

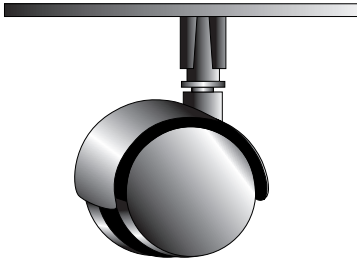
Ubicar el humidificador a 4" de distancia de una pared interior, cerca de un tomacorriente eléctrico. No colocar la unidad frente a ductos de aire caliente o a radiadores.



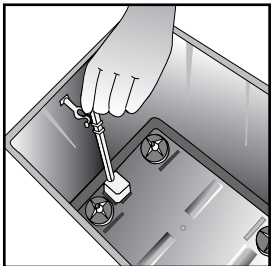
Ensamblaje y Operación

- 1) Sacar el humidificador de la caja.
- 2) Retirar todos los materiales de embalaje. Revisar para ver si se tiene los siguientes artículos antes de descartar el material de embalaje.
 - Filtro/mecha
 - Paquete de ruedas giratorias
 - Levantar la varilla con el flotador de *styrofoam*

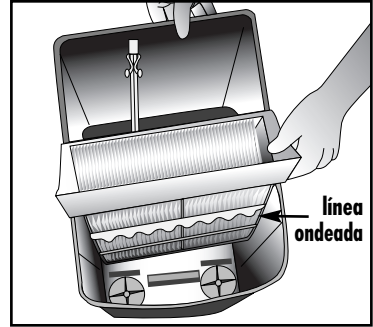
Instalación de las Ruedas:

- 3) Ésta unidad viene equipada con cuatro ruedas giratorias para una mayor comodidad. Para instalar las ruedas, levantar el chasis del gabinete y colocarlo sobre una superficie plana y sólida donde no se vaya a golpear.
- 4) Levantar el bastidor con el filtro/mecha evaporadora y colocarlo a un lado.
- 5) Para evitar dañar el flotador y la varilla elevadora, desenroscar el retén de la varilla elevadora y retirar el conjunto de la varilla elevadora del humidificador. No intentar instalar las ruedas antes de retirar el conjunto de la varilla elevadora y flotador.
- 6) Colocar el gabinete del humidificador en posición invertida.
- 7) Instalar las ruedas insertando su eje en uno de los cuatro orificios pequeños ubicados aproximadamente a 2 pulgadas (5 centímetros) de cada esquina del gabinete del humidificador. Presionar la rueda dentro del orificio tanto como sea posible. No forzarla. Seguir este procedimiento para las cuatro ruedas. Cuando haya terminado, colocar de nuevo el gabinete en la posición correcta.

Ensamblaje del Humidificador:

- 8) Colocar de nuevo el ensamble del flotador con la varilla elevadora adherida dentro del área encuadrada en el fondo del gabinete. Deslizar la varilla elevadora dentro del anillo de retén y enroscarla hasta asegurarla. La varilla debe quedar con libertad para moverse hacia arriba y hacia abajo aproximadamente 3/8" (1.00 cm). El anillo de retén debe quedar ubicado entre las dos costillas de la varilla elevadora.

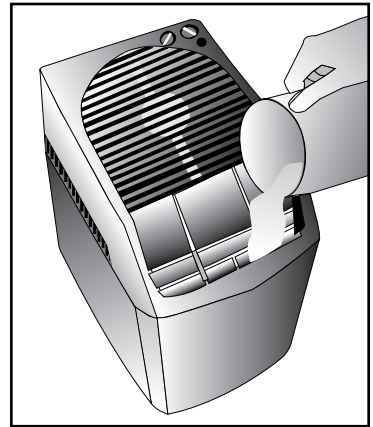
- 9) Colocar de nuevo el bastidor con el filtro/mecha vaporizador dentro de las guías provistas en el fondo del gabinete y a lo largo de las paredes interiores.
- 10) Colocar el chasis dentro del gabinete asegurándose que el chasis se asiente correctamente dentro de los bordes ranurados de la parte anterior y posterior del gabinete.



Nota: Esta línea ondeada es el indicador del nivel de llenado. Al llenar de agua no exceder esta marca.

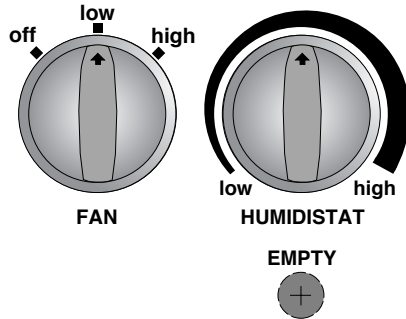
Llenado del Humidificador:

- 1) Antes de llenar con agua el humidificador, asegurarse que el control de velocidad esté apagado, y que el humidificador esté **desconectado**. Llenar el reservorio con agua fría, fresca, preferiblemente no ablandada. Si tan solo tiene disponible agua ablandada en su casa puede utilizarla, pero notará una acumulación más rápida de minerales en el filtro/mecha vaporizador. **Llenar el humidificador hasta el nivel indicado en el filtro/mecha y hasta la calcomanía "Fill to Here" en la pared lateral del gabinete.** No llenar el humidificador en exceso. La porción superior del elemento del filtro/mecha debe permanecer expuesto por encima de la marca indicadora del nivel de llenado. Cuando el humidificador esté lleno, el interruptor del flotador permitirá que el humidificador funcione. El humidificador se apagará automáticamente y el indicador "rellenar" (vacío) se iluminará cuando el nivel de agua caiga al nivel de relleno. El tanque tendrá una capacidad de 6 galones (22,7 Lt.) cuando se llene por primera vez.
- 12) Para eliminar el desarrollo bacteriano, recomendamos usar Bactericida Bemis by Essick Air cada vez que rellene el humidificador. Agregar bactericida siguiendo las instrucciones en la botella.
- 13) La rejilla de salida de aire debe colocarse en la parte frontal del humidificador en el área ranurada provista. Insertar primero el borde inferior.
- 14) Enchufar el cable en el tomacorriente de la pared. El humidificador está listo para ser utilizado. **NOTA:** Si no ha llenado el humidificador con agua, la unidad no funcionará.



Controles - Modelos de la Serie 826:

15) Los modelos 826 900 & 826 800 están equipados con un control para las dos velocidades del ventilador. Usar la velocidad baja (LOW) para una operación silenciosa y la velocidad alta (HIGH) para su producción máxima.

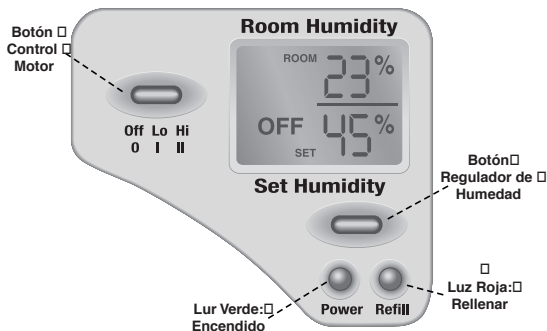


Operación:

16) Ambos modelos tienen un humidistato automático. El humidistato arrancará el humidificador cuando la humedad relativa de su casa esté por debajo del nivel fijado en el humidistato, y apagará el humidificador cuando la humedad relativa alcance el nivel fijado en el humidistato. Para la operación inicial, fijar el humidistato en el medio de la "zona de confort" y desde ese nivel ajustar hacia arriba o hacia abajo hasta obtener el nivel de humedad deseado. En la ilustración anterior se muestra el nivel inicial sugerido. Cuando el humidificador esté funcionando, sentirá aire húmedo fresco e invisible saliendo por la rejilla.

Controles - Modelos de la Serie 821:

17) Los Modelos 821 000 y 821 990 están equipados con un control de dos velocidades para el ventilador. Usar la velocidad baja (LOW) para una operación silenciosa y la velocidad alta (HIGH) para producción máxima de humedad. Estos modelos también tienen un indicador digital de cuarzo líquido (LCD) para la humedad. El sensor del humidistato verifica constantemente la humedad relativa de la habitación y la indica con un valor numérico (%RH). El nivel de humedad (%RH) deseado puede regularse manualmente entre 30 y 90% con el botón "Set Humidity" (regular humedad). Ese valor numérico aparece en la parte inferior del indicador. Se sugiere una graduación inicial de 45% RH.



Operación:

18. El humidistato automático arrancará el humidificador cuando la humedad relativa de la habitación esté por debajo del nivel fijado en el humidistato, y apagará el humidificador cuando la humedad relativa alcance el nivel fijado en el humidistato. Cuando el humidificador esté funcionando se sentirá aire húmedo, fresco e invisible saliendo por la rejilla.
- 19) Cuando se enchufa por primera vez, el indicador digital indicará la Humedad Relativa de la habitación en ese momento y se autoprogramará a una humedad de 45%. Si el tanque no tiene agua, se encenderá la luz roja indicadora "Refill" (rellenar) y el motor no funcionará. Desenchufe el humidificador y rellene el tanque al nivel especificado.
- 20) Cuando se ha llenado el tanque hasta la marca "Fill to Here" en la pared lateral del gabinete y enchufe el cordón al tomacorriente. La luz roja indicadora "Refill" (rellenar) no se encenderá y se puede graduar la velocidad del motor a la velocidad deseada LO (baja) o HI (alta) presionando el botón "OFF LO/HI". La luz verde indicadora "Power" (encendido) se prenderá. Para cambiar la velocidad del motor o para apagar la unidad, presione el botón "OFF LO/HI" repetidamente.
- 21) Si la humedad de la habitación es menor a la que se ha regulado, el motor arrancará, de lo contrario no arrancará. El nivel de humedad deseado puede modificarse con el botón "Set Humidity" (Regulador de Humedad). Presione el botón una vez y el indicador destellará intermitentemente. Presione el botón repetidamente para aumentar la humedad relativa (RH) 5% cada vez y suéltelo al llegar al nivel deseado (entre 30 y 90%). Si se suelta el botón y luego se presiona cuando está intermitente, el indicador avanzará rápidamente por el rango de 30 a 90% (RH). Para salir del modo de avance automático, suelte el botón.
- 22) Después que el botón "Set Humidity" (Regulador de Humedad) ha estado inactivo por tres (3) segundos, saldrá del modo "Set Humidity" (Regular humedad) manteniendo el último valor de humedad relativa programado en el indicador.

PRECAUCIÓN: Bajo ciertas condiciones, los objetos fríos en la habitación, tales como ventanas y paredes exteriores pueden hacer que la humedad se condense. La condensación severa en marcos de ventanas y paredes puede causar daño por agua. Cuando existan éstas condiciones, se recomienda fijar el humidistato en un nivel más bajo.

Cuidado y Mantenimiento

IMPORTANTE: Recomendamos limpiar su humidificador cada dos semanas. Seguir las Instrucciones.

Los humidificadores proporcionan confort añadiendo humedad al aire seco y caliente en recintos encerrados. Para obtener el mayor beneficio de su humidificador y evitar su mal uso, seguir cuidadosamente todas las instrucciones, en particular las instrucciones de operación, cuidado y mantenimiento. Por favor tomar nota que este es un artefacto eléctrico y requiere de atención cuidadosa cuando está en uso. Además, si no sigue las instrucciones de cuidado y mantenimiento recomendadas, existe la posibilidad de que los microorganismos se desarrollen en el agua dentro del reservorio del humidificador.

PRECAUCIÓN: Desconectar la energía eléctrica antes de limpiar o darle servicio a la unidad.

- 1) Apagar la unidad girando el control de velocidad del ventilador a la posición de apagado (OFF).
- 2) Desconectar el cable de electricidad del tomacorriente en la pared.
- 3) Levantar el chasis con la rejilla de salida sacándola del gabinete y colocarla sobre una superficie sólida y plana donde no vaya a golpearse. Ser muy cuidadoso para evitar dañar la varilla interna de flotación.

Limpieza del Tanque de Agua:

- 4) Levantar cuidadosamente el bastidor con el filtro/mecha, permitiendo que el agua del filtro drene al reservorio. Colocar el bastidor con el filtro/mecha en un sumidero hasta que termine de drenar. **Manipule la mecha cuidadosamente, el papel es frágil cuando está mojado.**
- 5) Retirar el conjunto de la varilla elevadora y flotador. (Para las instrucciones ver la Sección de Ensamblaje).
- 6) Eliminar cualquier residuo de agua en el tanque. Después de evacuar el agua, añadir 1 galón (3,75 Lt.) de agua fresca tibia y 8 Onz. (236 ml.) de vinagre blanco puro. Limpiar todas las superficies interiores utilizando un cepillo suave y la solución limpiadora. Dejar que la solución repose por 20 minutos. Retirar la solución y limpiar el fondo con un paño suave sumergido en vinagre blanco para remover las calcificaciones que hayan quedado.

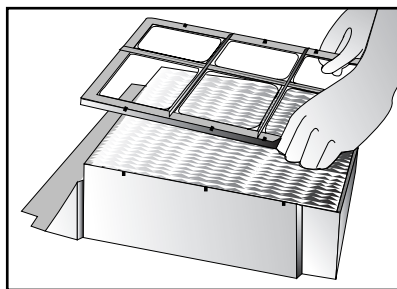
- 7) Antes de desinfectar el gabinete para evitar que se desarrollen microorganismos que pueden causar problemas respiratorios, enjuagar el reservorio de agua completamente con agua fresca tibia para eliminar cualquier residuo de calcificaciones y de solución limpiadora.

Desinfección del Tangue de Agua:

- 8) Llenar el reservorio con una mezcla conteniendo una cucharada pequeña de blanqueador de cloro y un galón de agua. Dejar que la solución repose por 20 minutos, moviéndola a intervalos de varios minutos. Mojar todas las superficies.
- 9) Vaciar el reservorio de agua después de 20 minutos. Enjuagarlo con agua hasta que el olor a blanqueador haya desaparecido. Secar con un paño limpio o con toallas de papel.
- 10) Volver a colocar el bastidor del filtro/mecha en las guías ubicadas dentro del gabinete.
- 11) Volver a colocar el ensamble del flotador y varilla elevadora.
- 12) Volver a colocar el chasis dentro del gabinete, asegurándose que se asiente correctamente en los bordes ranurados anterior y posterior del gabinete.
- 13) Llenar el deposito con agua fresca hasta la marca para el nivel de llenado y colocar la rejilla de salida.
- 14) Volver a enchufar el cordón en un tomacorriente polarizado de 120 voltios CA.
- 15) Ajustar los controles del humidificador al nivel deseado.

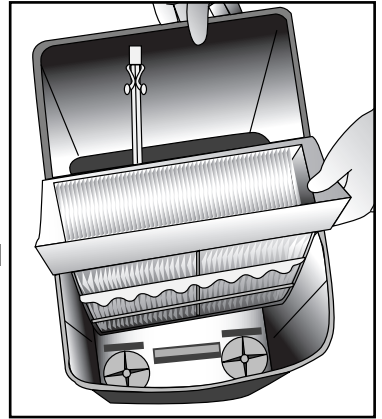
Filtro/Mecha Vaporizador:

Recomendamos reemplazar el filtro/mecha por lo menos una vez por temporada, y más frecuentemente en áreas con aguas duras. Cuando el filtro/mecha se encuentre excesivamente obstruido con depósitos minerales, desecharlo para recuperar la eficiencia de su humidificador con un nuevo filtro/mecha marca Bemis by Essick Air número 1043 que es compatible con todos los humidificadores de consola. Llamar 1-800-547-3888 para ordenar. Solamente los filtros/mecha Bemis by Essick Air garantizan la capacidad de su humidificador. El uso de otros filtros/mecha anulará la garantía y puede reducir la capacidad de su humidificador.



Desmontaje del bastidor

Reemplazo del Filtro/Mecha



- 16) Sacar la mecha vieja del bastidor desenganchando cuidadosamente los seguros de la parte posterior del bastidor (ver la ilustración). Desechar la mecha vieja e insertar la nueva en el bastidor frontal. El filtro/mecha funcionará correctamente sin importar la dirección del mismo en el bastidor (no existe parte anterior, posterior, superior o inferior). Una vez que el filtro/mecha esté en el bastidor, asegurar de nuevo los ganchos de fijación, para completar el ensamblaje.
- 17) Luego el bastidor se encaja entre las guías en ambos lados del humidificador. (El filtro/mecha y el bastidor cubrirán la mayor parte del ancho del humidificador). La porción del bastidor del filtro/mecha que sobresale del resto se coloca hacia la parte frontal del humidificador. (El filtro/mecha quedará colocado más cerca de la parte posterior del humidificador).

Almacenamiento Durante el Verano:

- 18) Limpiar la unidad como se indicó anteriormente.
- 19) Eliminar el filtro/mecha usado.
- 20) Permitir que la unidad se seque por completo antes de almacenarla. No almacenar la unidad si tiene agua en su interior.
- 21) No almacenar la unidad en áticos u otras áreas donde existan altas temperaturas.
- 22) Limpiar el humidificador e instalar el nuevo filtro/mecha evaporizador Bemis by Essick Air antes que comience la siguiente temporada. Solamente los filtros/mecha evaporizadores Bemis by Essick Air garantizan la capacidad nominal de su humidificador. En la parte posterior de este manual puede encontrar un formulario para ordenar filtros/mecha y accesorios.

ADVERTENCIA: La parte superior de la caja no contiene partes a las cuales el cliente pueda dar mantenimiento. Para reducir el riesgo de descarga eléctrica, no intentar abrir la cubierta del cableado eléctrico. Las reparaciones eléctricas deben ser realizadas por una Estación de Servicio autorizada. Los intentos para reparar o reemplazar componentes eléctricos anularán su garantía.

Diagnóstico de Problemas

1) La unidad no funciona en ningún nivel de velocidad:

- El cordón polarizado debe insertarse completamente en el tomacorriente de la pared.
- Inspeccionar si el interruptor por el relleno de agua está actuando. Desenchufe la unidad, saque el chasis del motor, póngalo a un lado y mueva la palanca del interruptor del nivel de agua. Si no se escucha un "clic", el interruptor podría necesitar servicio.
- El Humidistato no está bien regulado, graduarlo a un nivel más alto.
- Revisar el recorrido del flujo del aire. ¿Existen obstrucciones que eviten el movimiento de las aspas del ventilador?
- El motor contiene un fusible sensible a la temperatura. Si el motor se sobrecalienta, el fusible puede desconectar la unidad. Desenchufar la unidad y ponerse en contacto con la estación de servicio autorizada más cercana. **NO INTENTAR** reparar el motor usted mismo.

2) No produce suficiente humedad:

- Este es un humidificador vaporizador. La humedad es invisible.
- Revisar el estado del filtro/mecha vaporizador. Reemplazarlo si está saturado, o endurecido por los minerales.
- El reservorio de agua puede estar vacío, rellenarlo.

3) Demasiada humedad:

Cuando la condensación se vuelve excesiva sobre las superficies frías de la habitación, bajar el nivel de humedad en el humidistato o aumentar la temperatura de la habitación.

4) Fugas de agua:

Se ha llenado el gabinete con demasiada agua. Para su seguridad, el gabinete tiene un orificio de desfogue en la parte posterior. El nivel adecuado de agua está marcado en el bastidor de la mecha y en la pared lateral del gabinete.

5) Olor:

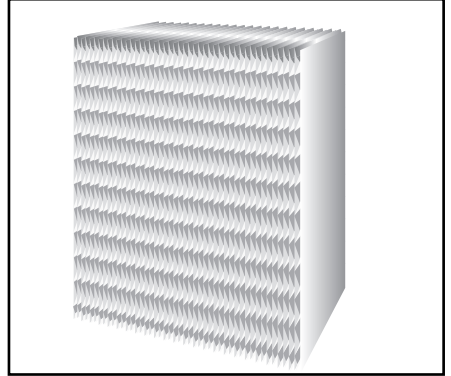
Limpie y desinfecte el tanque del gabinete siguiendo las INSTRUCCIONES PARA LA LIMPIEZA Y DESINFECCIÓN a continuación. Para ayudar a eliminar los olores desagradables, recomendamos usar el Tratamiento Bactericida Bemis by Essick Air.

- 6) El módulo electrónico en los modelos de la serie 821 no contiene piezas a las cuales el usuario pueda darles servicio. Llame al Dpto. de Servicios al Cliente de Bemis by Essick Air para pedir asistencia.

Accesorios

Filtro/Mecha Evaporizador

Modelo 1043. El Filtro/Mecha reemplazable absorbe agua continuamente y la convierte en vapor mientras va filtrando los residuos minerales. Reduce la acumulación de calcificaciones en la unidad. Solamente los filtros/mecha Bemis by Essick Air están certificados por UL y AHAM para obtener el rendimiento certificado de su Humidificador Bemis by Essick Air.



Tratamiento para Bacterias

Tratamiento para Bacterias No. 1970 - 32 onz. (0.95 lt). Controla el desarrollo de bacterias en los humidificadores. Ayuda a eliminar los olores desagradables.





BY **ESSICK**

DIVISIÓN DE CONFORT PARA EL HOGAR GARANTÍA LIMITADA DE UN AÑO

La garantía del Humidificador Bemis by Essick Air cubre defectos de materiales y de mano de obra por un período de un año a partir de la fecha de compra al por menor. Esta garantía se aplica únicamente al comprador original del producto.

Dentro de los primeros 12 meses a partir de la fecha de compra, Essick Air reparará o reemplazará, a su discreción, cualquier parte defectuosa del humidificador cubierto por esta garantía.

Esta garantía le otorga derechos legales específicos, y usted podría tener otros derechos los cuales varían de un estado a otro y de una provincia a otra.

Esta garantía no cubre los daños ocasionados por mal uso o abuso del humidificador, accidentes o alteraciones al producto, uso comercial o daño durante el envío. El mal uso incluye los malos funcionamientos ocasionados por negligencia en el procedimiento de limpieza, o partes obstruidas con depósitos minerales debido a la presencia de condiciones de agua dura. Las alteraciones al producto incluyen la sustitución de componentes con otros de marca diferente a Bemis by Essick Air, incluyendo pero no limitándose a los filtros/mecha vaporizadores.

Si es necesario hacerle servicio, llevar o enviar la unidad a cualquier Estación de Servicio Bemis by Essick Air.



BY **ESSICK**

Essick Air Products, Inc.

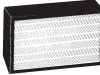
5800 Murray Street
Little Rock, AR 72209
501.562.1094



FORMULARIO PARA ORDENAR ACCESORIOS

Para mantener su humidificador en condiciones óptimas de operación, use sólo repuestos Bemis by Essick Air. Sólo las mechas de repuesto Bemis by Essick Air garantizan que su humidificador mantenga la capacidad original certificada por AHAM.

No. 1041
Supermecha para humidificadores de consola y credenza Serie 400 y 600.
\$15.99



No. 1045
Supermecha para humidificadores de consola Serie H12.
\$18.99

No. H4000
Forro antipolvo para humidificadores de consola serie 400
\$6.99



No. 1051
Filtro de aire para humidificadores de consola y de mesa Serie 400 y 600.
\$17.99

No. 1043
Supermecha para humidificadores Ahorradores de Espacio de consola Serie 800.
\$12.99



• Sólo el filtro, no incluye el marco.

No. 1970
Bactericida, 946ml (32 Onz.)
\$5.99



• Ayuda a eliminar la bacteria y la acumulación de algas.
• Se recomienda para los humidificadores Bemis y todos los otros humidificadores vaporizadores.



No. 1990
Hidrómetro digital/Sensor de confort
\$25.99
• Monitorea en forma digital la temperatura y humedad.

No. 1961
Limpiador de humidificadores, 946ml (32 Onz.)
\$3.99
• Ayuda a quitar el sarro acumulado.
• Ayuda a limpiar el humidificador.

Art.	Descripción	Cart.	Unidad Precio	Monto
1041	Supermecha para humidificadores de consola y credenza Serie 400 y 600.		\$ 15.99	
1043	Supermecha para humidificadores Ahorradores de Espacio de consola Serie 800.		\$ 12.99	
1045	Supermecha para humidificadores de consola Serie H12		\$ 18.99	
1051	Filtro de aire para humidificadores de consola y de mesa Serie 400 y 600		\$ 17.99	
1961	Limpiador de humidificadores, 946ml (32 Onz.)		\$ 3.99	
1970	Bactericida, 946ml (32 Onz.)		\$ 5.99	
H4000	Forro para proteger humidificadores de consola serie 400 contra el polvo en el verano		\$ 6.99	
1990	Hidrómetro digital/Sensor de confort		\$ 25.99	

Tarifas para despachos	
\$0.00 - 19.99 . . .	\$4.00
\$20.00 - 49.99 . . .	\$6.00
\$50.00 - 99.99 . . .	\$8.00
\$100.00+ . . .	\$10.00

Total por la mercadería _____

Residentes de CT agregar impuesto de 6% _____

Flete y Manipuleo _____

Total de la factura _____

Source Code	Revised
BEM 110	05/03/04

Nombre: _____

Dirección: _____

Ciudad: _____ Estado/Prov.: _____ Cod. Postal _____

Numero de teléfono: _____

Correo-e: _____

Ajunto mi: _____

Cheque u orden de Pago (en moneda de EE.UU.) a la orden de:

BEMIS BY ESSICK AIR

Visa/MasterCard

American Express

Discover

Tarjeta No.: _____

Firma: _____

Fecha de Expiración: _____

Órdenes por internet: www.bemis-parts-store.com

Órdenes por teléfono: • Llamar gratis al 1-800-547-3888
• Ordenes mínimas de \$15.00

Órdenes por correo: **BEMIS BY ESSICK AIR CONSUMER SERVICES**
20 Constitution Boulevard, South
P.O. Box 884
Shelton, CT 06484-0884

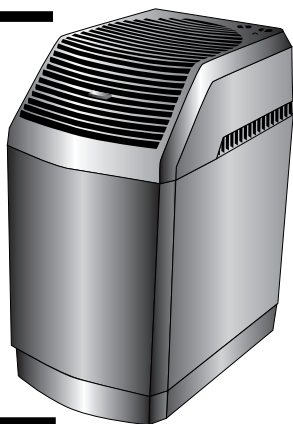
Las órdenes se despachan dentro de las 24 horas.

Para fuera de los EE.UU. Continental, llamar a preguntar por los cargos por flete.

LIRE ATTENTIVEMENT CES DIRECTIVES
ET LES CONSERVER.

BEMIS Humidificateur
évaporateur
BY **ESSICK**

GUIDE D'UTILISATION ET D'ENTRETIEN DU PROPRIÉTAIRE



Modèles :

- 826 800 Blanc
à deux vitesses
- 826 900 Glace et Neige
à deux vitesses
- 821 000 Blanc, deux vitesses,
humidstat numérique
- 821 990 Blanc, deux vitesses,
humidstat numérique,
avec hygromètre



BEMIS
BY **ESSICK**

PROTÉGER L'ENVIRONNEMENT
RECYCLER LES MATIÈRES APPROPRIÉES.

Brevets : 5,037,583 ; 5,110,511 ; 5,133,904
Autres brevets en instance.

Mesures de sécurité importantes

LIRE ATTENTIVEMENT AVANT D'UTILISER L'HUMIDIFICATEUR

- 1) Cet appareil est muni d'une fiche polarisée (une lame est plus large que l'autre). Pour réduire les risques de chocs électriques, cette fiche a été conçue pour s'insérer, d'une seule façon, dans une prise polarisée de 120 volts c.a., d'une puissance de 15 ampères. Si la fiche ne s'insère pas complètement dans la prise, retourner la fiche. Si elle ne s'insère toujours pas, communiquer avec un électricien qualifié. Ne pas tenter de contourner cette caractéristique de sécurité. Si l'utilisation d'une rallonge est nécessaire, celle-ci doit également accepter la lame large de la fiche et se conformer aux valeurs nominales d'électricité mentionnées.
- 2) Ne pas placer le cordon électrique sous un tapis, dans un endroit passant ou près d'une source de chaleur.
- 3) Ne pas utiliser l'humidificateur si le cordon est endommagé.
- 4) **Afin de réduire le risque de chocs électriques, toujours débrancher le cordon d'alimentation avant de remplir, de nettoyer ou d'entretenir l'appareil ou encore lorsque celui-ci n'est pas utilisé.**
- 5) Ne pas placer l'humidificateur près de rideaux longs, de matières combustibles ou d'objets dégageant de la chaleur.
- 6) Cet humidificateur est approuvé par le UL avec le filtre à mèche d'évaporation de marque Bemis by Essick Air en place. Pour maintenir votre classification UL, voir le centre de service de la région pour toute réparation. N'utiliser que les produits chimiques et les filtres à mèche de marque Bemis by Essick Air en remplacement. Pour placer une commande de pièces, de filtres à mèche ou de produits chimiques, composer le 1-800-547-3888
- 7) Un nettoyage régulier est requis. Consultez le chapitre intitulé SOINS ET ENTRETIEN de ce guide.



Introduction

L'humidificateur de Bemis by Essick Air ajoute une humidité invisible dans la maison en faisant passer l'air sec à travers un filtre à mèche saturé d'eau. Au fur et à mesure que l'air passe à travers le filtre à mèche, l'eau s'évapore dans l'air en laissant derrière toutes poussières blanches, minéraux et solides dissous ou en suspension. Étant donné que l'eau est évaporée, il n'y a aucune vaporisation d'eau ni brumes salissantes et aucunes poussières blanches; il n'y a que de l'air humidifié, propre et invisible.

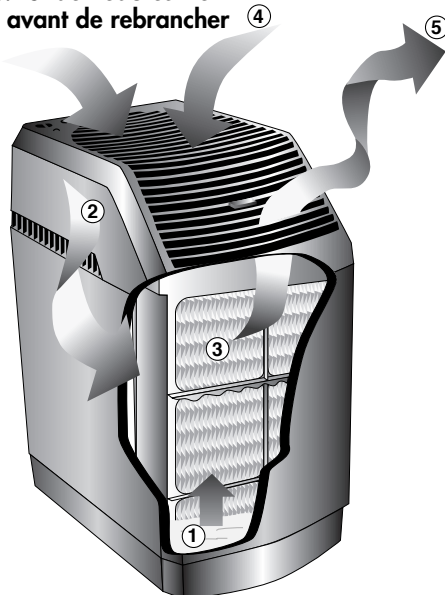
Au fur et à mesure que le filtre à mèche d'évaporation emprisonne et accumule les minéraux contenus dans l'eau, sa capacité d'absorption et d'évaporation diminue. Nous recommandons de changer le filtre à mèche au moins une fois par an; de préférence, en éliminant le filtre à mèche usé à la fin de la saison d'humidification et en commençant la saison d'humidification suivante avec un nouveau filtre à mèche. Dans les régions où l'eau est dure, un remplacement plus fréquent peut être nécessaire pour maintenir l'efficacité de l'humidificateur.

MISE EN GARDE : Nous recommandons l'utilisation du traitement contre les bactéries Bemis by Essick Air Bacteria Treatment ou d'un produit similaire à chaque remplissage du réservoir afin d'éliminer la croissance éventuelle de bactéries. Suivre les directives pour déterminer la quantité appropriée à ajouter au réservoir de 22,74 L (6 gallons). Le filtre à mèche ne requiert pas l'emploi de traitements de l'eau du genre utilisant des agents de chélation qui sont conçus pour les humidificateurs munis d'un centrifugeur ou d'une roue hydraulique. L'humidificateur est muni d'un réservoir de 22,74 L (6 gallons). L'appareil a été conçu avec une sortie de rendement de 30,32 L (8 gallons) aux 24 h. Lorsque le réservoir est vide, la lampe-témoin de remplissage s'allume. Le ventilateur de l'humidificateur s'arrête automatiquement. **Pour plus de sécurité, débrancher l'humidificateur avant chaque remplissage. Si de l'eau est renversée sur le châssis du moteur, l'éponger avant de rebrancher l'humidificateur après le remplissage.**

L'air sec est tiré à l'intérieur de l'humidificateur en passant par le dessus de l'appareil. L'air est humidifié au fur et à mesure qu'il passe à travers le filtre à mèche d'évaporation. Il est ensuite poussé à l'extérieur par le ventilateur.

- 1- Réservoir
- 2- Châssis du moteur
- 3- Filtre à mèche d'évaporation
- 4- Entrée de l'air sec
- 5- Sortie de l'air humidifié

Placer l'humidificateur à au moins 10,2 cm (4 po) d'un mur intérieur, près d'une prise de courant. Ne pas placer l'humidificateur directement devant une bouche d'air chaud ou d'un radiateur.

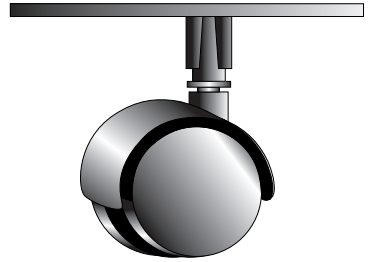


Assemblage et Fonctionnement

- 1) Déballez l'humidificateur.
- 2) Enlever toutes les matières d'emballage. Vérifier pour s'assurer que tous les articles suivants sont compris avant de jeter l'emballage :
 - Filtre à mèche d'évaporation
 - Ensemble de roues
 - Assemblage de la tige de soulèvement avec flotteur en styrofoam

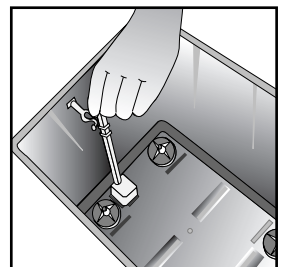
Installation des roues :

- 3) Cet appareil est fourni avec quatre roues par souci de commodité. Pour installer les roues, retirer le châssis du boîtier et le placer sur une surface plane et dure, là où il n'y a aucun danger de s'y heurter.
- 4) Retirer du boîtier le montage du filtre à mèche d'évaporation et le mettre de côté.
- 5) Pour éviter de causer des dommages au flotteur et à la tige de soulèvement, défaire le garde de la tige de soulèvement et enlever l'assemblage de la tige de soulèvement du boîtier de l'humidificateur. Ne pas tenter de poser les roues avant de retirer l'assemblage de la tige de soulèvement.
- 6) Retourner l'humidificateur à l'envers.
- 7) Installer les roues en insérant une tige de roue dans les quatre petits orifices situés à 5,08 cm (2 po) environ de chaque coin du boîtier de l'humidificateur. Enfoncer les roues aussi loin que possible. Ne pas forcer. Suivre cette étape pour les quatre roues. Remettre le boîtier à l'endroit une fois terminé.

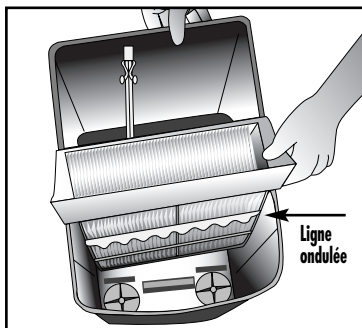


Assemblage de l'humidificateur :

- 8) Replacer l'assemblage du flotteur et fixer la tige de soulèvement dans le compartiment situé au fond du boîtier. Glisser la tige de soulèvement dans l'anneau de garde et faire un tour pour fixer. La tige de soulèvement devrait pouvoir se déplacer librement de haut en bas (Jeu de 0,95 cm (3/8 de po) environ). L'anneau de garde devrait se trouver entre les deux rainures de la tige de soulèvement.



- 9) Remettre le montage du filtre à mèche d'évaporation dans les guides situés au fond du boîtier et dans les nervures, sur les parois du boîtier.
- 10) Placer le châssis dans le boîtier en s'assurant qu'il est adéquatement inséré dans les rainures avant et arrière du boîtier.

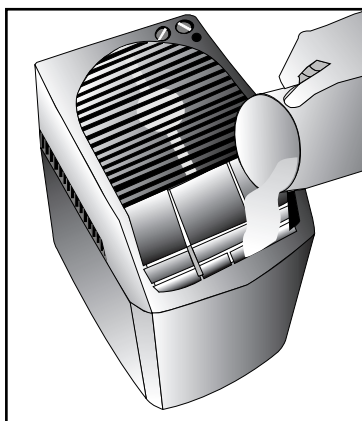


Remarque : La ligne ondulée représente la marque d'indication du niveau d'eau pour le remplissage. Ne pas remplir au-delà de cette marque.

Remplissage de l'humidificateur :

- 11) Avant de remplir l'humidificateur d'eau, s'assurer que le bouton de réglage de vitesse est en position d'arrêt et que l'humidificateur est débranché. Remplir le réservoir avec de l'eau fraîche de préférence, une eau non adoucie. S'il n'y a que de l'eau adoucie de disponible à la maison, celle-ci peut être utilisée mais l'accumulation de minéraux sur le filtre à mèche se formera beaucoup plus rapidement.

Remplir l'humidificateur au niveau indiqué sur le montage du filtre et jusqu'à l'autocollant « Fill to here » sur la paroi latérale du boîtier. Ne pas trop remplir l'humidificateur. La partie supérieure du filtre à mèche doit demeurer exposée, au-dessus de la

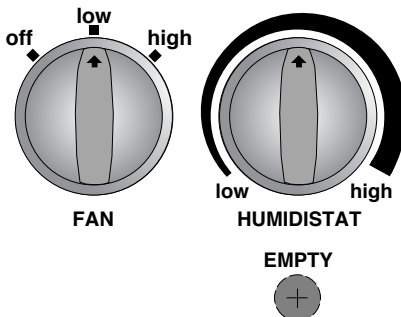


marque d'indication du niveau d'eau. Une fois l'humidificateur rempli, le commutateur-interrupteur de flottation permettra le fonctionnement de l'humidificateur. Lorsque le niveau d'eau s'abaisse au niveau de remplissage, l'humidificateur s'éteint automatiquement et la lampe-témoin "refill" s'allume. Lors du remplissage initial, la capacité du réservoir est de 6 gallons.

- 12) Nous recommandons d'utiliser le traitement contre les bactéries Bemis by Essick Air Bacteria Treatment à chaque remplissage de l'humidificateur afin d'éliminer la croissance éventuelle de bactéries. Ajouter le bactériostat selon les directives inscrites sur la bouteille.
- 13) La grille de sortie d'air doit être placée à l'avant de l'humidificateur dans l'espace renfoncé. Insérer le bas d'abord.
- 14) Brancher le cordon dans la prise murale. L'humidificateur est prêt à fonctionner. **REMARQUE :** Si l'humidificateur n'est pas rempli d'eau, il ne fonctionnera pas.

Réglages - Modèles série 826 :

- 15) Les modèles 826 900 et 826 800 possèdent un bouton de réglage à deux vitesses pour le ventilateur. Utiliser la vitesse faible pour un mode de fonctionnement silencieux ou une vitesse plus élevée pour un rendement maximal.

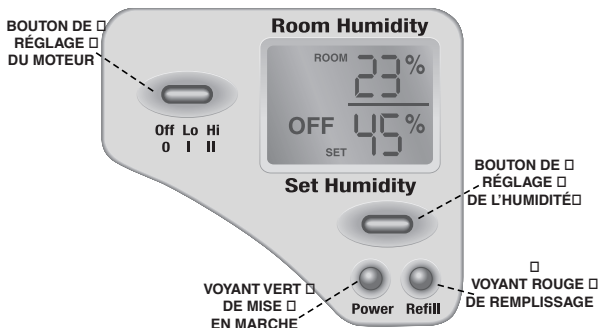


Fonctionnement :

- 16) Les deux modèles sont munis d'un hygrostat automatique. L'hygrostat met l'appareil en marche lorsque l'humidité relative de la pièce est inférieure au réglage établi et éteint l'appareil lorsque l'humidité relative atteint le taux d'humidité voulu. Pour le fonctionnement initial, régler l'hygrostat au milieu, à la « zone de confort » et à partir de là, ajuster un peu plus haut ou un peu plus bas pour atteindre le taux d'humidité voulu. Le réglage initial suggéré est montré dans le schéma plus haut. Lorsque l'humidificateur est en fonction, un air frais, invisible et humide se dégage de la grille de sortie.

Réglages - Modèles série 821 :

- 17) Les modèles 821 000 et 821 990 sont munis d'un commutateur de commande du ventilateur à deux vitesses. Utilisez le réglage bas pour un fonctionnement silencieux et le réglage élevé pour un débit au maximum. Ces modèles sont également dotés d'un humidistat numérique et d'un afficheur ICD. Le senseur de l'humidistat surveille en tout temps l'humidité relative (% RH) de la pièce et affiche le résultat dans le haut de l'afficheur. Le niveau d'humidité désiré (% RH) peut être réglé manuellement entre 30 et 90 % à l'aide du bouton « Set Humidity ». Le numéro est indiqué au bas de l'afficheur. Le réglage initial suggéré est de 45 % RH.



Fonctionnement :

- 18) L'humidistat automatique met l'humidificateur en marche lorsque l'humidité relative dans la pièce tombe sous le niveau voulu (selon le réglage sur l'humidistat) et l'arrête lorsque l'humidité relative atteint le niveau voulu. Lorsque l'humidificateur est en marche, vous sentirez de l'air frais, invisible et humide émanant de la grille de sortie d'air.
- 19) Lorsque l'humidificateur est initialement branché, l'afficheur indique le niveau d'humidité actuel dans la pièce et passe par défaut au réglage de 45 % d'humidité. Si le réservoir ne contient pas d'eau, l'indicateur rouge marqué " Refill " s'allume et le moteur ne démarre pas. Il vous faut alors débrancher l'humidificateur et le remplir jusqu'au niveau d'eau précisé.
- 20) Après le remplissage du réservoir jusqu'à la ligne « Fill to here » sur la paroi latérale du boîtier, brancher le cordon d'alimentation. L'indicateur « Refill » ne sera plus allumé et la vitesse du moteur pourra être réglée au niveau BAS (« LO ») ou ÉLEVÉ (« HIGH ») en appuyant sur le bouton « OFF LO/HI ». L'indicateur vert de mise en marche s'allumera. Pour changer la vitesse du moteur ou pour arrêter l'humidificateur, appuyer à plusieurs reprises sur le bouton « OFF LO/HI ».
- 21) Si l'humidité dans la pièce est inférieure au niveau d'humidité réglé dans l'humidistat, le moteur se mettra en marche. Si elle y est supérieure, le moteur ne se mettra pas en marche. Le niveau désiré d'humidité peut être changé à l'aide du bouton de réglage de l'humidité (« Set Humidity »). Appuyer une seule fois sur le bouton pour faire clignoter l'afficheur. Appuyer sur le bouton à plusieurs reprises pour faire hausser le niveau d'humidité en tranches de 5 % d'humidité relative (« RH »). Lorsque le niveau d'humidité désiré est atteint (entre 30 % et 90 % RH), relâcher le bouton. Si le bouton est relâché et ensuite tenu enfoncé pendant que clignote l'afficheur, l'afficheur avancera rapidement dans la gamme des réglages de niveaux (10 - 90 % RH). Pour sortir du mode d'avance rapide, relâcher le bouton.
- 22) Si le bouton de réglage d'humidité demeure inactif pendant trois (3) secondes, le mode de réglage est annulé et l'humidificateur demeure au dernier mode programmé apparaissant sur l'afficheur.

MISE EN GARDE : Dans certaines conditions, les surfaces froides dans la pièce telles que les fenêtres et les murs extérieurs peuvent provoquer la condensation de l'humidité. Une forte condensation sur le bord des fenêtres et les murs peut causer des dégâts d'eau. Dans un tel cas, il est recommandé d'abaisser le réglage de l'hygrostat.

Soins et Entretien

Important : Nous recommandons de nettoyer l'humidificateur aux deux semaines. Suivre les directives.

Les humidificateurs fournissent du confort en ajoutant de l'humidité à l'air sec d'une pièce chauffée. Afin de tirer le maximum d'avantages de l'humidificateur et d'éviter une mauvaise utilisation du produit, suivre attentivement toutes les directives, particulièrement celles qui portent sur le fonctionnement, les soins et l'entretien de l'appareil. Il est à noter que l'humidificateur est un appareil électrique; par conséquent, il doit être utilisé avec précautions. De plus, le fait de ne pas suivre les directives recommandées dans les Soins et Entretien de l'appareil risque de favoriser la croissance de micro-organismes dans l'eau du réservoir de l'humidificateur.

MISE EN GARDE : Débrancher l'appareil avant tout nettoyage ou entretien.

- 1) Éteindre l'appareil en tournant le bouton de réglage de l'hygrostat et de la vitesse du ventilateur en position d'arrêt.
- 2) Débrancher le cordon électrique de la prise murale.
- 3) Retirer le châssis avec la grille de sortie du boîtier et les placer sur une surface plane et dure, là où il n'y a aucun danger de se heurter contre ces pièces. Agir avec précautions afin d'éviter tout dommage au levier du flotteur interne.

Nettoyage du réservoir d'eau :

- 4) Soulever délicatement le montage du filtre à mèche du boîtier tout en le laissant s'égoutter dans le réservoir d'eau. Placer le montage du filtre à mèche dans l'évier pour compléter la vidange de l'eau. **Manipuler soigneusement le filtre à mèche : le papier mouillé est délicat.**
- 5) Enlever l'assemblage de la tige de soulèvement et du flotteur (Voir les directives dans le chapitre portant sur l'Assemblage).
- 6) Vider toute eau restante dans le réservoir. Une fois l'eau vidée, ajouter 1 gallon d'eau fraîche tempérée et 8 oz de vinaigre blanc non dilué. Une fois l'eau vidangée, ajouter une solution de 3,79 L (1 gallon) d'eau pure et tiède et d'une tasse (8 oz) de vinaigre blanc pur. Nettoyer toutes les surfaces internes à l'aide d'une brosse à poils souples et de la solution nettoyante. Laisser agir la solution pendant 20 minutes. Enlever la solution et essuyer le fond de l'appareil avec un chiffon doux préalablement mouillé de vinaigre blanc afin d'éliminer toute trace de calcaire.

- 7) Rincer abondamment avec de l'eau pure et tiède pour éliminer le calcaire et la solution nettoyante avant de désinfecter le boîtier afin de prévenir la croissance éventuelle de micro-organismes qui peuvent créer des problèmes respiratoires.

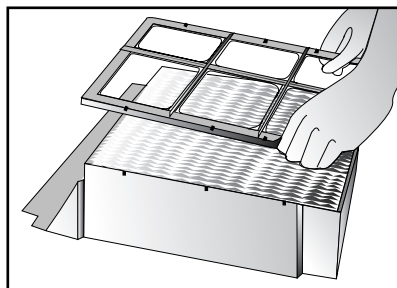
Désinfection du réservoir d'eau :

- 8) Remplir le réservoir d'eau avec un mélange contenant une cuillerée à thé de produit à blanchir au chlore et un gallon d'eau. Laisser agir la solution pendant 20 minutes, en remuant de temps à autre. Mouiller toutes les surfaces.
- 9) Vider le réservoir après 20 minutes. Rincer avec de l'eau jusqu'à disparition de l'odeur de chlore. Essuyer avec un chiffon propre ou un essuie-mains.
- 10) Replacer le montage du filtre à mèche dans les nervures qui se trouvent dans le boîtier.
- 11) Remettre l'assemblage de la tige de soulèvement et du flotteur.
- 12) Replacer le châssis dans le boîtier en s'assurant qu'il repose parfaitement dans les rainures avant et arrière du boîtier.
- 13) Remplir le réservoir d'eau fraîche jusqu'à la marque indiquant le plein niveau et remettre la grille de sortie.
- 14) Rebrancher la fiche dans une prise polarisée de c.a. de 120 volts.
- 15) Régler l'hygrostat au taux désiré.

Filtre à mèche d'évaporation :

Nous recommandons de remplacer le filtre à mèche au moins une fois par saison et plus souvent, dans les régions où l'eau est dure. Lorsque le filtre à mèche semble excessivement obstrué par des dépôts de minéraux, le jeter et rétablir l'efficacité de l'humidificateur en mettant un filtre à mèche neuf. Le numéro 1043 de filtre à mèche

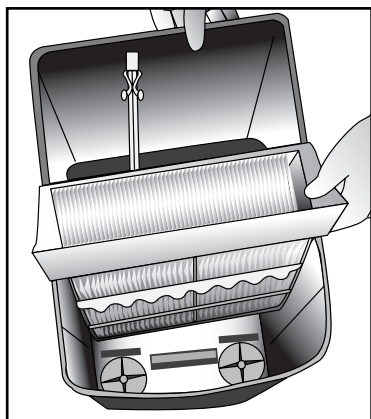
d'évaporation de Bemis by Essick Air convient à tous les humidificateurs à console. Pour placer une commande, composer le 1-800-547-3888. Seule l'utilisation de filtres à mèche de Bemis by Essick Air garantit le rendement certifié à la sortie de votre humidificateur. L'utilisation de mèches autres que de Bemis by Essick Air annule la garantie et peut réduire le rendement à la sortie de l'humidificateur.



Démontage du châssis

Remplacement du filtre à mèche :

16) Retirer l'ancien filtre à mèche du montage en dégageant soigneusement les crochets du montage à l'arrière du montage (voir l'illustration). Jeter l'ancien filtre à mèche. Le nouveau filtre s'insère dans la partie avant du montage. Le filtre à mèche fonctionne adéquatement, peu importe le sens qui lui est donné dans le montage (il n'y a pas de haut, de bas, d'avant ni d'arrière). Une fois que le filtre à mèche est en place, refermer les crochets du montage pour terminer l'assemblage.



17) Le montage s'ajuste entre les nervures situés sur les côtés de l'humidificateur. (Le filtre à mèche et le montage couvre presque toute la largeur de l'humidificateur). La partie surélevée du montage se place à l'avant de l'humidificateur. (Le filtre à mèche est, par conséquent, placé un peu plus vers l'arrière de l'humidificateur).

Entreposage lors de la saison estivale :

- 18) Nettoyer l'appareil tel qu'indiqué plus haut.
- 19) Jeter le filtre à mèche usé.
- 20) Laisser sécher l'appareil complètement avant l'entreposage. Ne pas entreposer avec de l'eau dans l'appareil.
- 21) Ne pas entreposer l'appareil dans le grenier ou dans un endroit où la température est élevée.
- 22) Nettoyer l'humidificateur et installer un nouveau filtre à mèche de Bemis by Essick Air avant le début de la saison suivante. Seule l'utilisation de filtres à mèche d'évaporation garantit le rendement certifié à la sortie de l'humidificateur. Un bon de commande pour les mèches et accessoires se trouve à l'arrière de ce guide.

AVERTISSEMENT : Le dessus du boîtier ne comprend aucune pièce pouvant faire partie du service après-vente. Pour réduire les risques de chocs électriques, ne pas tenter d'ouvrir le couvercle sous lequel se trouve le montage des fils. Toute réparation électrique doit être faite par un centre de service autorisé. Toute tentative de réparation ou de remplacement des composants électriques de cet appareil annule la garantie.

Guide de dépannage

1) L'appareil ne fonctionne pas quel que soit le réglage :

- La fiche polarisée doit être complètement insérée dans la prise murale.
- Vérifier le fonctionnement du commutateur de remplissage : débrancher l'humidificateur, retirer le châssis du moteur, le placer sur le côté et faire bouger le levier du commutateur de remplissage. Si le commutateur n'émet pas de « clic », des réparations pourraient s'avérer nécessaires.
- Le moteur comprend un fusible sensible à la chaleur. Si le moteur surchauffe, le fusible peut sauter. Débrancher l'appareil et communiquer avec un centre de réparation autorisé le plus proche. NE PAS TENTER de réparer soi-même le moteur.
- L'humidistat ne se règle pas convenablement - régler l'humidité à un niveau plus élevé.

2) Humidité insuffisante :

- Cet appareil est un humidificateur à évaporation. L'humidité est invisible.
- Vérifier l'état de la mèche d'évaporation. Si elle est bouchée ou durcie sous l'effet des minéraux, la remplacer.
- Le réservoir peut être vide - le remplir.

3) Trop d'humidité :

- Lorsque la condensation devient trop lourde sur les surfaces froides de la pièce, tourner le bouton de réglage de l'hygrostat pour abaisser le taux d'humidité ou augmenter la température de la pièce.

4) Fuite d'eau :

- Le boîtier a été trop rempli. Pour votre sécurité, une orifice de déversement se trouve à l'arrière du boîtier. Le niveau d'eau adéquat est indiqué sur le montage du filtre à mèche et sur la paroi latérale du cabinet.

5) Odeur :

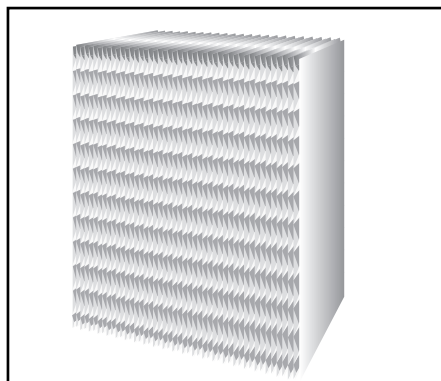
- Nettoyer et désinfecter le réservoir du boîtier en suivant les directives à cet effet. Utiliser la formule de traitement Bemis by Essick Air Bacteria Treatment pour éliminer les odeurs malsaines.

- 6) • Le module électronique du modèle de série 821 ne peut pas être entretenu ou réparé par le consommateur - communiquer avec le service à la clientèle de Bemis by Essick Air pour obtenir l'assistance voulue.

Accessoires

Filtre à mèche d'évaporation

Le modèle 1043. Le filtre à mèche d'évaporation remplaçable dégage continuellement de l'humidité tout en captant les dépôts de minéraux. Il réduit l'accumulation de calcaire dans l'appareil. Seuls les filtres à mèche Bemis by Essick Air fournissent le rendement certifié par l'UL et le AHAM pour l'humidificateur de Bemis by Essick Air.



Traitement contre les bactéries

Traitement contre les bactéries
N° : 1970-32 oz.
Contrôle la croissance des bactéries dans les humidificateurs.
Aide à éliminer les odeurs désagréables.





BY **ESSICK** 

**DIVISION DU CONFORT À LA MAISON
GARANTIE LIMITÉE DE UN AN**

La garantie sur l'humidificateur Bemis by Essick Air porte sur tous défauts dans la matière ou la fabrication et ce, pour une période de un an, à compter de la date d'achat chez le détaillant. Cette garantie ne s'applique que pour l'acheteur d'origine de ce produit. Dans les 12 premiers mois de la date d'achat, Essick Air répare ou remplace, à sa discrétion, toute pièce défectueuse comprise dans cette garantie.

Cette garantie vous donne des droits particuliers. Il se peut que vous ayez d'autres droits qui varient d'un état à l'autre ou d'une province à l'autre.

Cette garantie ne couvre pas les dommages causés par une mauvaise utilisation, un emploi abusif, un accident ou des modifications portées sur le produit, une utilisation commerciale ou des dommages subis lors du transport. Une mauvaise utilisation comprend un mauvais fonctionnement de l'appareil dû à de la négligence dans le nettoyage ou à des pièces souillées de dépôts de minéraux en raison de la dureté de l'eau. Les modifications portées au produit comprennent la substitution pour des éléments autres que ceux de marque Bemis by Essick Air y compris, mais sans limiter, les filtres à mèche.

Pour toute réparation, apporter ou envoyer le produit à n'importe quel Centre de service Bemis by Essick Air.



BY **ESSICK** 

Essick Air Products, Inc.

5800 Murray Street
Little Rock, AR 72209
501.562.1094



BON DE COMMANDE POUR LES ACCESSOIRES

Pour maintenir votre humidificateur en excellente condition, n'utilisez que les pièces de rechange de Bemis by Essick Air. Seules les mèches de rechange de Bemis by Essick Air peuvent assurer que votre humidificateur maintienne sa capacité de rendement à la sortie qui est homologuée par l'AHAM.

No : 1041
Superwick pour les humidificateurs à console et à crédenza des séries 400 et 600.
15,99 \$



No : 1045
Superwick pour les humidificateurs à console de la série H12.
18,99 \$

No : H4000
Housse de protection contre la poussière durant l'été pour les humidificateurs à console de la série 400.
6,99 \$



No : 1051
Filtre Air Cleaner pour les humidificateurs de table à console ou crédenza des séries 400 et 600.
17,99 \$

No : 1043
Superwick pour les humidificateurs à console compact « Space Saver ».
12,99 \$



No : 1990
Hygromètre numérique/Senseur Confort
25,99 \$

No : 1970
Traitement contre les bactéries, 32 oz.
5,99 \$

No : 1961
Nettoyeur pour humidificateur, 32 oz.
3,99 \$

- Favorise l'élimination de la prolifération des bactéries et du fungus.
- Produit fortement recommandé pour les humidificateurs de Bemis et autres humidificateurs à évaporation.

- Favorise l'élimination de calcaire.
- Facilite le nettoyage de l'humidificateur

Article no:	Description	Quant.	Prix	Coût
1041	Superwick pour humidificateurs à console de séries 400 et 600		15,99 \$	
1043	Superwick pour humidificateurs à console compact "Space Saver"		12,99 \$	
1045	Superwick pour humidificateurs à console de série H12		18,99 \$	
1051	Filtre Air Cleaner, pour humidificateurs à console de séries 400 et 600		17,99 \$	
1961	Nettoyeur pour tous humidificateurs, 946 mL (32 oz)		3,99 \$	
1970	Traitement contre les bactéries, 946 mL (32 oz)		5,99 \$	
H4000	Housse de protection contre la poussière durant l'été pour humidificateurs à console de série 400		6,99 \$	
1990	Hygromètre numérique/Senseur Confort		25,99 \$	

Tarif d'expédition	
\$0.00 - 19.99 . . .	\$4.00
\$20.00 - 49.99 . . .	\$6.00
\$50.00 - 99.99 . . .	\$8.00
\$100.00+ . . .	\$10.00

COÛT TOTAL DE LA MARCHANDISE : _____

TAXE DE 6 % POUR LES RÉSIDENTS DU CT : _____

FRAIS DE TRANSPORT ET DE MANUTENTION : _____

MONTANT TOTAL DE LA FACTURE : _____

Source Code	Revised
BEM 110	05/03/04

Nom : _____

Adresse : _____

Ville : _____ Province : _____ Code postal : _____

Tél No : _____

Adresse élect : _____

Vous trouvez ci-joint mon :

Chèque ou mandat poste (en devises américaines) à l'ordre de :

BEMIS BY ESSICK AIR

Visa/MasterCard

American Express

Discover

Carte no : _____

Signature : _____

Date d'échéance : _____

Commandes sur le Web : www.bemis-parts-store.com

Commande par téléphone :

• Composez sans frais le : 1-800-547-3888

• Les commandes par téléphone doivent être d'un minimum de 15 \$.

Commande par correspondance :

BEMIS BY ESSICK AIR CONSUMER SERVICES
20 Constitution Boulevard, South
P.O. Box 884
Shelton, CT 06484-0884

LES COMMANDES SONT EXPÉDIÉES DANS LES 24 H.

À l'extérieur des É.-U., communiquez avec nous pour connaître les frais de fret.

Authorized Repair and Service Stations

For a list of service stations authorized to make both in-warranty and out-of-warranty repairs to Bemis by Essick Air humidifiers, go to the humidifier section of our web site <http://www.essickair.com> or e-mail: info@essickair.com. Contact your local service station or retailer for accessories and parts. If unable to obtain them from your local source, call or write:

Estaciones Autorizadas para Reparaciones y Servicio

Para una lista de estaciones servicio autorizadas para reparar humidificadores Bemis by Essick Air tanto bajo la garantía como fuera de ésta, visite la sección de humidificadores en nuestro sitio en la internet <http://www.essickair.com> or e-mail: info@essickair.com contáctese con la estación de servicio local o lugar de ventas al detalle de accesorios y repuestos. Si no le es posible obtenerla de sus fuentes locales, llámenos o escribanos a:

Centres autorisés pour réparations et service

Pour obtenir une liste des centres de service autorisés à effectuer les réparations sous garantie et hors garantie des humidificateurs Bemis by Essick Air, rendez vous à la section « Humidificateurs » de notre site Web au <http://www.essickair.com> or e-mail: info@essickair.com. Pour l'achat d'accessoires et de pièces, communiquez avec votre centre de service le plus près. S'il vous est impossible d'en faire l'achat auprès de votre ressource locale, appelez-nous ou écrivez-nous au:

Bemis by Essick Air Customer Service

20 Constitution Boulevard, South
P.O. Box 884
Shelton, CT 06484-0884
Phone: 800-547-3888



Essick Air Products
5800 Murray Street
Little Rock, AR 72209
501.562.1094