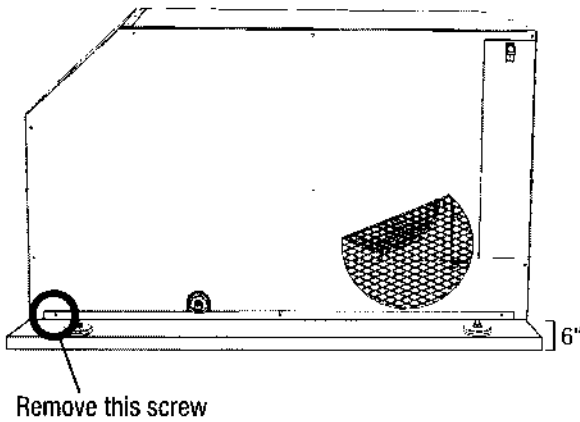
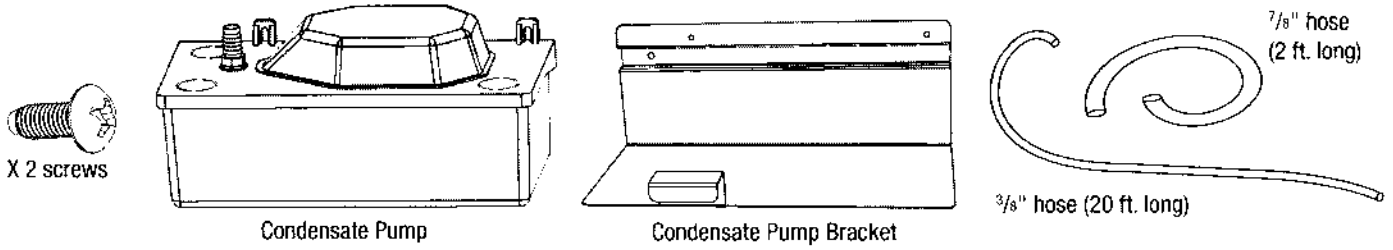


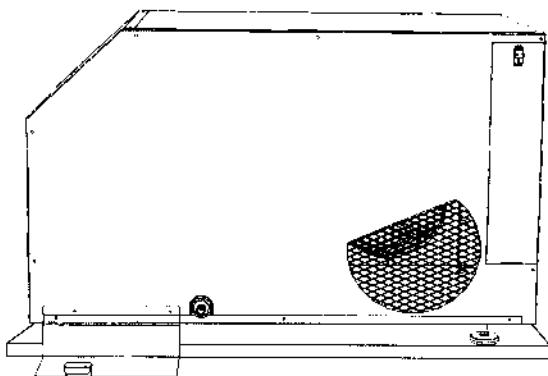
CAUTION! Before installing pump kit, disconnect dehumidifier from electrical power and disconnect drain hose if previously installed.



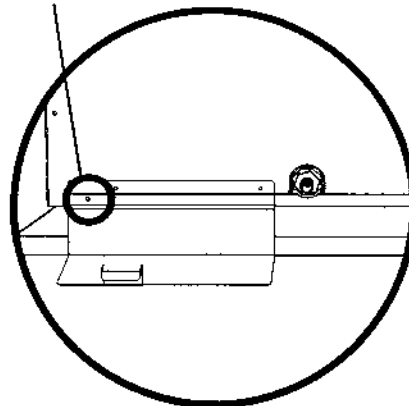
Step 1. Elevate unit 6" in height.

CAUTION! The pump and bracket are not designed to support the weight of the unit. Do not allow the unit to rest on the pump and mounting bracket after it is installed.

Step 2. Remove screw as indicated and keep for Step 3.



Step 3. Attach pump kit bracket with screw removed in Step 2. Do not over tighten



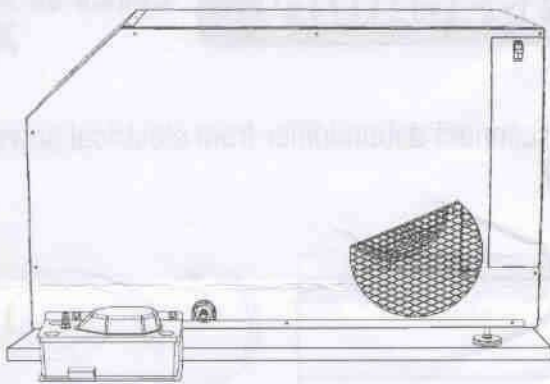
Therma-Stor LLC

Driven by performance. Powered by design.™

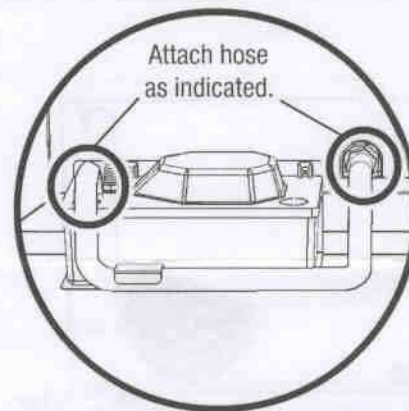
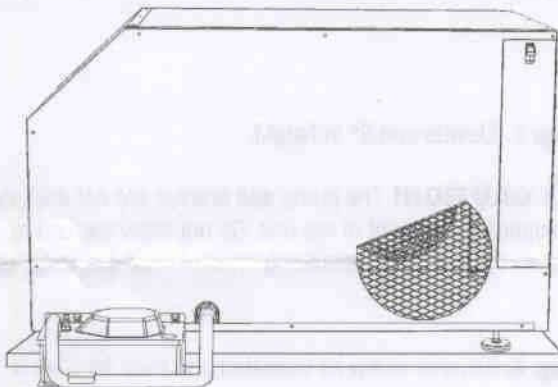
P.O. Box 8680 Madison, WI 53708 • TOLL-FREE 1-800-533-7533 • www.thermastor.com • sales@thermastor.com

1S-511

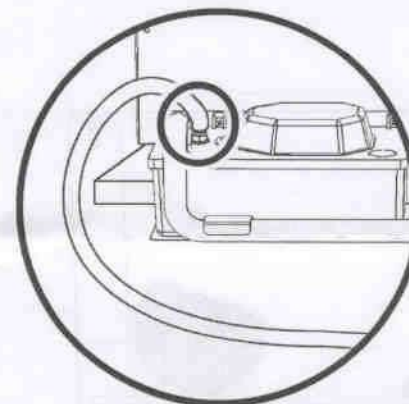
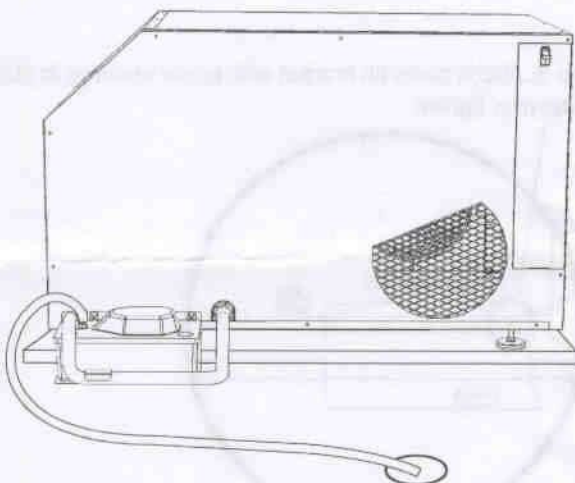
Step 4. Attach condensate pump to bracket with two screws provided.



Step 5. Attach $\frac{7}{8}$ " hose to drain on machine and then to condensate pump. Be careful not to kink hose.



Step 6. Attach $\frac{3}{8}$ " hose. Verify hose is secured tightly to pump by pulling gently on hose.



Note: When pumping to a drain above the unit, do not exceed 10 feet.



Therma-Stor LLC

Driven by performance. Powered by design.™

P.O. Box 8680 Madison, WI 53708 • TOLL-FREE 1-800-533-7533 • www.thermastor.com • sales@thermastor.com

TS-511