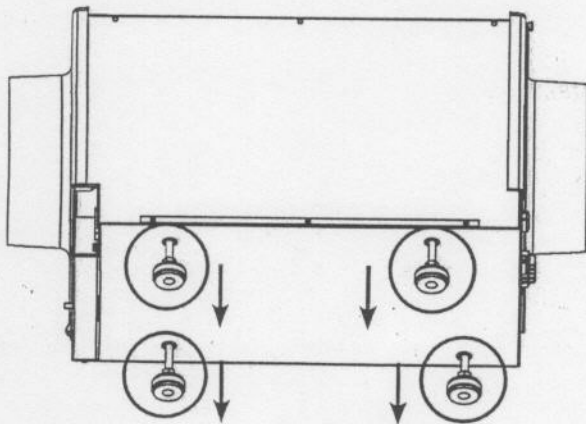


x4 Lock Nuts

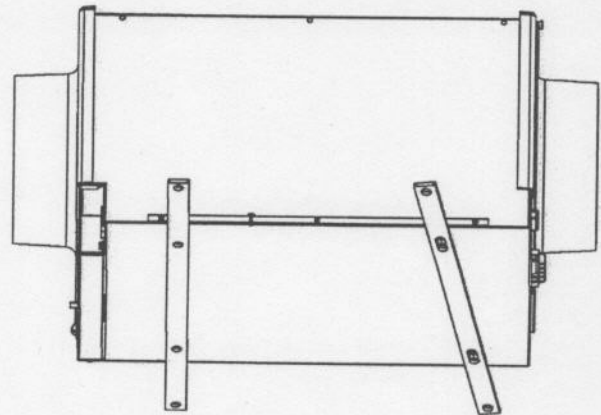
x4 J Bolts  
x4 Wood Screws

x2 Metal Supports

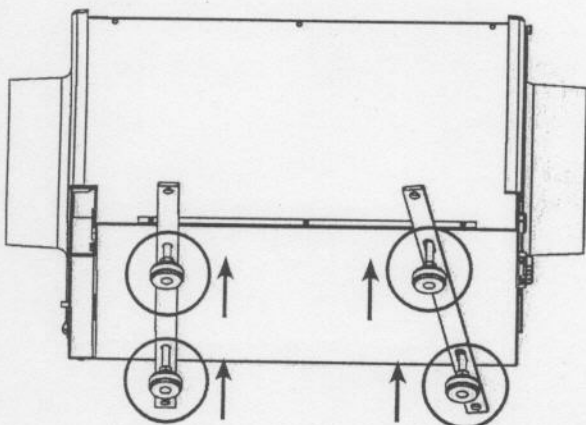
x4 Rubber Straps



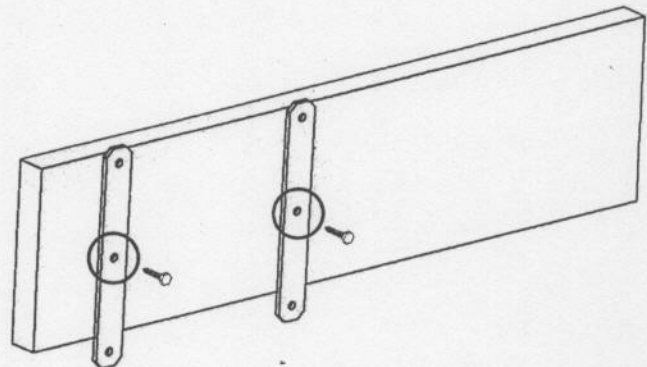
**Step 1.** Turn unit on side. Remove feet.



**Step 2.** Position supports under unit as shown...

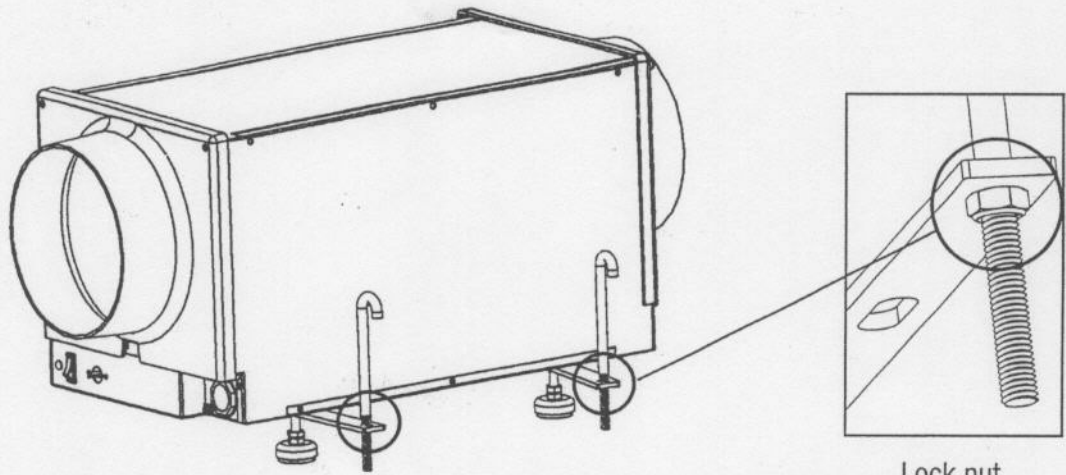


**Step 3.** Secure supports by screwing feet into unit.

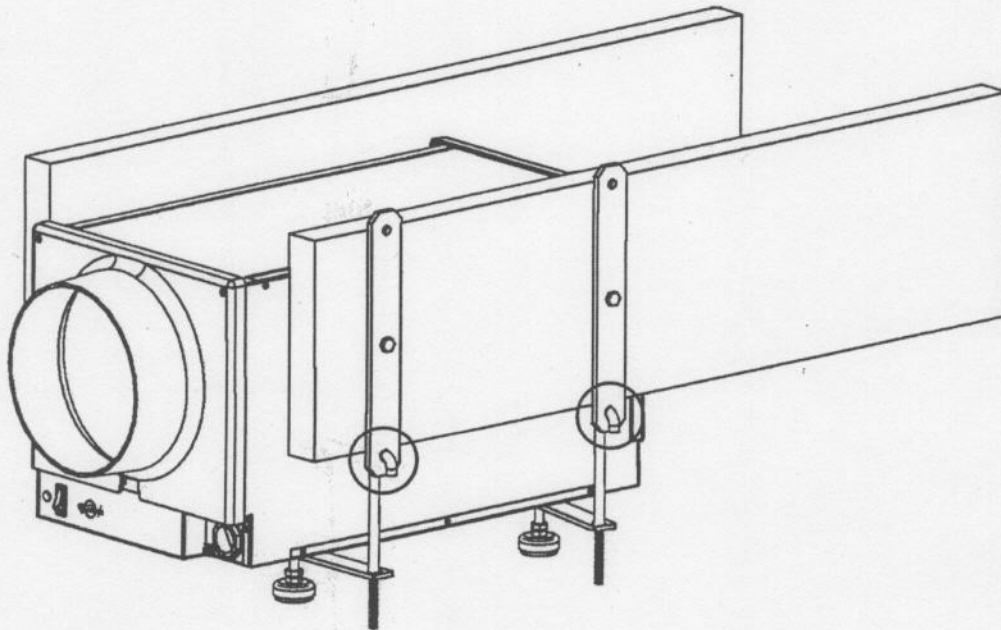


**Step 4.** Use a 1/2" socket wrench to attach rubber straps to wood beams as shown. Straps have extra hole for adjusting height as necessary.

**⚠ CAUTION!** Be sure straps are securely fastened. Avoid securing near edge of wood.



**Step 5.** Use a 9/16" wrench attach J bolts using lock nuts as shown. Confirm that nylon threads are fully secured.



**Step 6 .** Attach hooks to straps on both sides.



**Therma-Stor<sup>®</sup> LLC**

Driven by performance. Powered by design.™

P.O. Box 8680 Madison, WI 53708 • TOLL-FREE 1-800-533-7533 • [www.thermastor.com](http://www.thermastor.com) • [sales@thermastor.com](mailto:sales@thermastor.com)

TS-453