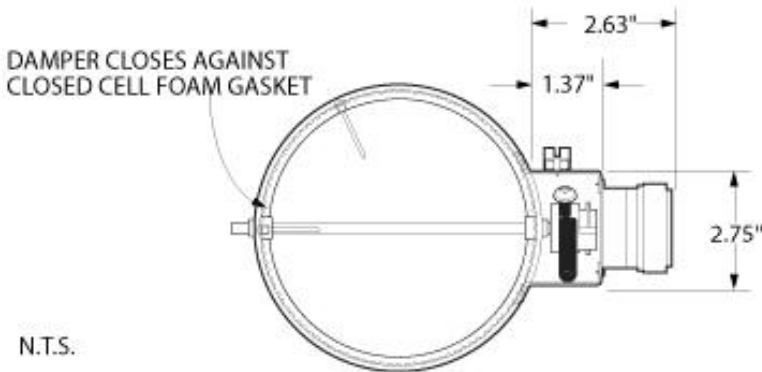
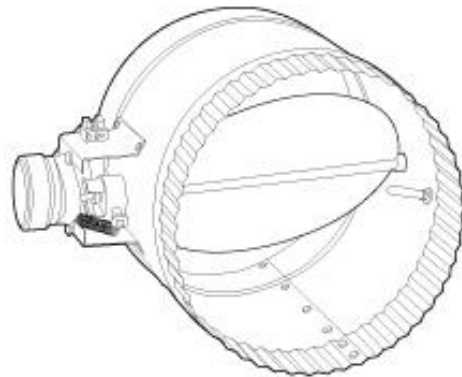
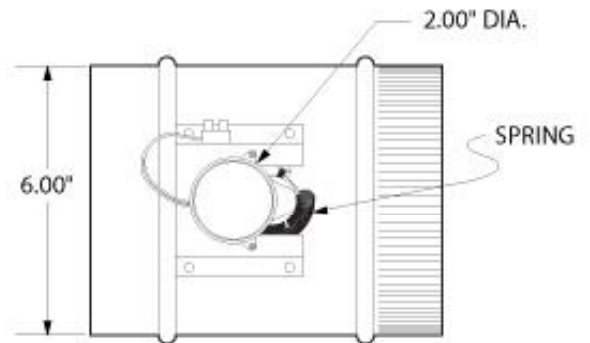


TOP VIEW



FRONT VIEW



SIDE VIEW

ZONE CONTROL DAMPER
 **ZONEMASTER™**

MODEL ZC106 OR ZO106

UNIT WEIGHT: 3 LBS. • 0.25 AMPS • 24 VAC • 60 HZ • 7 WATTS • GAUGE: 24 • FREE WHEELING COUPLING BETWEEN SHAFT AND MOTOR FOR LONG LIFE
 MODEL ZC106: NORMALLY CLOSED WITH NO POWER (OPENS WITH POWER) • MODEL ZO106: NORMALLY OPEN WITH NO POWER (CLOSES WITH POWER)
 HYSTERESIS GEAR MOTOR • MOUNTING HARDWARE: (6) #6 SHEET METAL SCREWS. 24 VAC TRANSFORMER SOLD SEPARATELY.