



# INSTALLATION INSTRUCTIONS

## Z-600-EP Three Zone Expansion Panel

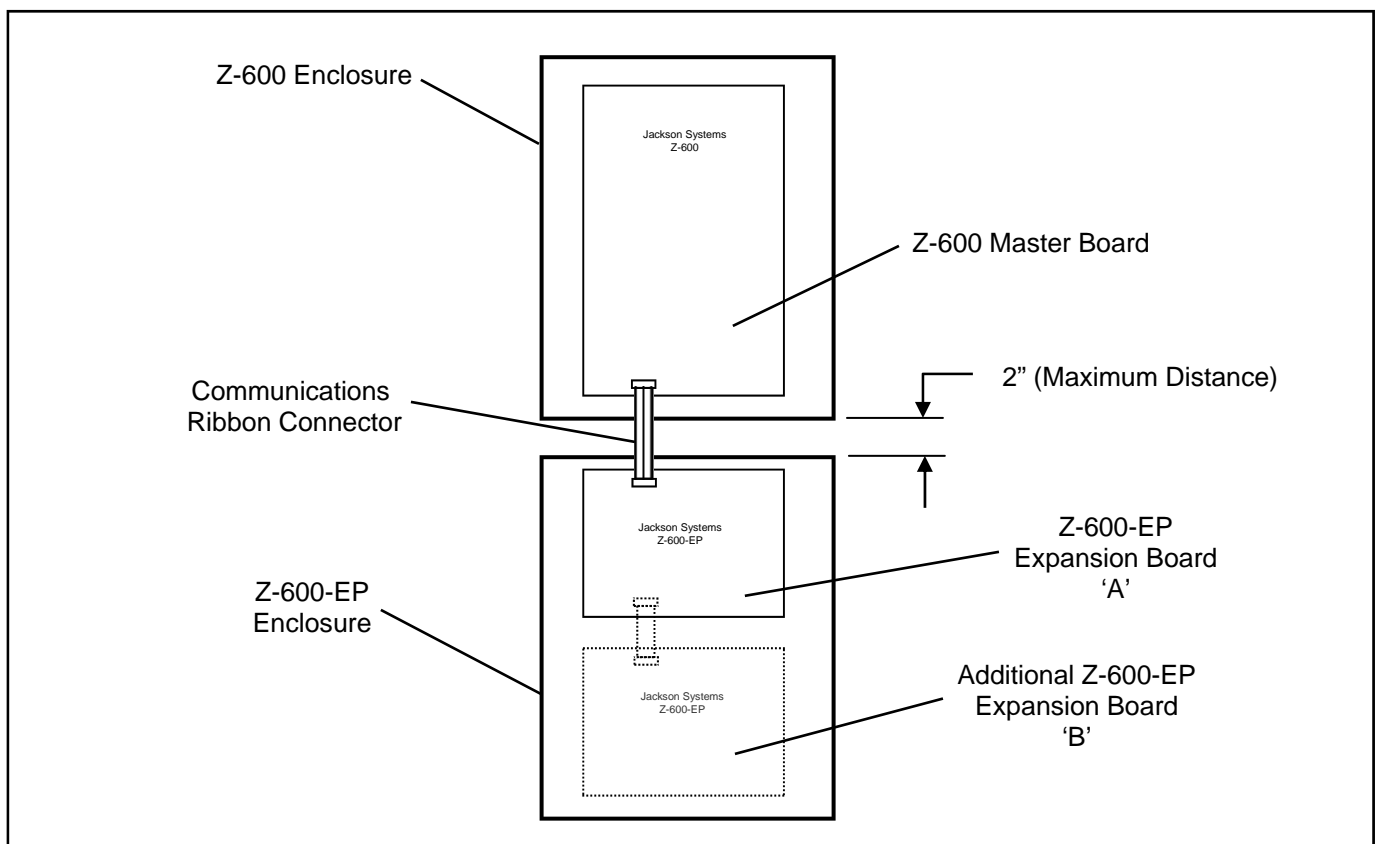
### INTRODUCTION

The Z-600-EP Expansion Panel is a 3-zone module. It is mounted in its own anodized aluminum enclosure to match the Z-600 Comfort System™ master panel. The Z-600-EP connects to the Z-600 control panel via the included communications ribbon connector. An additional Z-600-EP expansion board can be daisy chained together in the same enclosure to provide an additional 3 zones, for a total of 12.

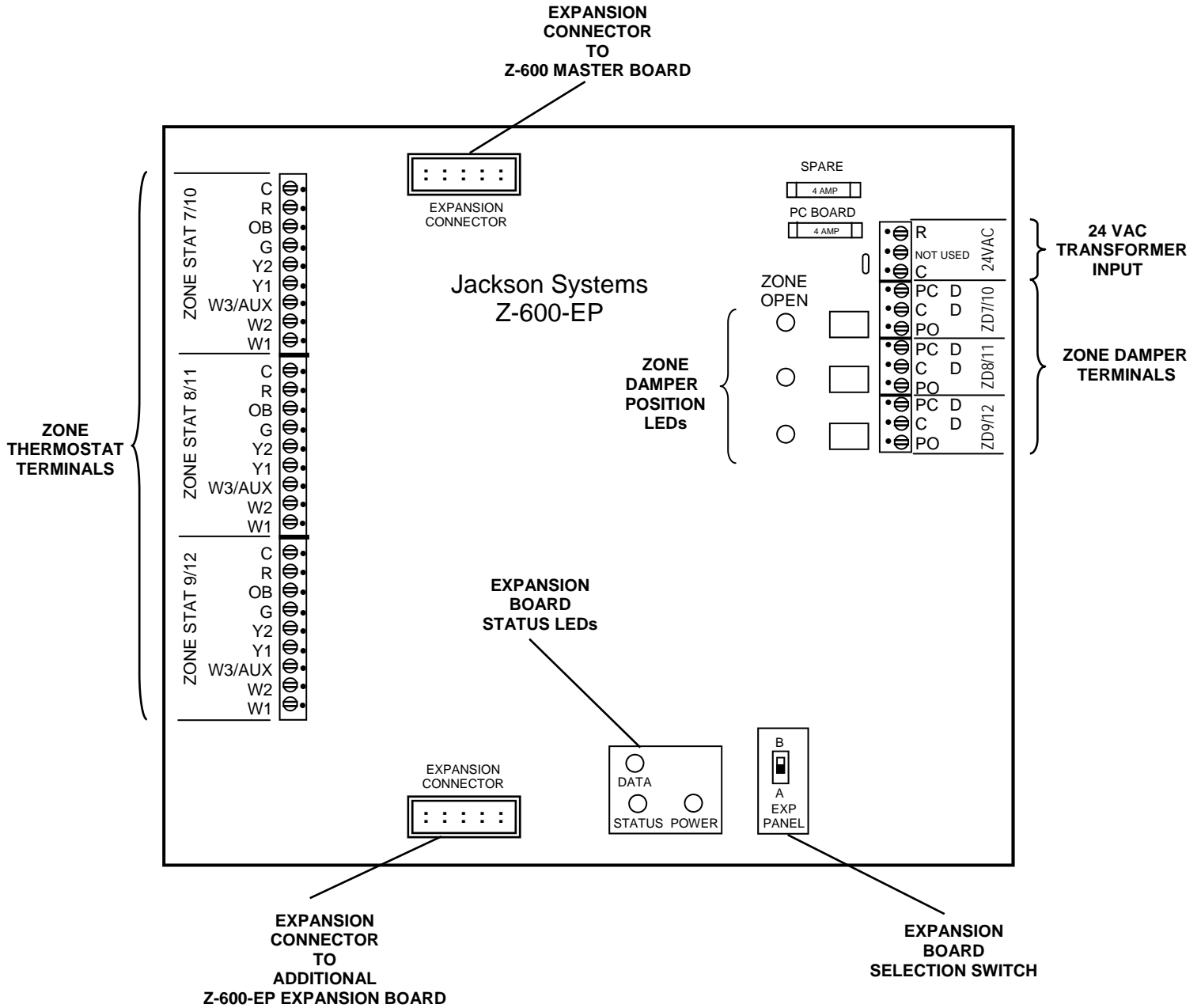
### INSTALLATION

1. Turn power off to HVAC unit and control panel during installation to prevent serious injury from electrical shock and/or damage to system.
2. Mount the Z-600-EP expansion panel no more than 2 inches under the Z-600 control panel. This will allow enough room to facilitate wiring and connection of the communications ribbon.
3. Each Z-600-EP expansion panel requires its own 24 volt transformer.
4. Zone dampers and zone thermostats wire the same as on the Z-600 panel.
5. **Never connect or disconnect the communications ribbon connector when there is 24 volt power to the Z-600 or Z-600-EP boards as this can cause permanent damage to the microprocessor.**
6. If one Z-600-EP expansion panel is added to the Z-600, set the Expansion Panel Selector Switch to 'A'.
7. If a second Z-600-EP expansion panel is added, set its Expansion Panel Selector Switch to 'B'.

SEE BACK FOR ADDITIONAL INFORMATION



# Z-600-EP Three Zone Expansion Panel



Z-600-EP SYSTEM STATUS LED DEFINITIONS AND FUNCTIONS		
ZONE OPEN	Damper Position	ON when zone damper is in open position
DATA	Send/Receive	BLINKS when data is being sent and received.
STATUS	Continuous System Check	BLINKS to confirm microprocessor is functioning properly.
POWER	Expansion Board Power	ON when Z-600-EP is receiving 24 volts power.