

# CABIN AIR FILTER REPLACEMENT

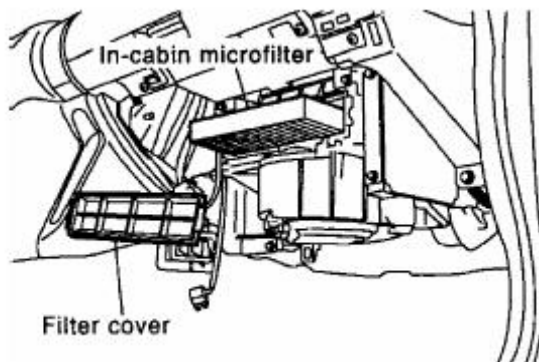
Recommended Replacement Interval: 15,000 miles under normal operating conditions.

## **2007-03 Infiniti G35**

Installation Time: More than 10 min

Tools needed: Yes

Location: Under dash



**Fig. 1 Cabin air filter removal**

1. Remove the passenger side lower instrument panel attaching screws.
2. Pull back on the panel side to disengage the clips and remove the panel and glove compartment.
3. Remove the glove compartment and the air bag connector.
4. Remove the damper wire screws.
5. Disconnect the glove compartment pins and remove the glove compartment.
6. Remove the cabin air filter cover, then the cabin air filter, **Fig. 1**.
7. Install the new cabin air filter element. If the filter is equipped with air flow markings, ensure the marking is facing the proper direction.
8. Install the new cabin air filter cover.
9. Install the glove compartment pins and then the glove compartment.
10. Install the damper wire, glove compartment and air bag connectors.
11. Install the passenger side lower instrument panel.