

CABIN AIR FILTER REPLACEMENT

Recommended Replacement Interval: 15,000 miles under normal operating conditions.

Honda Civic 2006-01

Installation Time: 5 min or less

Tools needed: No

Location: Glove Box

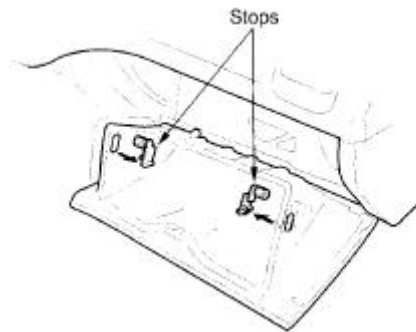


Fig. 1 Glove compartment stops

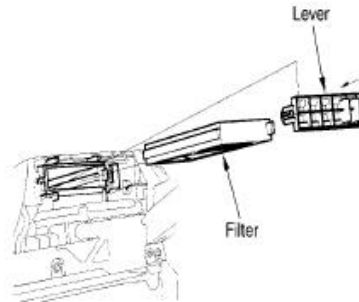


Fig. 2 Blower unit cover & cabin air filter

1. Open the glove compartment.
2. While holding the glove compartment, remove the glove compartment stops located at each side by pulling outward on the stop tabs, **Fig. 1**.
3. Allow the glove compartment to hang downward.
4. Remove the cabin air filter cover from the blower unit by pushing in on the lock, then pull the cover outward to remove, **Fig. 2**.
5. Remove the first cabin air filter from the blower unit.
6. Move the second cabin air filter to the left, and then remove the filter from the blower unit.

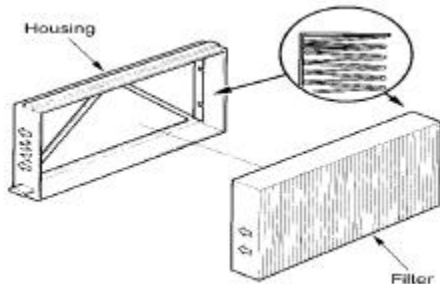


Fig. 3 Cabin air filter element & housing

8. Position the new cabin air filter into the filter housing. **Ensure the air flow markings (arrows) on the filter element and filter housing are facing in the same direction, Fig. 3.**
9. Install the first cabin air filter into the blower unit, then move the filter to the right.
10. Install the second cabin air filter into the blower unit.
11. Install the cabin air filter cover to the blower unit. Ensure the filter cover is securely seated.
12. Lift the glove compartment upward and install the stops located at each side.