



# Reversible **XCHANGER** Basement Fan™

## Automatically Ventilate Damp, Musty Basements

Simple  
Plug-In  
Electrical

Many homes have basements that are stale, musty or smelly because of:

- Seasonal water issues
- Sump pits & floor drains
- General lack of air exchange

The musty smell that many basements have is caused by off-gassing of molds that thrive when humidity is in excess of 60% RH.

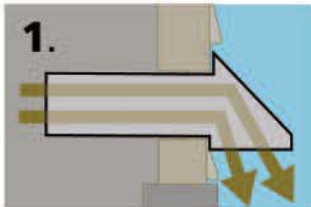
The Reversible XchangerR Basement Fan is the economical and simple way to automatically ventilate your basement to eliminate odors and reduce humidity.

Uses only 40 watts compared to over 1,000 watts for the typical dehumidifier. Save over \$100 per year in electrical costs.

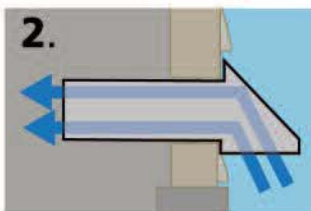


### Three Air Flow Options

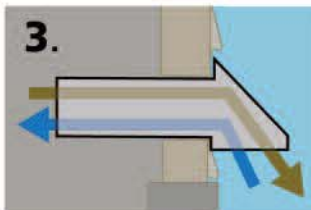
Easily reverse the direction of the airflow to:



1. Exhaust  
musty  
air



2. Supply  
fresh  
air



3. Or position one  
fan in each  
direction for  
balanced air  
exchange with  
no bypass from  
either air stream

### To Reverse Air Flow



Pull Fan Out



Rotate Fan 180°



Push Fan Back In

Each fan has a built-in off-cycle damper.

### Also use the Xchanger to:

- Comply with residential ventilation requirements of ASHRAE 62.2-2007
- Supply make-up air for stoves or fireplaces
- Ventilate storage areas and garages
- Ventilate unoccupied vacation homes



Proudly Made  
in the U.S.A.



## Includes Automatic Humidity Control

Turn either fan on or off and automatically operate your basement fan by adjusting the dehumidistat control to the level needed. Rotate the dial fully clockwise for constant operation.

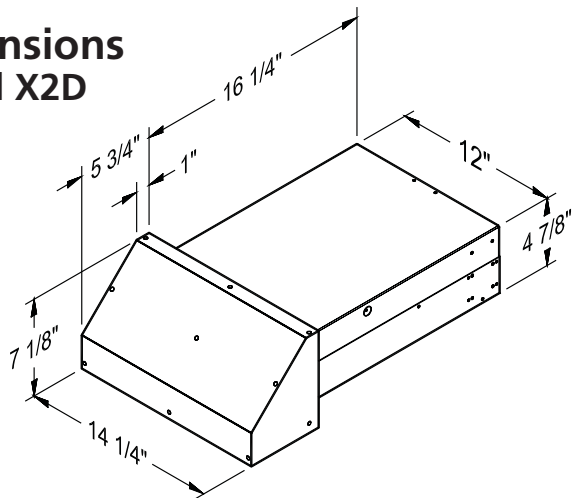


## Specifications Model X2D

CFM performance complies with requirements of ASHRAE 62.2-2007 for homes up to 7,500 Ft<sup>2</sup> and 7 bedrooms. Reference the 62.2-2007 standard and local building codes for specific ventilation rates and methods.

	1 Fan	2 Fans
Voltage	120	120
Watts	20	40
Amps	0.3	0.6
CFM	90	180

## Dimensions Model X2D



Quality galvanized steel construction.

Available From:

## Simple Installation

Install XchangeR through a 12 1/4 x 5 1/4 inch opening in a basement rim joist. Secure the control box to the wall. Plug the XchangeR fans into the control and plug the control into a standard outlet.



## Easy Maintenance

Rugged outdoor hood with easy to remove and clean screen.



## Optional Accessories

Add the SCP plug-in speed control for variable performance or use any plug-in timer to cycle as desired.

Model SCP



If using the XchangeR in an enclosed utility room with chimney-vented heating equipment, use the optional DT2-6 6" duct take-off and G-6 diffusers to pull exhaust air from an adjacent room.

Model DT2-6



Model G-6



## TJERNLUND PRODUCTS, INC.

1601 Ninth Street White Bear Lake, MN 55110-6794  
 Phone: 651.426.2993 800.255.4208 Fax: 651.426.9547  
 Visit our web site: [www.tjernlund.com](http://www.tjernlund.com)