

## **WhisperFit-Warm™** VENTILATION FAN

FV-07VFH3

### **Low profile fan/heater solution for small bathrooms**

- Ideal for remodeling and simple installation in small bathrooms
- Low profile housing design fits in 2" x 6" construction
- Aerodynamic fan design delivers whisper quiet operation
- 1 minute warm-up quickly heats up a cold room
- Detachable filter removes dust from exhaust air and is easy to clean
- 1300 Watt temperature regulating PTC\* heater ensures safety and reliability

\* PTC (Positive Temperature Coefficient) heating elements are small ceramic stones with self-limiting temperature characteristics. PTC stones have fast heating response times and level out once a pre-defined temperature is reached.

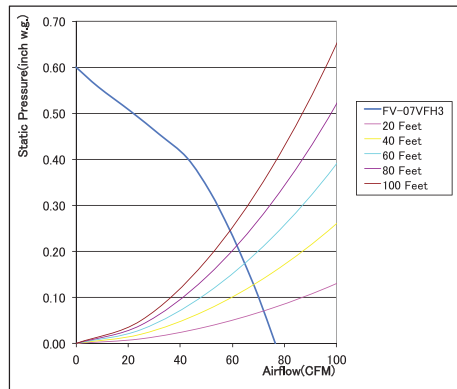
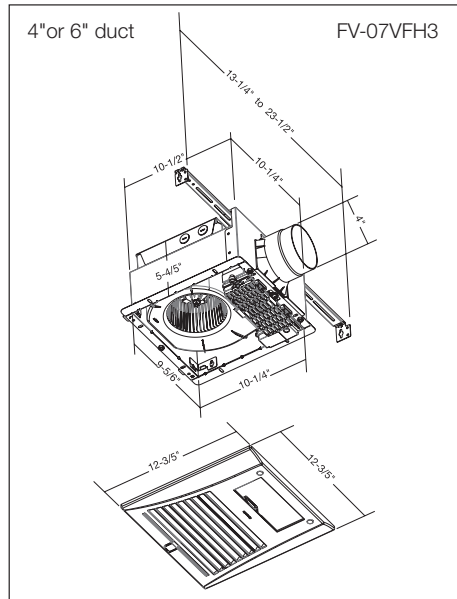
### **Additional Benefits**

- Fully enclosed condenser motor for long life rated for 30,000 hours continuous run
- Thermal fuse protection on motor and 3-level safety device for heater
- Built-in damper to prevent back draft
- 4" duct adapter included
- 3 Year Warranty on parts



# Panasonic

# WhisperFit-Warm™ Ventilation Fans



WhisperFit-Warm		FV-07VFH3	
<b>Characteristics</b> (HVI tested data for 0.1" S.P.)	Static Pressure in inches w.g.	0.1	0.25
	Air Volume (CFM)	70	59
	Noise (sones)	1.5	2.2
	Power Consumption (watts)	26.2	26.1
	Energy Efficiency (CFM/Watt)	2.7	2.3
	Speed (RPM)	1135	1305
	Current (amps)	0.17	0.17
	MAX. Current(amps)	0.22	
	Power Rating (V/Hz)	120/60	
	<b>Specifications</b>	Motor Type	AC
Type of Motor Bearing		Ball	
Thermal Fuse Protection		Yes	
Blower Wheel Type		Sirocco	
ENERGY STAR Qualified		No	
<b>Installation</b>	Duct Diameter (Inches)	4"	
	Mounting Opening (Inches sq.)	10-3/5"	
	Grille Size (Inches sq.)	12-3/5"	
<b>Heater</b>	PTC Heater	Yes	
	Directional Louver	N/A	
	Heating Element (Watts)	1,300	
<b>Shipping</b>	Gross Weight (lbs)	11.2	
<b>Approved Code/ Standard/Regulation</b>	UL tub/Shower Enclosure	N/A	
	Washington VIAQ Code	Yes	
	California Title 24 Compliant	Yes	
	Mfg in ISO 9001 Certified Facility	Yes	

**WhisperFit-Warm™**  
VENTILATION FAN



Printed with soy ink on 10%  
post-consumer recycled paper.

**Panasonic Eco Solutions North America  
Eco Products Division**  
One Panasonic Way, 1H-3  
Secaucus, NJ 07094  
(201) 348-7000

[www.panasonic.com/building](http://www.panasonic.com/building)

**For Distributor Order Information**  
PHONE: 866-292-7299  
FAX: 888-553-0723

[ventfans@us.panasonic.com](mailto:ventfans@us.panasonic.com)

*Design and specifications subject to change without notice.*

VF12109SS - January 2013