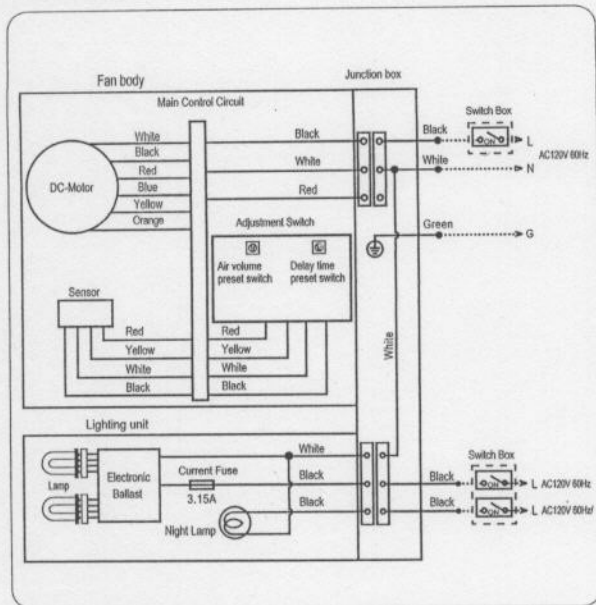
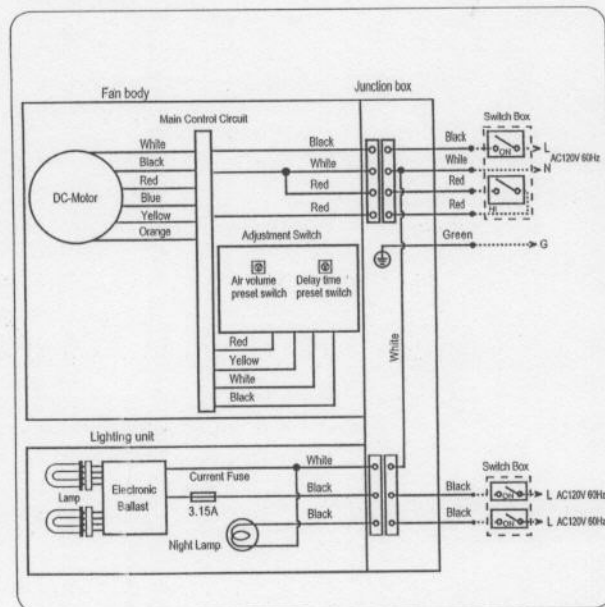


WIRING DIAGRAM

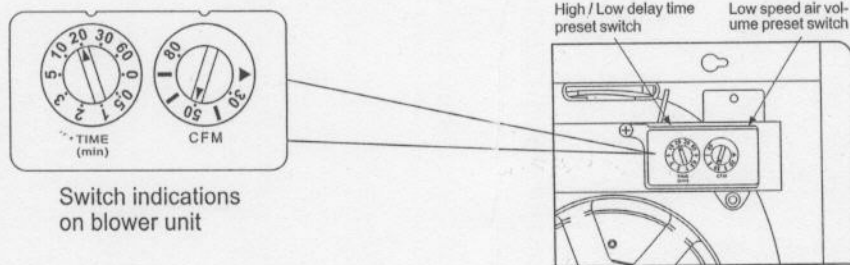
FV-08VKML1



FV-08VKSL1



SWITCH INDICATION



Switch indications on blower unit

Low speed air-volume preset switch positions

Air Volume [cfm]	▶	30	40	50	60	70	80
------------------	---	----	----	----	----	----	----

Factory setting : 50 cfm
Position "▶" use for factory test only.

High/Low delay time preset switch positions

Delay Time [min]	0	0.5	1	2	3	5	10	20	30	60
------------------	---	-----	---	---	---	---	----	----	----	----

Factory setting : 20 minutes
Position "0" : Use for factory test only.