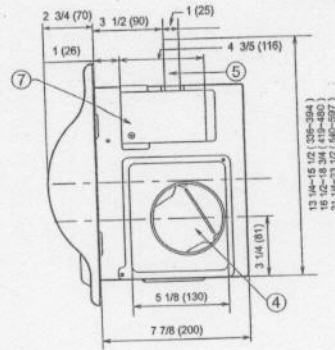
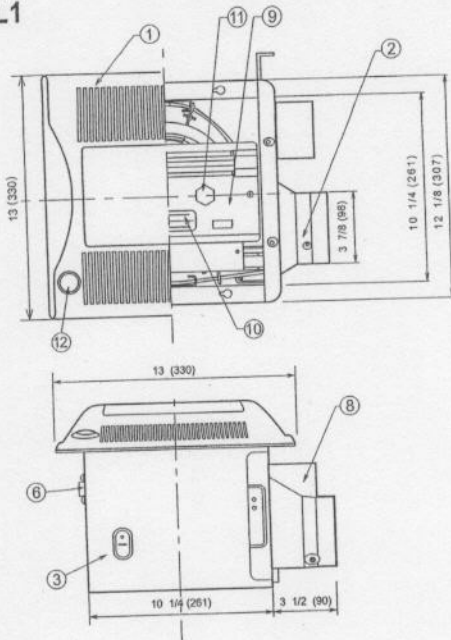


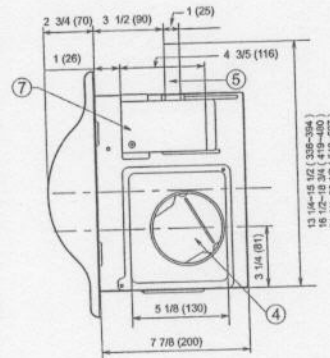
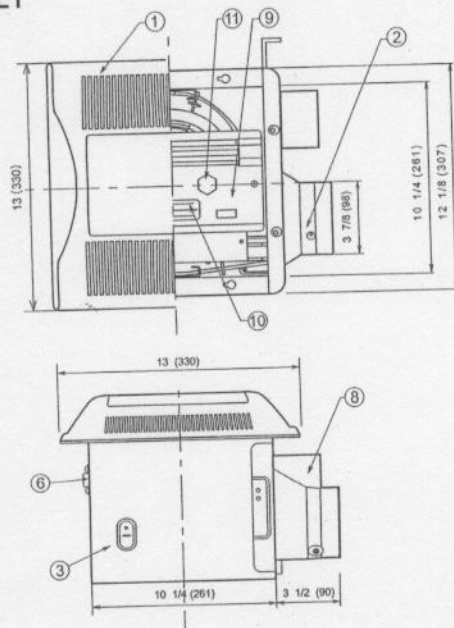
DIMENSIONS

Unit: inches(mm)

FV-08VKML1



FV-08VKSL1



No.	Part name	No.	Part name
1	Grille	7	Junction box cover
2	Adaptor	8	Junction box
3	Fan body	9	Lighting unit
4	Damper	10	Fluorescent lamp
5	Suspension bracket	11	Night lamp
6	Bracket cover	12	Sensor unit

(For 16 inches on center joists, only use suspension bracket I, for 19.2 inches on center joists, only use suspension bracket III, if more than 19.2 inches on center, use suspension bracket II & III.)