

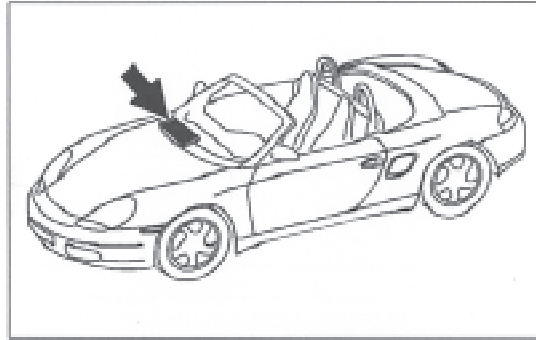


Cabin Air Filtration Product MicronAir® No. VW97165P, VW97165C

1

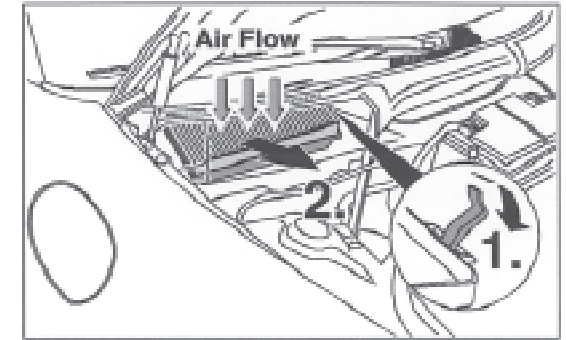
Tools:
Phillips screw
driver

- Open the hood.



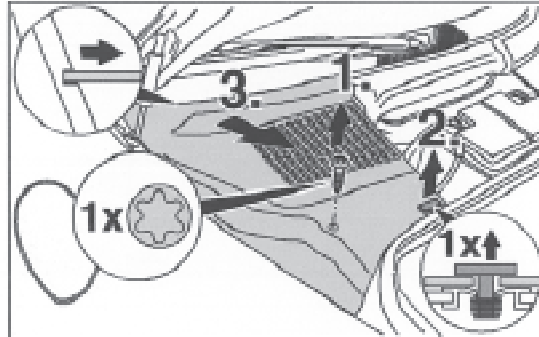
3

- Release the latch on the right side of the filter housing and pull the cabin air filter toward the front of the car to remove.



2

- Remove the heater/AC system cover by removing the two screws



4

- Replace with clean micronAir® Cabin Air Filter, and secure the latch.
- Replace the heater/AC system cover and insert the two screws.

This micronAir® Cabin Air Filter fits: Porsche 911 and Boxster, from model year 1997.

Get in and breathe easy.

The vehicle manufacturer recommends that the filter be changed every year or 15,000 miles.
Engineered for Original Equipment Manufacturer Specifications.