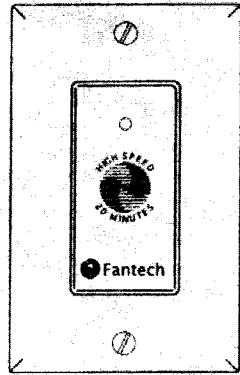
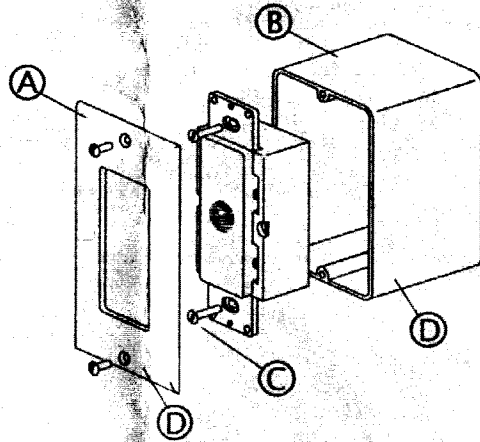


VT20M / VT20A



- (A) Mounting Plate
Plaque décorative
Placa de pared decorativa
- (B) Electrical Box
Boîte électrique
Caja eléctrica
- (C) Machine screw
Vis mécanique
Tornillo
- (D) Not included
Non inclus
No se incluye



Intermittent Fan Control - VT20M

WARNING: Ensure that power is switched off at service panel before commencing installation.

WARNING: Main Control Unit and Auxiliary Control Unit must not be installed where they can be reached from a tub or shower. Unit must be installed on GFCI circuit if located in bathrooms.

Electrical wiring must be done by qualified person(s) in accordance with all applicable codes and standards.

Description

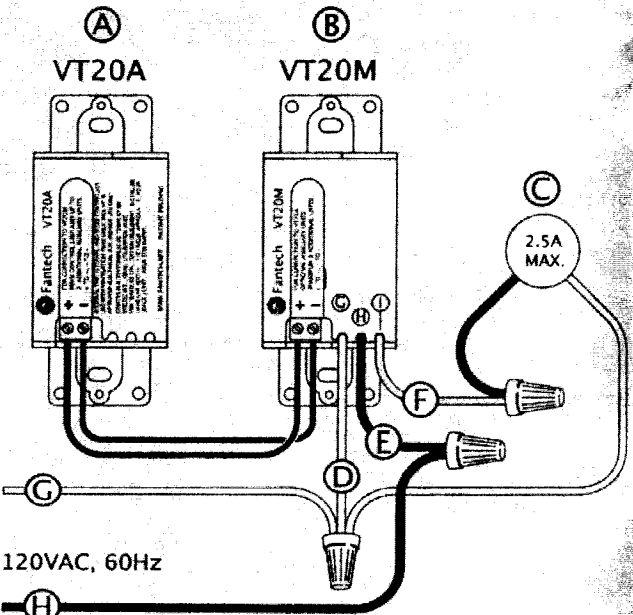
The Fantech intermittent Fan Control is designed to be used with Fantech fans to meet whole-house ventilation needs as prescribed by independent residential ventilation authorities such as HVI and ASHRAE.

The model VT20M controller enables the fan to run at a preset speed for a preset portion of each hour, 24 hours a day every day.

The high speed override button enables the fan to run at full speed for 20 minutes when needed, for example to vent steam from a bathroom.

Where a single exhaust fan is ducted to draw air from multiple locations, up to three auxiliary fan controls, model VT20A, may be used with the main controller, model VT20M.

The auxiliary controls may be installed in secondary bathrooms etc., where high speed override is required.



- (A) Auxiliary control
Contrôle auxiliaire
Control auxiliar
- (B) Main control
Contrôle principal
Control principal
- (C) Fan
Ventilateur
Ventilador
- (D) White
Blanc
Blanco
- (E) Black
Noir
Negro
- (F) Red
Rouge
Rojo
- (G) Neutral
Neutre
Neutral
- (H) Line
Ligne
Linea
- (I) Load Charge
Carga

Item # / No de l'article / Artículo #: VT 2007
Revision date / Date de révision / Fecha de revisión: 04272007

Normal Operation

Main Control unit (VT20M) features both a timer and speed control that will activate an exhaust fan at a certain speed for a selected period of time each hour. To select fan speed, adjust lower slide control to desired speed. To select fan on-time adjust upper slide control to time desired (5 minute intervals). For example, if the fan-on time (upper slide adjuster) is set at one quarter from the bottom, the fan will run for 15 minutes every hour at the preset speed (lower slide adjuster).

For temporary full speed operation, press the button on the front of the control (main or auxiliary).

The fan will run at full speed for 20 minutes and then resume its normal preset cycle.

Full speed is indicated by a blue light illuminated on the front of the control panel.

To return to the normal cycle before 20 minutes has elapsed, press and hold the button for five seconds.

Auxiliary Control Unit

Up to three auxiliary control units can be installed in addition to one main control unit.

Install in standard wall box.

Two insulated Romex type wires are required to connect main control unit to auxiliary control units.

Connect the positive screw terminal on the main control unit to the positive screw terminal on the auxiliary control unit. Connect the negative terminals the same way.

Specifications

For control of 115 volt AC exhaust fans up to 2.5 amps. Use only with 115 volt AC single phase electrical supply.

Main Control Unit

Install in standard wall box prewired with LINE and NEUTRAL.

Using twist wire connectors, connect NEUTRAL to both the WHITE wire on the main control unit and to the NEUTRAL terminal on the remote fan.

Connect LINE to the BLACK wire on the main control unit.

Connect the RED wire on the main control unit to the LINE terminal on the remote fan. See wiring diagram for more details.

Screw the main control unit into the wall box so that it is flush with the wall.

Restore power at the service panel and push high speed button to verify power to the remote fan.

Adjust time and speed adjusters to desired levels and install the decorative wall plate.

Note: the wall plate must be removed to make adjustments to time and speed.



United States / États-Unis / Estados Unidos Americanos

1712 Northgate Blvd. • Sarasota, FL 34234 • 1.800.747.1762 • www.fantech.net

Canada / Canada / Canadá

50, route Kanalfakt Way • Bouctouche, NB E4S 3M5 • 1.800.565.3548 • www.fantech.ca

