

MOTOR INSTALLATION INSTRUCTIONS

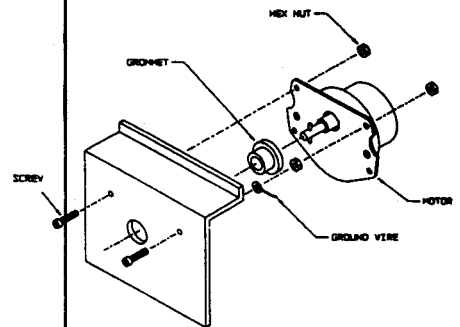
1322-1 AND 1322 MOTORS. THESE MOTORS REPLACE ALL PREVIOUS MOTORS ON 447 SERIES, 465 SERIES AND 2000.

These instructions are designed to assist you in installing a new motor in your Hermidifier Humidifier. Simply follow the instructions that apply to your unit step-by-step. **CAUTION:** Before attempting to replace the motor, or make any other repairs to your unit, turn off the electricity to the unit and disconnect the electrical wiring!

Enclosed grommet is for Model 2000 Challengers only!

MODEL 2000 CHALLENGER:

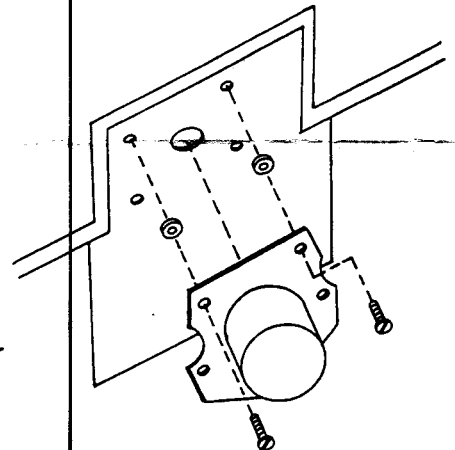
- 1) Remove the old motor, being careful to save the #1278 motor mount nuts, #1280 spacer washers, and #1203 motor mount screws.
- 2) Place grommet onto motor shaft with the "hub" out. See sketch. Spraying the grommet with silicone will help to slide the grommet over the pins on the motor shaft.
- 3) Line up the new motor so that the flat side of the motor is up, with the rounded side down, and the motor shaft extending through the larger opening in the case.
- 4) Insert the screws through the case, then the ground wire, hex nut, and top motor holes. Secure into place with the motor mount nuts.
- 5) After the drum assembly has been installed on the motor shaft and the opposite end of the drum shaft has been laid into position, observe that the drum shaft is sitting freely in its receptacle. If not, shorten the drum shaft by adjusting the nut at the closed end. Do not manually turn the drum assembly as this can cause motor damage. To observe this rotation of the drum assembly, reconnect the electrical connection.



Model 2000 Challenger

MODEL 447-1 HERRMIDIFIER:

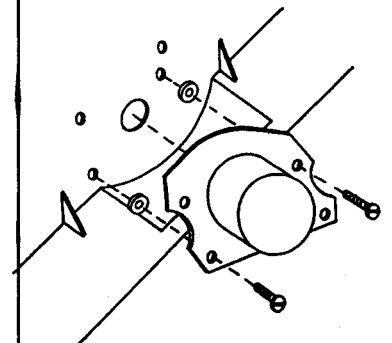
- 1) Remove the old motor, being careful to save the #1278 motor mount nuts, #1280 spacer washers, and #1203 motor mount screws.
- 2) Line up the new motor so that the flat side of the motor is up, with the rounded side down, and the motor shaft extending through the larger opening in the case.
- 3) Insert the screws through the top openings in the motor, then the spacer washers, the case, and secure into place with the motor mount nuts inside the case of the unit.



Model 447-1 & 447C-1

MODEL 465-1 HERRMIDIFIER:

- 1) Remove the old motor, being careful to save the #1278 motor mount nuts, #1280 spacer washers, and #1203 motor mount screws.
- 2) Line up the new motor so that the flat side of the motor is down, with the rounded side up. When in the proper position, the two lower holes in your case-top will line up with the lower left motor hole, and the upper right motor hole (as seen from the outside of the case when held in an upright position). Newer cases may have only one set of holes, so this may not be a concern.
- 3) Insert the screws through the openings in the motor, then the spacer washers, the case, and secure into place with the motor mount nuts inside the case of the unit.
- 4) The motor shaft is not designed to emerge from the direct center of the motor shaft opening. When installed properly, it will be slightly off-center.

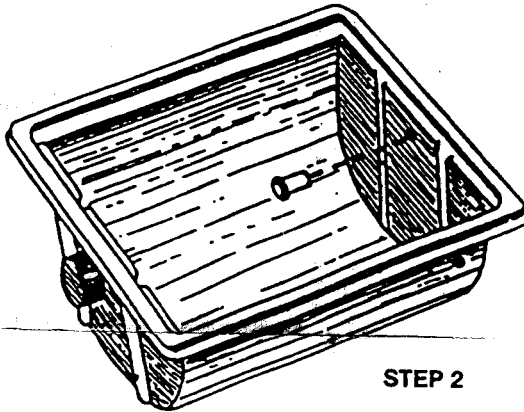
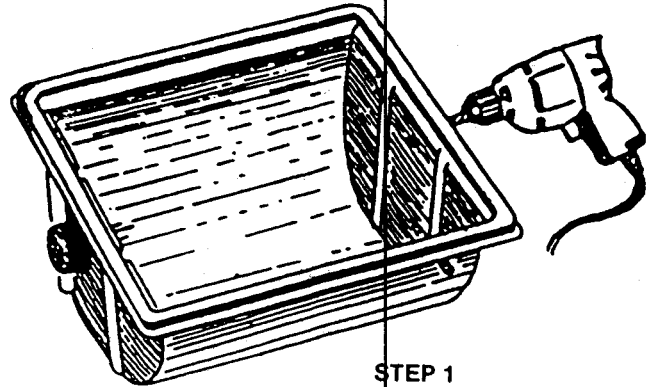


Model 465-1 & 465C-1

MODELS 1400 MM and CE-1

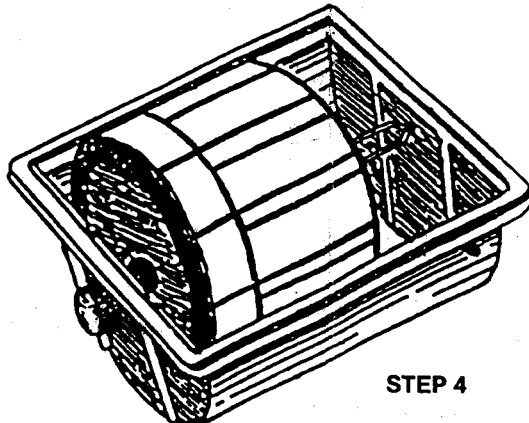
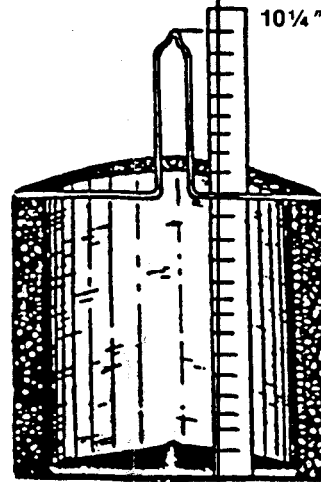
These models now being shipped contain a bearing installed to help extend motor life and reduce wear on the plastic reservoir. We are enclosing one of these bearings which we ask that you install according to the following directions. This will bring your humidifier up-to-date with the new models. For installation of motor, please refer to directions on the opposite side for Model 447-1. Model 1400 MM and CE-1 do not require spacer washers.

1) After removing the cage assembly and pad from the humidifier reservoir, use an electric drill with a $\frac{5}{16}$ " hi-speed bit to enlarge the hole at the end of the water reservoir (where the cage assembly wire end fits) by drilling it out. Be careful not to wiggle the drill and enlarge the hole too much.



2) Insert the enclosed plastic bearing, as shown, from the inside so that the flat part is on the inside wall of the reservoir.

3) Using a ruler that starts directly at the end, place it on the plastic closed end and then compress the wire end till the tip measures exactly $10\frac{1}{4}$ " from the closed end when released. Be sure to measure from the flat area of the closed end and not from a rib.



4) Reinstall the cage assembly and pad in the reservoir pan. Do not put tension on motor shaft. There should be a slight amount of "play" in the cage assembly. **DO NOT MANUALLY TURN THE CAGE.** Reinstall humidifier on the duct.