

FAUCET INSTALLATION for Value Series RO Faucets

RECOMMENDATIONS:

*Read and understand all instructions before starting this installation!

*This faucet is for use with cold water supply only.

WARNING – DO NOT USE FOR HOT WATER APPLICATIONS.

*Wear eye protection while using any tool to avoid injury.

*Determine where you will install the faucet. If using existing cut out in sink, it must be a minimum of 7/8" diameter and no larger than 1-1/8" diameter hole. If additional cut out is required, a 7/8" diameter hole is preferred.

Stainless Steel Sinks: you'll need a 7/8" diameter knockout punch or drill with the appropriate size drill bit, available at most hardware stores.

Porcelain or Cast Iron Sinks: special tools are required to drill through these materials. If you are not familiar with this process, you should consider having this done by a professional plumber.

WARNING – DO NOT ATTEMPT TO DRILL WITHOUT THESE SPECIAL TOOLS, AS YOU MAY DAMAGE YOUR SINK!

INSTRUCTIONS:

Step 1: Assembling Faucet With Air Gap For RO System

If faucet is being installed without an RO unit, skip step 1 and go to step 2.

Faucet may already have air gap attached to the body, in this case, attach tubing as described and follow remaining instructions.

NOTE: It is important that enough tubing be installed on the brine inlet and brine outlet of the air gap so that installation of RO unit can be completed. Excess tubing can be trimmed to the proper length after faucet is mounted. Tubing is not supplied with faucet. Installation must be in accordance with local plumbing codes.

Step 2: Install Faucet

Locate mounting hardware (refer to figures on opposite side). This will consist of six items; a black rubber gasket, a steel mounting washer, a white spacer (use if needed), a small steel flat washer, a steel lock washer, and a brass mounting nut. With black rubber gasket in hand, feed tubing from faucet through rubber gasket. Align rubber gasket with bottom of base. Next, add remaining 5 parts to the threaded copper tube loosely (do not tighten). Parts are to be assembled in the same order listed above, except for steel mounting washer, set this aside (do not discard). Next feed all tubes and mounting hardware into the mounting hole in sink using care, as there may be sharp edges if a new hole has been made. With faucet base and gasket seated over mounting hole, take the steel mounting washer and slide it between mounting surface and white spacer (if spacer is not being used, slide between small steel washer and mounting surface) keeping in line with threaded copper tube. Tighten brass mounting nut so that faucet barely moves against mounting surface, adjust faucet to desired orientation on sink. Tighten mounting nut, do not over tighten. With faucet in place and tight, plumbing connections can be completed.

Step 3: Plumbing Connection

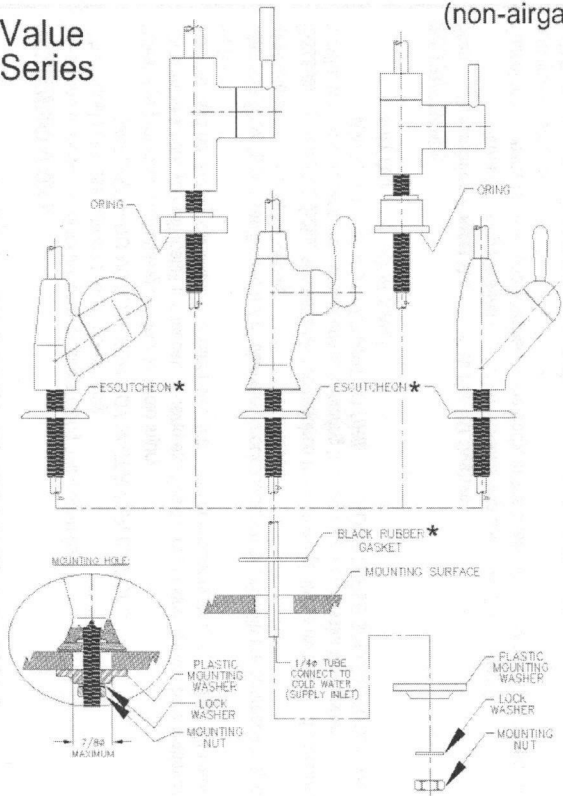
If using an RO system, see directions provided with RO unit for final connections.

To connect cold water supply line when not using an air gap (without RO system), locate 1/4" diameter blue cold water inlet tubing (supply inlet) that passes through threaded copper tube. Connect this tube to any cold water supply line with the use of a saddle valve (not provided) or any other approved method (consult local plumbing code).

NOTE: Removal of the 1/4" diameter blue cold water inlet tube (supply inlet) from threaded copper tube will void warranty.

Value Series

(non-airgap)

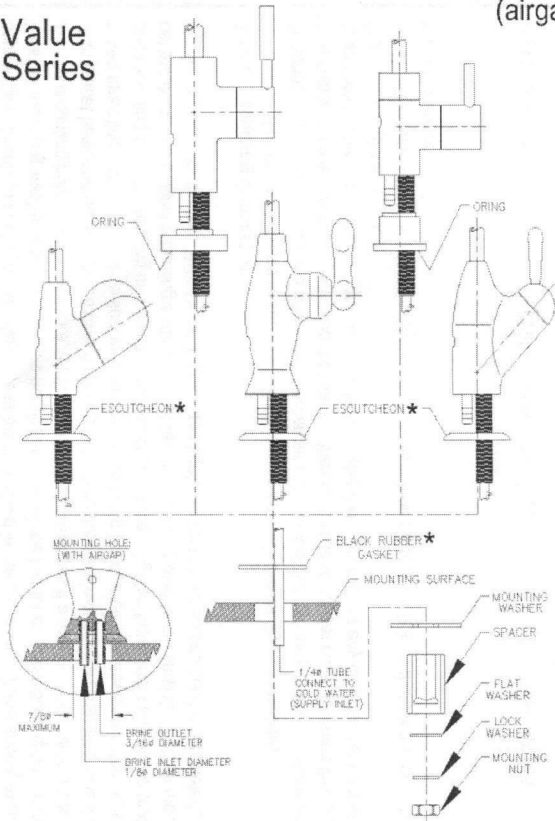


*** NOTE:**

BLACK RUBBER GASKET USED WITH ESCUTCHEON FAUCETS ONLY.

Value Series

(airgap)



*** NOTE:**

BLACK RUBBER GASKET USED WITH ESCUTCHEON FAUCETS ONLY.