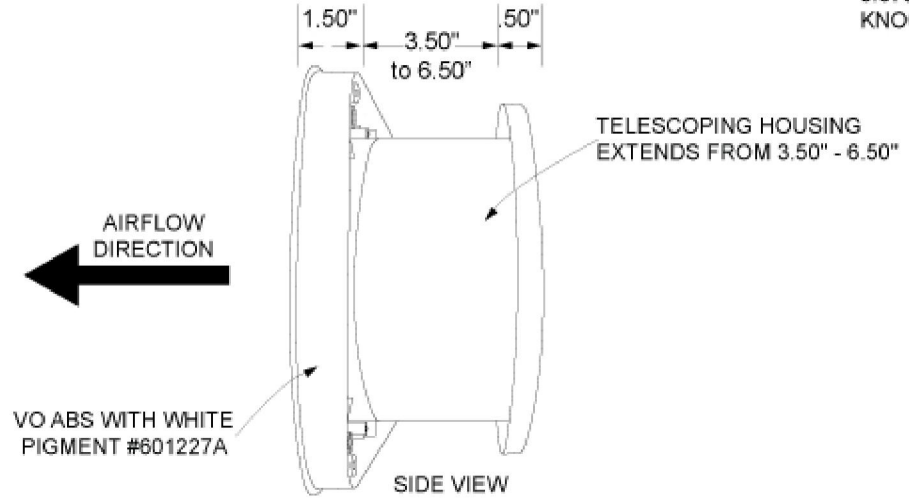
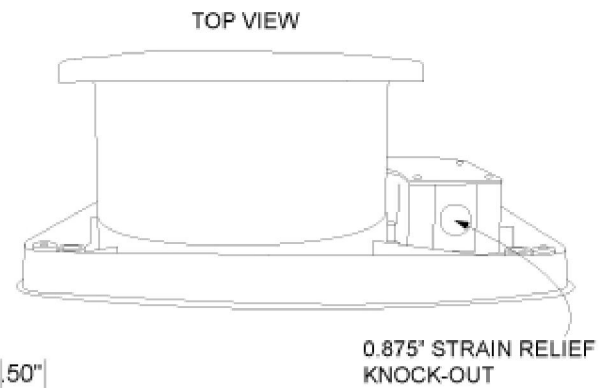
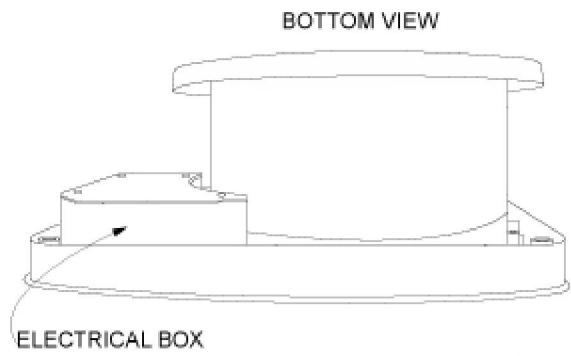


ROOM TO ROOM FAN
THRUWALL™

MODEL TW208P

UNIT WEIGHT: 6.00 LBS. • CFM: 100/200 • AMPS: 0.75 • dBA: 49/55 • HOUSING LENGTH: 3-1/2"-6-1/2" • BLADE TYPE: ALUMINUM
 RUNNING WATTS: 55 • ETL® LISTED • 120 VAC 60 Hz THERMALLY PROTECTED MOTOR • VARIABLE SPEED
 MOUNTING HARDWARE: (7) #6 SCREWS. (7) WALL ANCHORS. (3) WIRE NUTS.

TW208P-SS-1104



N.T.S.

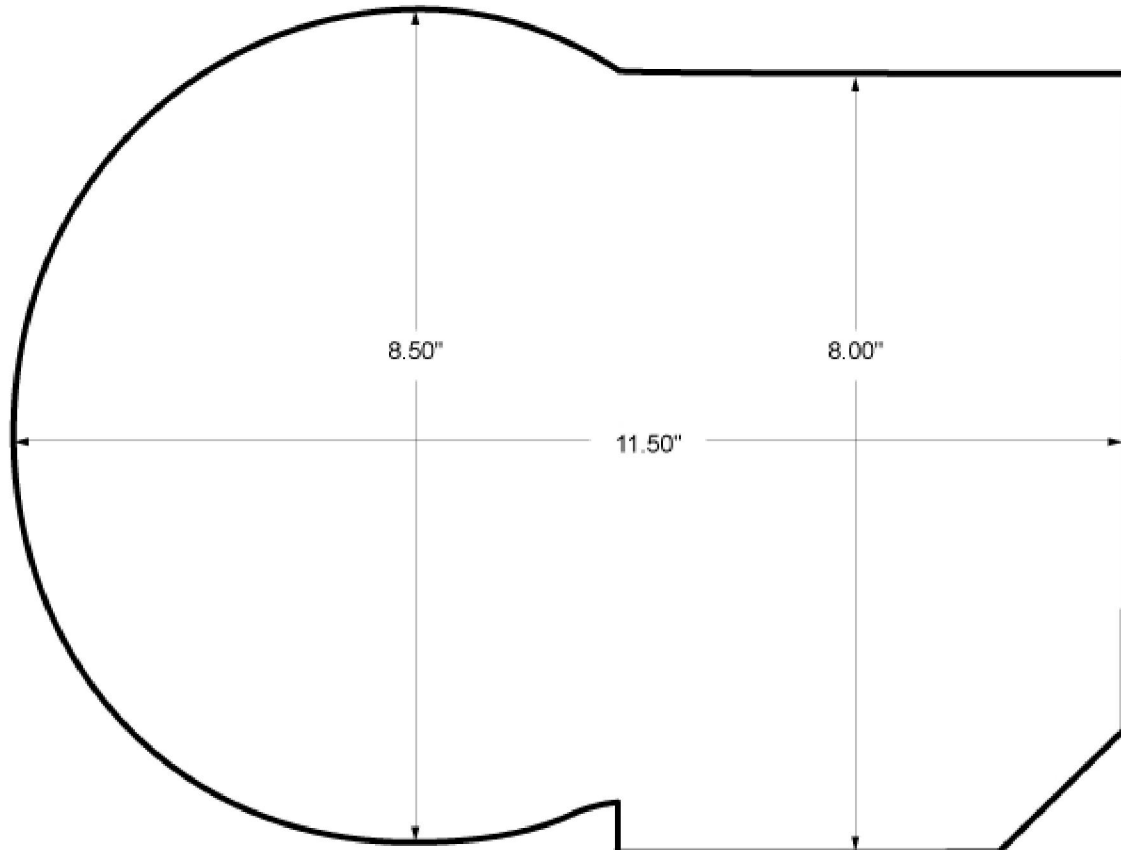
PAGE 2 OF 3

ROOM TO ROOM FAN
 **THRUWALL™**

MODEL TW208P

UNIT WEIGHT: 6.00 LBS. • CFM: 100/200 • AMPS: 0.75 • dBA: 49/55 • HOUSING LENGTH: 3-1/2"-6-1/2" • BLADE TYPE: ALUMINUM
 RUNNING WATTS: 55 • ETL® LISTED • 120 VAC 60 Hz THERMALLY PROTECTED MOTOR • VARIABLE SPEED
 MOUNTING HARDWARE: (7) #6 SCREWS. (7) WALL ANCHORS. (3) WIRE NUTS.

TW208P1302-1104



N.T.S.

PAGE 3 OF 3



MODEL TW208P TEMPLATE

UNIT WEIGHT: 6.00 LBS. • CFM: 100/200 • AMPS: 0.75 • dBA: 49/55 • HOUSING LENGTH: 3-1/2"-6-1/2" • BLADE TYPE: ALUMINUM
RUNNING WATTS: 55 • ETL® LISTED • 120 VAC 60 Hz THERMALLY PROTECTED MOTOR • VARIABLE SPEED
MOUNTING HARDWARE: (7) #6 SCREWS, (7) WALL ANCHORS, (3) WIRE NUTS.

TW208P12S-1204

