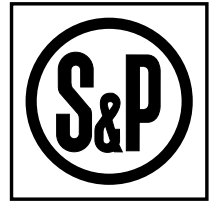


# MODEL TD-MIXVENT

(For High Air Flow to Pressure Ratio Applications Minimum Space)

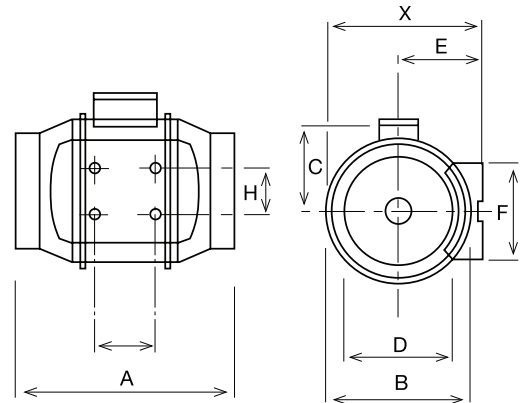


The World's Leading Producer of  
Air Movement Products

6393 Powers Avenue  
Jacksonville, Florida 32217-2298  
P: 800.961.7370 F: 800.961.7379  
www.solerpalau-usa.com

## Dimensions inches/mm

Model	X	A	B	C	D	E	F	G	H
TD-100	5 15/16 151	9 1/8 232	5 7/16 138	3 3/4 96	3 7/8 98	3 1/4 82	3 3/4 95	1 7/8 48	5 3/16 131
TD-100x*	7 3/8 188	11 15/16 303	6 15/16 176	4 1/8 115	3 13/16 97	3 15/16 100	3 9/16 90	3 1/8 80	2 1/8 60
TD-125*	7 3/8 188	16 7/16 258	6 15/16 176	5 115	4 13/16 123	3 15/16 100	3 9/16 90	3 1/8 80	2 3/8 60
TD-150	8 3/8 212	18 1/4 295	7 7/8 200	5 9/16 127	5 13/16 147	4 3/8 112	5 1/8 130	3 1/8 80	2 1/4 60
TD-200	9 1/8 233	19 11/16 302	8 9/16 217	5 9/16 141	7 13/16 198	4 7/8 124	5 1/2 140	3 15/16 100	3 11/16 94
TD-200x	9 1/8 233	19 11/16 302	8 9/16 217	5 9/16 141	7 13/16 198	4 7/8 124	5 1/2 140	3 15/16 100	3 11/16 94
TD-250	11 7/16 291	25 3/4 386	10 11/16 272	7 9/16 192	9 3/4 248	6 1/8 155	6 5/8 168	5 11/16 145	5 1/2 140
TD-315	14 356	17 3/4 450	13 1/4 336	8 13/16 224	12 1/4 312	7 3/8 188	8 1/4 210	7 3/16 182	7 178



FAN DATA					
Fan No.	Qty.	Model No.	CFM	SP	RPM

MOTOR DATA					
AMPS	RPM	VOLTS	PH	HZ	ENCLOSURE

ACCESSORIES	1	2	3	4	5	REMARKS

PROJECT: \_\_\_\_\_ CONTRACTOR: \_\_\_\_\_  
 LOCATION: \_\_\_\_\_ REVISION DATE: \_\_\_\_\_  
 FORM NO.: \_\_\_\_\_ SUBMITTED BY: \_\_\_\_\_ DATE: \_\_\_\_\_  
 ENGINEER: \_\_\_\_\_ APPROVED BY: \_\_\_\_\_ DATE: \_\_\_\_\_



\*TD 100x & 125 are currently not Energy Star certified.

For more information contact us at [www.solerpalau-usa.com](http://www.solerpalau-usa.com) or 1.800.961.7370 for additional submittal drawings.

Soler & Palau will not be responsible for fabrication changes or errors resulting from customer use of a non-current submittal drawing.