



T180 PROGRAMMABLE THERMOSTAT

SMART ENERGY MANAGEMENT



HIGHLIGHTS

- 7 Day Programmable
- Energy Star, ASHRAE 90.1, and Title 24 Compliant
- 24 or 110-277 VAC Supply Voltage Selection
- Auto-Staged Fan Available
- Occupancy HVAC Control Input
- Controlled Off Safety Option
- Key Pad Lockout - Partial or Full
- Setback Capability
- 2-pipe/4-pipe Configuration
- Auto Summer/Winter Changeover Option
- Local or Remote Sensing
- LCD Display with Backlight
- Fahrenheit or Celsius Display

A New Standard in Fan Coil Thermostats

The T180 thermostat brings smart energy management to the fan coil market, featuring Title 24 and Energy Star compliance. The T180 offers full 7 day, 4 event programmability making it ideal for condominiums, residential care facilities, or any fan coil application where programmability is mandated by code.

A Broad Range of Adjustments

Various configurations can supply staged fan, cycled fan, continuous fan, controlled off and fan coil operation. Additional energy saving features include range limit adjustment, staged fan, occupancy and setback control.

The T180 retains all of the capability and flexibility that made the T170 a market favorite including 2/4 pipe support, built-in occupancy detection logic, remote probe capability, and an ADA-compliant design.

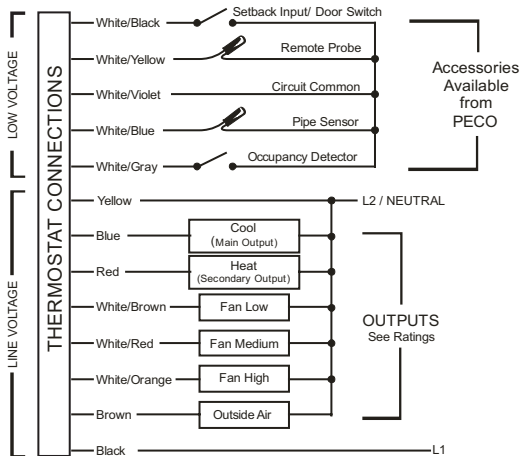
T180 PROGRAMMABLE THERMOSTAT

TECHNICAL SPECIFICATIONS

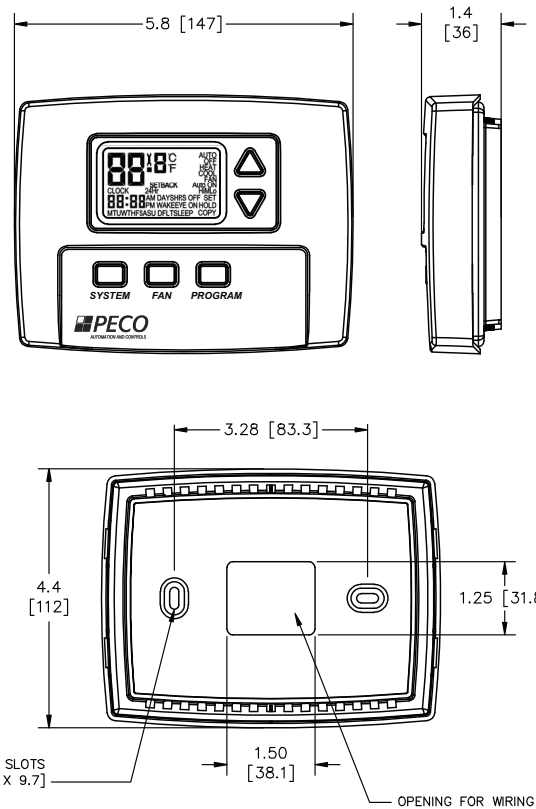
| | |
|-------------------|---|
| Temperature Range | 50 to 90°F / 10 to 32°C factory default, adjustable inward |
| Maximum Ambient | 130°F / 54°C |
| Load Connections | Wire leads |
| Mounting | Installs on a standard 4" x 4" (101.6mm x 101.6mm) device box with a 2" x 4" (50.8mm x 101.6mm) horizontal mud ring |
| Agency Approvals | UL, UL Canada |



WIRING DIAGRAM



MOUNTING INSTRUCTIONS



RATINGS

| VOLTAGE | RATINGS | | RES AMPS | PILOT DUTY | HP |
|---------|---------|------|----------|------------|-----|
| | FLA | LRA | | | |
| 24 VAC | NA | NA | NA | 24 VA | NA |
| 120 VAC | 5.8 | 34.8 | 6.0 | 125 VA | 1/4 |
| 240 VAC | 2.9 | 17.4 | 5.0 | 125 VA | 1/4 |
| 277 VAC | 2.4 | 14.4 | 4.2 | 125 VA | 1/4 |

COMBINED LOAD CURRENT NOT TO EXCEED 20 AMPS

MODEL SELECTION GUIDE

| Model | Part Number | Description |
|-----------|-------------|--|
| TA180-001 | 69378 | 7-Day Programmable, 3 Fan Speeds, 24-277VAC, FC Stat |
| TB180-001 | 69379 | 7-Day Programmable, Staged Fan Speed, 24-277VAC, FC Stat |



Automation and Controls
Division of PECO, Inc.
PO Box 82189, Portland, OR 97282

Phone: 800-874-8547 / 503-233-6401
Email: sales@pecomanufacturing.com
www.pecomanufacturing.com