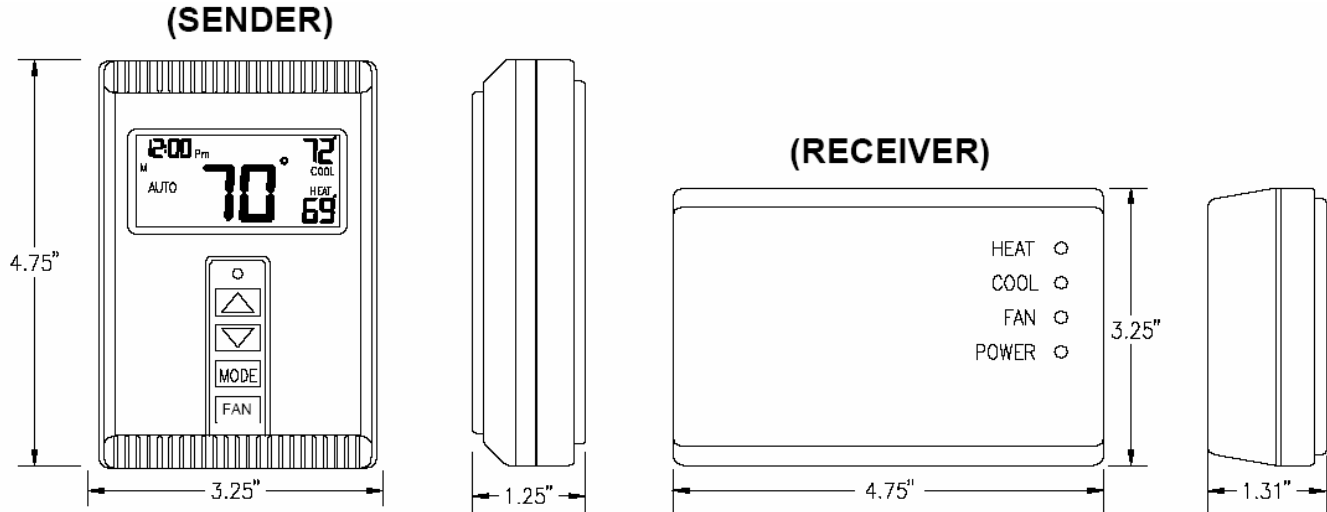


# Venstar Wireless 7-Day Programmable Thermostat and Receiver



**STANDARD FEATURES:**

- Wireless remote control thermostat
- Auto Changeover, 2-Stage Heat & 2-Stage Cool for use with gas / electric or heat pump systems.
- Thermostat is completely wireless. Receiver can be mounted at unit or at old thermostat's location.
- Up to 4 thermostats can be used with one receiver.
- Transmits up to 500 feet, through walls and floors.
- Transmits at 418MHz using pulse code modulation - won't interfere with other wireless systems
- Sender uses two AA batteries
- 7 Day Programmable with 4 time periods per day, copy command and holiday mode
- Dual-setpoint with adjustable deadband (1 to 6 degrees) and temperature sensor calibration.
- Programmable Fan
- All programming stored in nonvolatile memory.
- Thermoglow Electro-luminous Display.
- Display shows heat and cool setpoints, mode, and room temperature simultaneously.
- 5 minute compressor time guard and adjustable cycle limit, both overrideable for servicing equipment
- Setpoint adjustment range from 35° to 99° F, sensing range from 32° to 99° F.
- 64 house codes allow installation of up to 64 systems within transmit range with no interference.
- Meets California Residential Title 24.

MODEL:	TSTATWIRELESS TSTATRECEIVER	QUANTITY:		DATE:		
JOB NAME:						
LOCATION:						
BUYER:				BUYER P.O.#:		
ENGINEER:						