

APPLICATION NOTE: CURRENT SWITCH FOR BOOSTER FANS

Please Read And Save These Instructions.

WARNING - TO REDUCE THE RISK OF FIRE, ELECTRIC SHOCK, OR INJURY TO PERSONS, OBSERVE THE FOLLOWING:

a) Installation work and electrical wiring must be done by qualified person(s) in accordance with all applicable codes and standards, including fire-rated construction. All wiring must be performed in accordance with the National Fire Protection Association's (NFPA)"National Electrical Code, Standard #70"-current edition for all commercial and industrial work. All wiring must be performed by a qualified and licensed electrician..

b) Before installing current switch, fan or dryer, servicing or cleaning unit, or performing any electrical work switch power off at service panel and lock the service connecting means to prevent power from being switched on accidentally.

The Current Switch unit when properly installed senses a current draw of greater than 1.25 Amps and automatically switches on the booster fan. No other sensors, switches or speed controls are required. The current switch is rated for 120VAC Booster Fans requiring a maximum of 2.5 amps and for Dryers drawing between 1.25 Amps and 40 Amps when in operation.

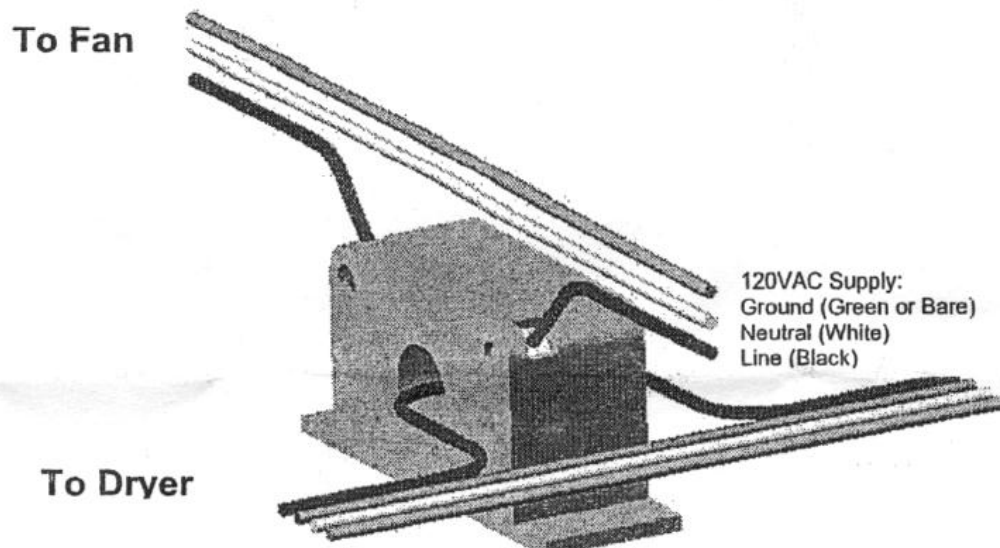
The current switch must be installed within an electrical enclosure(not supplied). The switch should be secured within the enclosure via 2 screws (not supplied) installed through the mounting holes in the switch flanges.

The Current Switch must be Connected as Follows:

1.Pass Line 1 (Black Lead) of the 240VAC supply to the dryer through the 3/4" hole in the center of the current switch and connect the the leads to the Dryer as specified by the Dryer Manufacturer. Removal of Insulation from Line 1 (Black Lead) at the current switch is not required.

Do Not pass any other leads through the 3/4" hole in the current switch!

2. Cut the Line lead (Black Lead) of the 120V AC supply to the Fan and remove approximately 1/2" of insulation from the cut ends. Clamp the bared end of the Line lead (Black Lead) from the 120V AC supply to the L1 terminal of the current switch. Clamp the bared end of the Line lead (Black Lead) from the Fan to the T1 terminal of the current switch. Connect the leads to the Fan as specified in the Fan Manufacturers Installation Instructions



Note: Some 240VAC Systems may only have 3 wires, Line 1 (Black), Line 2 (Red) and Ground (Green or Bare).

If Lead Colors do not match those shown a Qualified Licensed Electrician should identify each lead prior to connection.