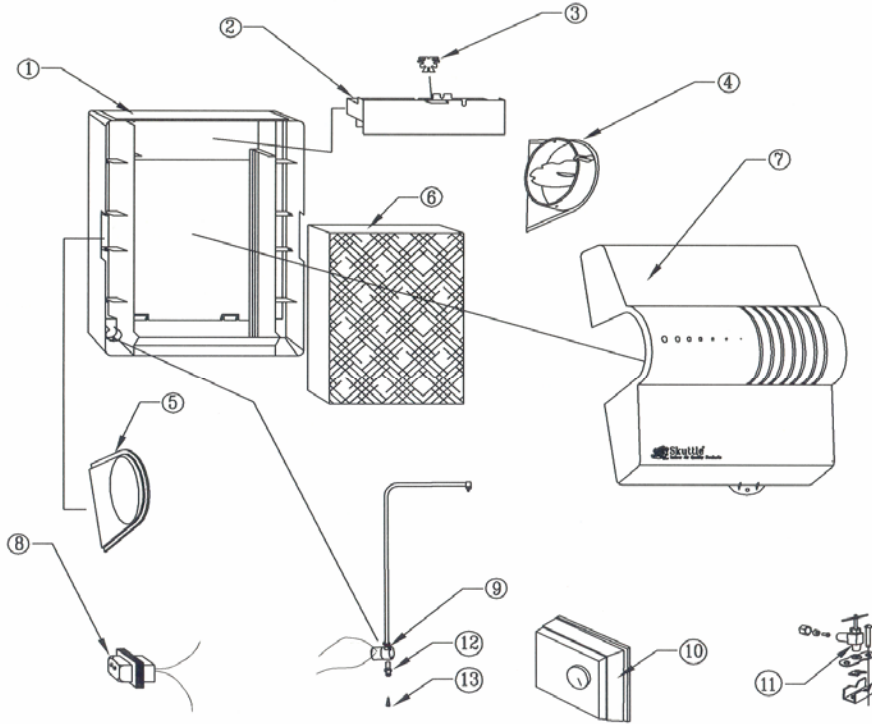


## Model 2000 and 2100 Replacement Parts



Key Number	Part Number	Standard Package	Description
1	000-1730-094	1	Mounting Base
2	000-0602-055	1	Drip Tray
3	000-1317-091	1	Wick
4	A00-1730-124	1	Side piece with Damper Assembly
5	000-1730-089	1	Solid Side Piece
6	A04-1725-052	12	** Replacement Media with Wick
7	A00-0641-171	1	Cover (Includes Label, Screw, & Retaining Washer)
8	000-0814-008	1	Transformer 24V, 10VA, 120V Primary
9	A01-0814-148	1	24 Volt Solenoid (Universal Kit)
10	SK0-0055-001	1	Humidistat Assembly for 2000
10	SEH-7100-000	1	Automatic Humidistat for 2100
11	A00-1128-005	1	Saddle Valve
12	000-1106-030	1	Orifice Fitting, Includes Filter (Key #13) Compression Nut and Ferrule
13	000-1319-051	1	Inline Filter
Not shown	K00-2000-000	1	Small Parts Kit ( Includes: Cover Screw & Retainer, Water Feed Tube, 90° Brass Elbow, Elbow Retainer & Screw)