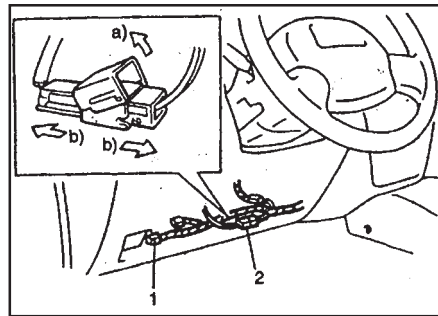


1

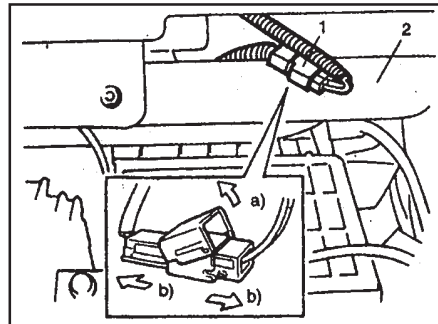
Tools:
Phillips screw
driver

- Disconnect and isolate the battery ground cable. Wait at least 90 seconds for the air bag system back-up power supply to discharge.
- Remove the air bag fuse from the fuse panel located at the lower lefthand side of the instrument panel.
- From under the left hand side of the instrument panel, disconnect the yellow air bag system contact coil electrical connector. Lift up the connector locking lever, then disconnect the connector.



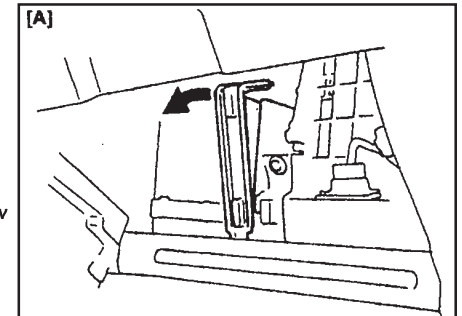
2

- Open the glove compartment.
- Press in on the side of the glove compartment, then pull the glove compartment downward.
- Through the glove compartment opening, disconnect the yellow passenger air bag module electrical connector. Lift up the connector locking lever, then disconnect the connector.



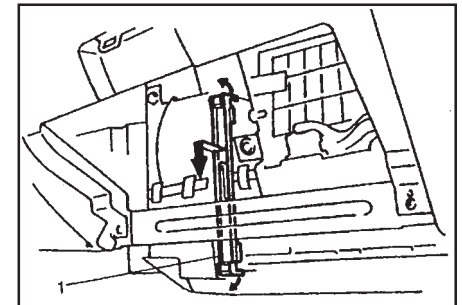
3

- Remove the cabin air filter access door from the A/C and heater unit through the glove compartment opening.
- Remove the upper cabin air filter element, then the lower filter element.
- Replace the new lower then upper filter elements with micronAir® cabin air filters. Ensure the filter element air flow arrow marking is facing in the proper direction.



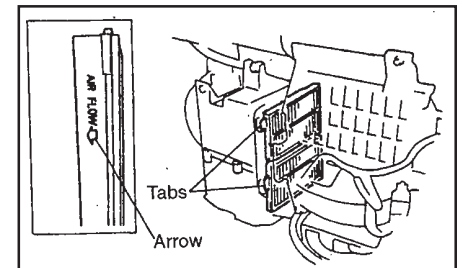
4

- Install the cabin air filter access door to the A/C and heater unit. Ensure the access door is properly seated.
- Connect the passenger air bag module yellow electrical connector, then engage the connector locking lever.
- Press inward on the sides of the glove compartment, then lift the glove compartment into position.



5

- Connect the air bag system contact coil yellow electrical connector, then engage the connector locking lever.
- Install the air bag fuse.
- Connect the battery ground cable.



This micronAir® Cabin Air Filter fits: Suzuki Vitara and Grand Vitara, model years 1999-2003 XL-7, model years 2001-2003.

Get in and breathe easy.

The vehicle manufacturer recommends that the filter be changed every year or 30,000 miles.

Engineered for Original Equipment Manufacturer Specifications.

www.micronAir.com

908552 REV. NC 186