

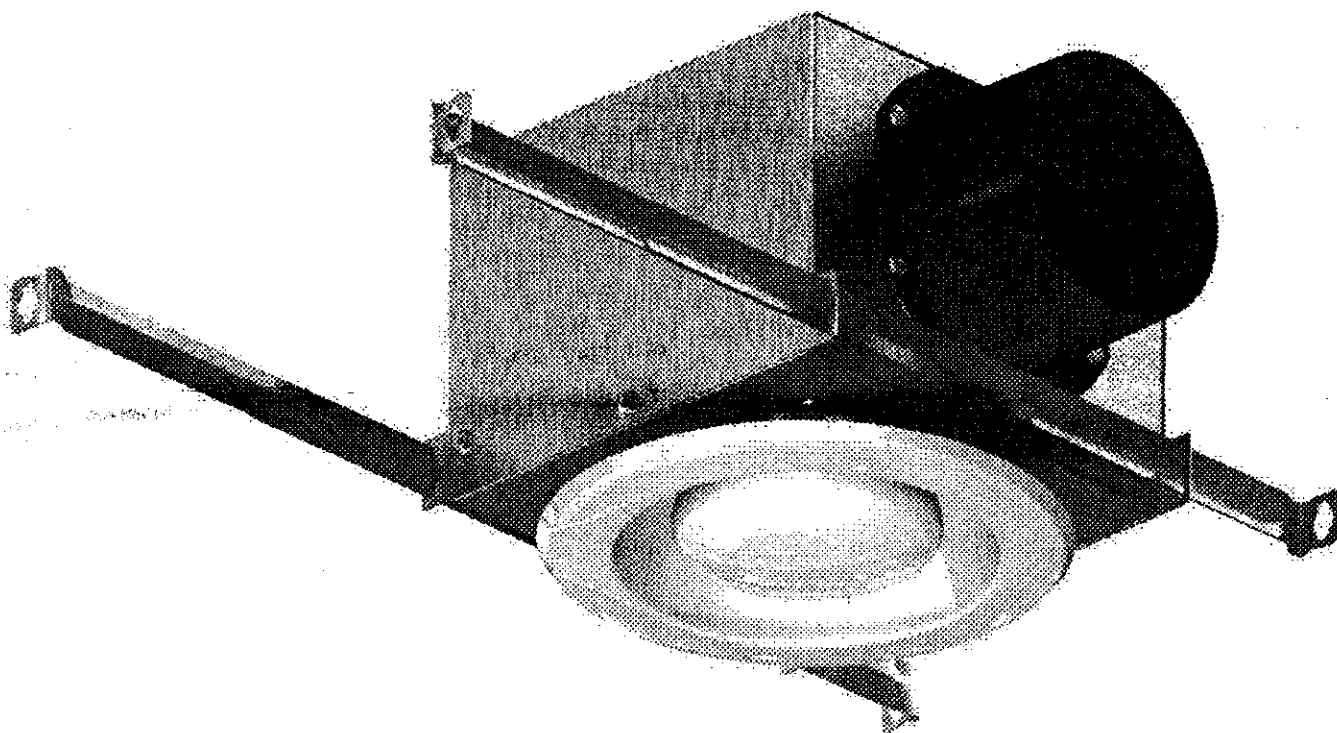
VENT LIGHT

Models VLH-100 and VLF-100

Must be installed with Soler & Palau Fan Model TD, PV, or SWF.

Doit être installé avec Soler & Palau Fan Modèle TD, PV, ou SWF.

Debe ser instalado con Soler y Palau de fans Modelo TD, PV, o SWF.



**INSTALLATION AND WIRING INSTRUCTIONS
INSTRUCCIONES DE MONTAJE
INSTRUCTIONS DE MONTAGE**

(English / Français / Español)

READ AND SAVE THESE INSTRUCTIONS
LIRE ET CONSERVER CES INSTRUCTIONS
LEER Y GUARDAR ESTAS INSTRUCCIONES

WARNING:

TO REDUCE THE RISK OF FIRE, ELECTRIC SHOCK, OR INJURY TO PERSONS – OBSERVE THE FOLLOWING:

- Use this unit only in the manner intended by the manufacturer. If you have any questions, contact your manufacturer's representative.
- Before servicing or cleaning unit, switch power off at service panel and lock the service disconnecting means to prevent power from being switched on accidentally. When the service disconnecting means cannot be locked, securely fasten a prominent warning device, such as a tag, to the service panel.
- Installation work and electrical wiring must be done by qualified person(s) in accordance with all applicable codes and standards. This unit is only for use in non-fire-rated installations.
- When cutting or drilling into wall and ceiling, do not damage electrical wiring and other hidden utilities.
- Never place a switch where it can be reached from a tub or shower.
- If this unit is to be installed over a tub or shower, it must be marked as appropriate for the application and be connected to a GFCI (Ground Fault Interrupter) - protected branch circuit.
- Sufficient air is needed for proper combustion and exhausting of gases through the flue (chimney) of fuel burning equipment to prevent backdrafting. Follow the heating equipment manufacturer's guideline and safety standards such as those published by the National Fire Protection Association (NFPA), and the American Society for Heating, Refrigeration and Air Conditioning Engineers (ASHRAE), and the local code authorities.
- Exhaust fans must always be vented to the outdoors.
- Install this product in a flat ceiling only.
- Not for use in fire-rated installations.

CAUTION:

- For general ventilating use only. Do not use to exhaust hazardous or explosive materials and vapors.
- Must be installed with Soler & Palau Fan Model TD, PV, or SWF. Installation without fan will result in nuisance tripping.

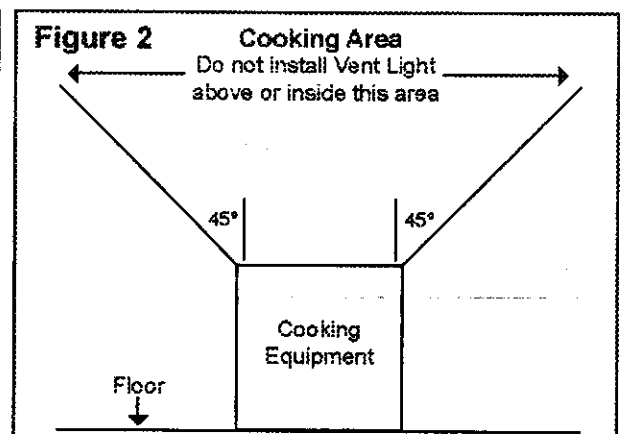
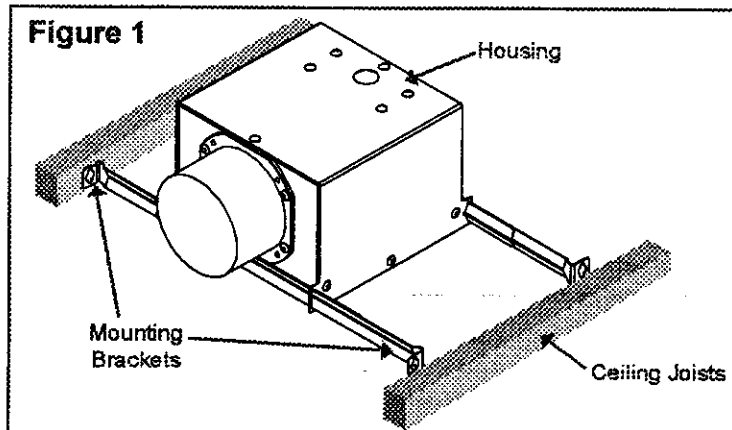
RISK OF FIRE:

Model VLH-100 - 50W MAX. LAMP Use PAR30, PAR30L, or PAR30LN lamps only (50W Max.). For wet locations (tub or shower) - use PAR30L or PAR30LN(50W Max.) lamp only. Use no other lamp types. Do not install a lamp identified for use only in enclosed luminaries.

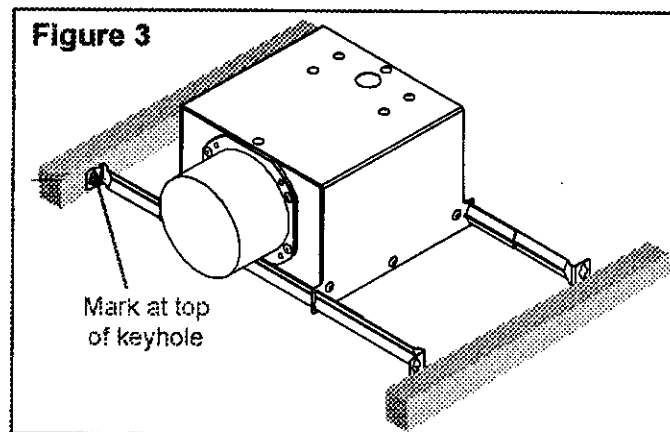
Model VLF-100 – Use PAR30 GU24 style base lamp. For wet locations, use Technical Consumer Products model 3316PF30, Neptun Model 93014-GU or equivalent wet location rated bulb that is suitable for use in open luminaries.

INSTALLATION:

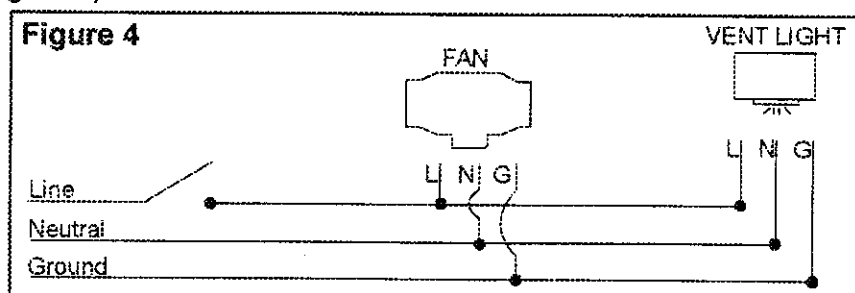
1. Plan the installation location of the Vent Light. The unit can be installed anywhere between ceiling or floor joists using mounting brackets provided (Figure 1). Do not install in a cooking area (Figure 2).



2. Install mounting brackets by sliding them through the tabs located on the Vent Light.
3. Position the Vent Light so that there is 1/8" clearance between the bottom of the housing and the ceiling material. Mark the screw or nail locations by placing a mark at the top of the keyhole slot on all four mounting brackets. (Figure 3)



4. Pound nails or secure screws into the joist, leaving approximately 1/4" exposed.
5. Decide where the electrical supply will be brought into the Vent Light and remove the appropriate knock-out.
6. Position Vent Light and slide keyholes of the four mounting rails through the exposed nails or screws and secure to the joist by tightening the screws or pounding the nails tight.
7. Make electrical connections by removing the electrical cover located within the Vent Light using a screwdriver. Complete supply connections in accordance with local and/or National Electric Codes. (Figure 4)



8. Cut an opening in the finished ceiling material for housing collar to fit through.
9. Insert the trim baffle into the housing by pressing the baffle into the collar. The retaining clips will securely hold the baffle.
10. Install Bulb
Model VLH-100 – Use PAR30, PAR30L, or PAR30LN lamps only (50W Max.). For wet locations (tub or shower) - use PAR30L or PAR30LN(50W Max.) lamp only.
Model VLF-100 – Align the pins of the bulb with the bulb base, insert bulb, and turn clockwise to secure bulb in place. Use PAR30 GU24 style base lamp. For wet locations, use Technical Consumer Products model 3316PF30, Neptun 93014-GU or equivalent wet location rated bulb that is suitable for use in open luminaries.

WARRANTY

Soler & Palau USA - Soler & Palau Canada warrant that this product will be free from defective materials and workmanship for the period of (7) years from the date of original purchase. In the event that we find any part is defective the product will be repaired or, at the Company's discretion, replaced without charge provided that the product has been installed in accordance with the enclosed instructions and all applicable state and local building codes. This warranty does not extend to the actual lamps used with these products

IF CLAIMING UNDER WARRANTY

Please return the complete product, freight paid, to you local authorized distributor. All returns must be accompanied by a valid Bill Of Sale. All returns must be clearly marked "Warranty Claim," with an accompanying description stating the nature of the fault.

THE FOLLOWING WARRANTIES DO NO APPLY

Damages from shipping, either concealed or visible. Claim must be filed with the carrier.

Damages resulting from improper wiring or installation

Damages caused by acts of nature, or resulting from improper consumer procedures such as:

Improper Maintenance; Misuse; Negligence; Alteration; Abuse; Abnormal Use; or Accident or Incorrect Electrical Voltage and Current.

Removal or alteration to the Soler & Palau USA - Soler & Palau Canada data plate label.

WARRANTY VALIDATION

The end user must keep a copy of the Bill of Sale to verify purchase date.

THE ABOVE SEVEN (7) YEAR WARRANTY IS EXPRESSLY IN LIEU OF ALL OTHER WARRANTIES, EXPRESSED, WRITTEN OR IMPLIED, INCLUDING THE WARRANTIES OF MERCHANTABILITY AND FITNESS FOR USE. IN NO EVENT SHALL SOLER & PALAU USA - SOLER & PALAU CANADA BE LIABLE FOR ANY SPECIAL, CONSEQUENTIAL, OR INCIDENTAL DAMAGES, INCLUDING LOSS OF PROPERTY, REVENUES, LOST PROFITS, COSTS OF REMOVAL, INSTALLATION OR REINSTALLATION.