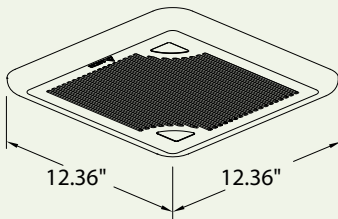
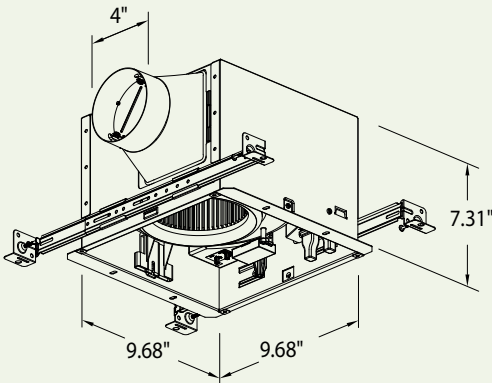




Delta BreezSignature G2 Ventilation Humidity Sensor Fan Specifications

SIG110H
(110 CFM)

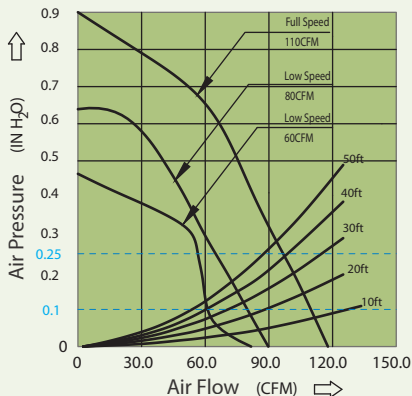
Dimensions



Built-in Controls



Fan Curve



Description

Low noise ceiling mount ventilating fan rated for continuous running. Fan has been awarded ENERGY STAR® Most Efficient in 2013. It is HVI, UL, and cUL certified, and can be used to comply with ASHRAE 62.2 (local and whole building continuous and intermittent operation), CA Title 24, and CALGreen requirements.

Motor/Blower

- Power rating of 120volts/60Hz
- DC brushless motor engineered to run continuously
- Motor equipped with thermal cutoff fuse
- Removable with permanently lubricated plug-in motor

Housing

- Galvanized steel body
- Detachable 4" diameter metal duct adapter
- Built-in backdraft damper
- Easy installation with expandable extension bracket

Grille

- Attractive design using ABS material
- Attaches directly to housing with torsion springs

Warranty

- 3-year limited warranty

Features

- Blue and amber LED indicator lights to show humidity sensor and full speed modes
- Adjustable humidity set points between ~50% to ~90% RH
- Adjustable low speed airflow
- For ceiling mount only, airflow of 110 CFM (±10%), and <0.3 sones at 0.1" static pressure
- Power consumption approximately 12.7 Watts with an efficiency rating approximately 8.7 CFM/Watt at 0.1" static pressure
- UL and cUL listed for tub/shower enclosure when used with GFCI-protected branch circuit wiring

DC Motor Technology

- Allows fan to operate in full speed mode or humidity control mode by manual switch
- For humidity control mode, when humidity is above the user-adjustable set-point, the fan runs at full speed (110 CFM). When humidity is below the set-point, the fan runs continuously at a user-preset lower level (0, 60, 80 CFM)
- Built-in soft start function to increase bearings' life
- Automatically powers off when the impeller is locked abnormally

SIG110H	4" Duct (Standard)					
	Continuous Low Speed				High	
Fan Speed						
Static Pressure (Inches w.g.)	0.1	0.25	0.1	0.25	0.1	0.25
Air Flow (CFM)	60	56	80	65	110	96
Sones	<0.3	0.4	<0.3	0.5	<0.3	1.2
Power Consumption (Watts)	6.2	10.8	8.2	10.8	12.7	15.6
Energy Efficiency (CFM/Watt)	9.9	5.3	9.8	6.0	8.7	6.2
Current (Amps)	0.38 Max					
Power Rating (V/Hz)	120/60					