

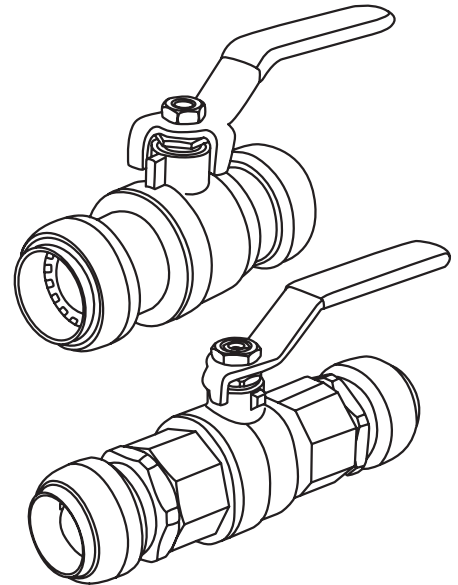
# SharkBite® Ball Valve

## DESCRIPTION

The Cash Acme SharkBite® Ball Valves are high quality forged brass ball valves with SharkBite® connections. The SharkBite® connections allows the user to connect the ball valves to copper tubing, CPVC and Pex in seconds with relative ease.

## FEATURES AND BENEFITS

- Convenient single lever control:  
*Makes them easy to use and encourages shut-off of water supply.*
- Full Port Ball Valve:  
*Allows water to flow freely through valve.*
- Instant push-fit connections for increased ease of use:  
*No soldering, clamps, unions, or glue required.*
- Valve assembled to strict quality standards:  
*Measured thread engagement, measured torque.*



## SPECIFICATION DATA

### Performance:

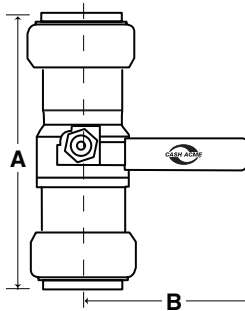
- Maximum pressure . . . . . 200 psi
- Maximum temperature . . . . . 200°F (water)
- Service . . . . . Water

### Ball Valve Materials:

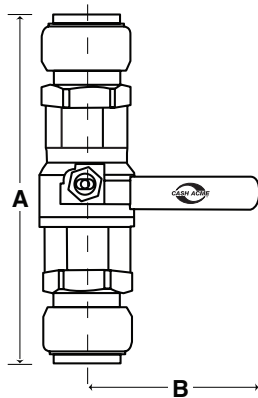
- Body . . . . . Brass
- Seat Ring . . . . . PTFE
- Ball . . . . . Brass, chrome plated
- Body End Retainer . . . . . Brass
- Stem . . . . . Brass
- O-ring . . . . . NBR
- Packing . . . . . PTFE
- Packing Nut . . . . . Brass
- Handle . . . . . Zinc plated steel
- Handle Nut . . . . . Zinc plated steel

### SharkBite® Materials:

- Body . . . . . DZR brass
- O-ring . . . . . EPDM
- Grab Ring . . . . . Stainless steel
- Tube support liner . . . . . Polysulfone



Dimensions	A	B
1/2" (22222-0000)	3.06"	3.70"
3/4" (22185-0000)	3.62"	3.70"
1" (22223-0000)	4.40"	4.66"



Dimensions	A	B
3/4" FNPT X 3/4" (22186-0000)	3.75"	4.5"

## CONNECTIONS

SharkBite® . . . . . 1/2" through 1"

## CERTIFICATIONS

The SharkBite® Ball Valve 1/2", 3/4" and 1" are certified to IGC-157/NSF-61, and listed by IAPMO.

