



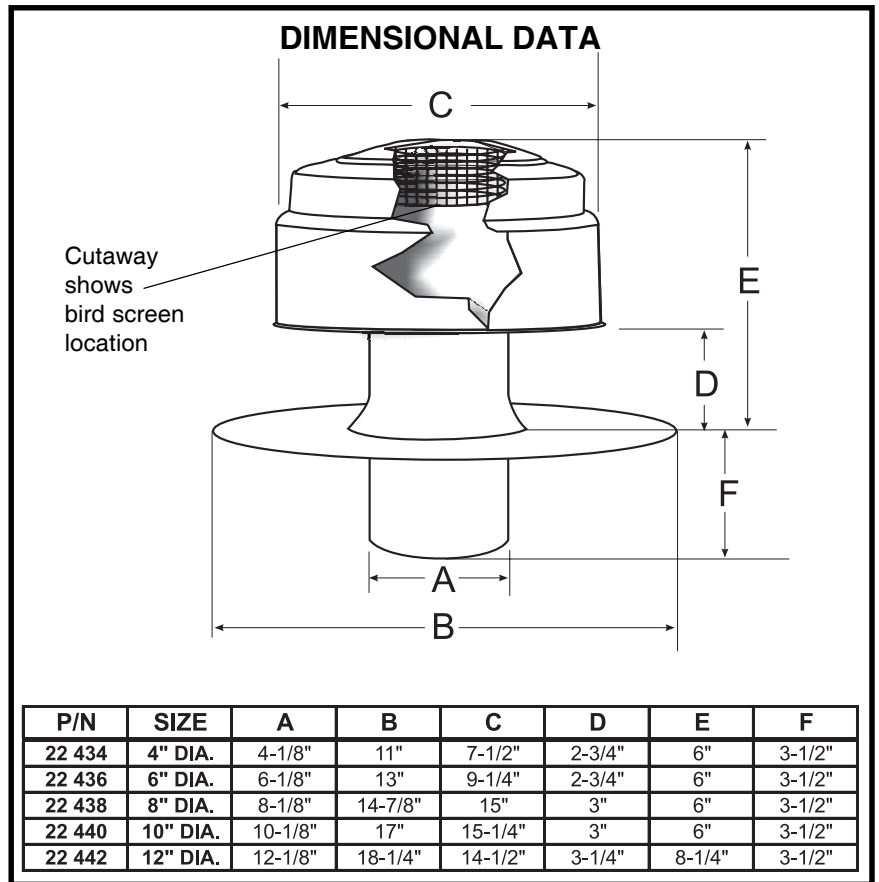
**Typical Specification**

**Round Spun Aluminum Roof Cap:** American ALDES Ventilation Corporation, Sarasota, FL (1-800-255-7749). ALDES Model RCR.

**General:** The roof cap shall be constructed of 0.045" type 1100 aluminum with "0" temper. The integral roof flashing and weather cap must be free of welded seams to prevent leaks. An integral collar extension for ducting attachment and 1/4" bird screening must be included. Where indicated on the drawings, the cap must be extended an additional 12" above the standard height dimension. Each roof cap must ship from the factory as a complete assembly.

**Model RCR -  
ROUND SPUN ALUMINUM ROOF CAP**

American ALDES Model RCR round spun aluminum roof caps are ideal vent duct terminations for sloped or flat roof penetrations. The seamless integral roof flashing and weather cap are impervious to water intrusion, and eliminate the need for curbs on most flat roof applications. Optional twelve-inch (12") extensions are available for applications in high snow-load areas. The "0" temper all-aluminum type "1100" construction is highly durable and corrosion resistant. An integral 3-1/2" collar allows for simple duct attachment. The cap also includes an integral bird screen and is removable for duct inspection and cleaning.



**WARRANTY**

The entire unit is guaranteed for 3 years, from date of shipment, against all manufacturing defects provided the material has been installed and operated per manufacturer's instructions and under normal conditions. Warranty is limited to the repair or replacement of the material upon its return freight paid to our factory. *This warranty is not transferable and is limited to the original end user.*

# AIRFLOW CHARACTERISTICS

