

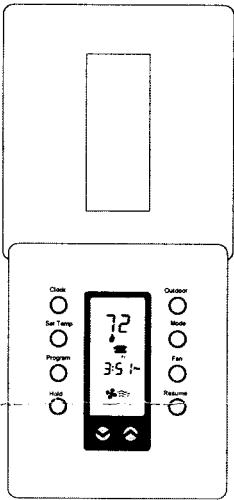
Robertshaw

10-531 TAP-1 THERMOSTAT ADAPTOR PLATE INSTALLATION INSTRUCTIONS

Not all combinations of installation are detailed. The basic idea of the plate is to mount it to the wall or 2x4 box and then mount the thermostat to the plate.

NOTE:

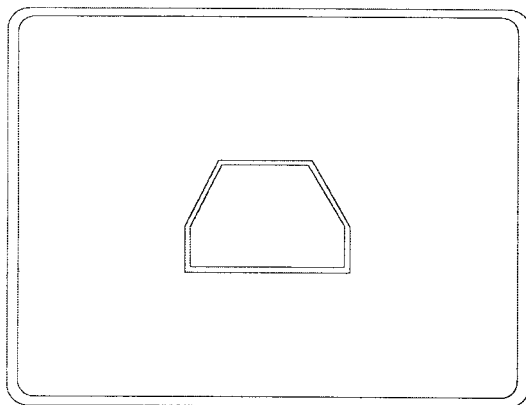
When mounting the thermostat to the plate using the self tapping screws, do not drill the hole larger than 1/8 inch to ensure the threads have something to grip.



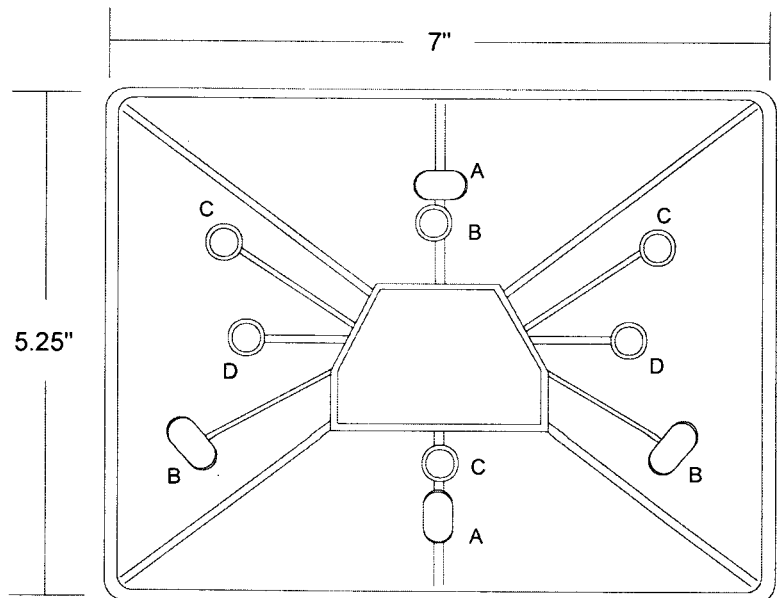
ON DRYWALL:
Use plugs and screws provided with thermostat and use holes 'A' for preferred orientation.

ON 2x4 BOX (vertical):
Use machine screws provided and drill out holes 'A'. Put screws through wall bracket and wall plate.

Models: All Robertshaw Products



FRONT VIEW (Not Actual Size)



REAR VIEW (Not Actual Size)