

**STANDARD INDOOR THERMAL SENSOR
MODEL PTS-ES3**
THERMISTOR
DESCRIPTION

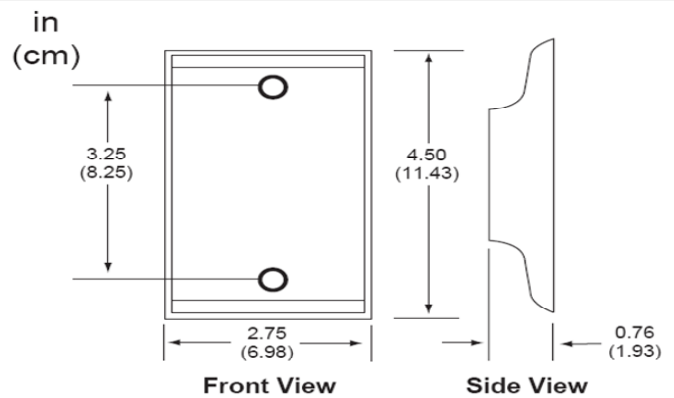
The Model PTS-ES3 Standard Indoor Thermistor Sensor is a cost-effective room temperature sensor for the Proliphix NT20e and NT120e/h Network Thermostats. The active sensing element is made of a highly stable, pre-aged material accurate to within +/- 0.5°F (0.28°C).

FEATURES

- Economical
- Attractive design
- Two-year warranty
- +/- 0.5°F (0.28°C) accuracy
- Durable white housing

APPLICATION

The Model ES3 is designed to be mounted indoors where appearance is important. The sensor may be mounted directly to the drywall or on a standard electrical outlet box without adapters.

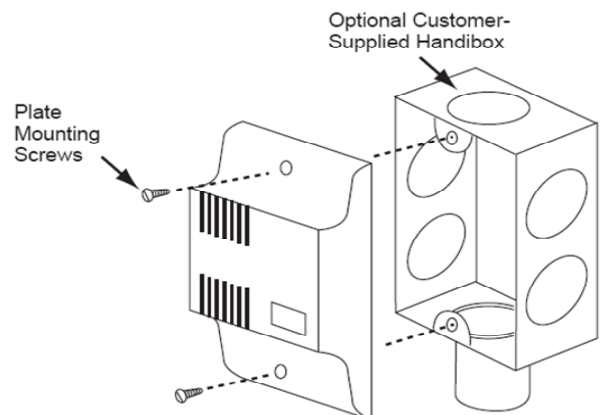

DIMENSIONS

SPECIFICATIONS

Sensing Element	Thermistor (thermal resistor)
Accuracy	+/- 0.5°F (0.28°C)
Temp Range	35° to 140°F (2° to 60°C)
Temp Response	NTC - Thermistor
Thermistor Stability	0.24°F (0.13°C) over 5 years
Connection	Terminals
Mounting	Directly to wall or customer-supplied back box, no adapters needed for standard boxes.
Color	White plastic with metal temperature transfer faceplate

MOUNTING

Toggle bolts or other direct wall-mount screws can be used where conduit is not required. Adapters are not required when mounting directly to electrical outlet boxes.

Basic model comes with screw terminal block, two #6-32 screws for handibox mounting, or for direct wall mounting.



The sensor should be mounted approximately 5' (1.5m) above the floor, on an interior wall, away from any heating or cooling generating devices.