



Quality and Reliability

Proven design using electrode technology perfected by Dri-Steam® a subsidiary of Research Products.

Easy to Install

Remote or duct mount with no additional accessories.

Easy to Maintain

No cleaning or scrubbing, simply remove canister and replace.

Dispersion and Absorption

Steam dispersion technology, ensures proper dispersion into the air, preventing condensation in duct.

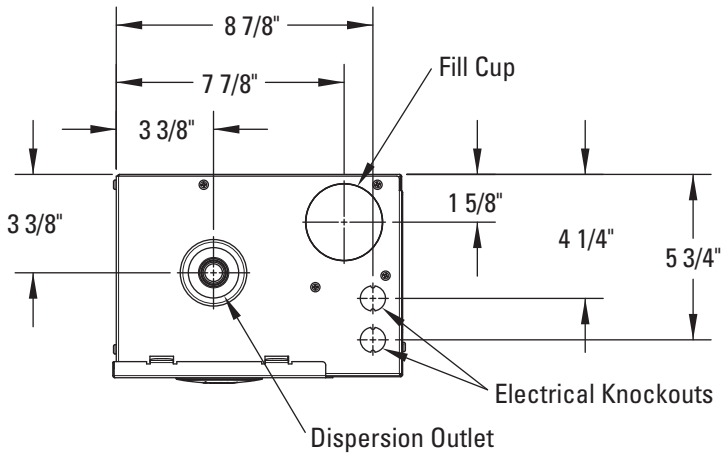
No Accessories Required

Water filtration not needed even in most difficult conditions. Control, dispersion tube, steam hose and drain tube included in the box.

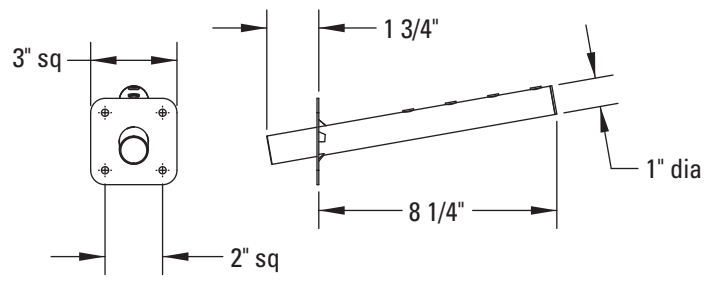
Voltage	kW	Maximum steam capacity	Current draw (amps)	Humidifier unit operating weight
		gal/day	Amps	lbs
120V	1.4	11.5	11.5	23
208V	2.4	20.5	11.5	23
240V	2.8	23.3	11.5	23

- Water Hardness – 3 to 36 grain per gallon, water filtration not necessary
- Supply water pressure must be between 25 psi and 120 psi
- Drain water flushes with fresh inlet water
- Electrical draw 11.5 amps \pm 10%, use 12.7 amps when sizing circuit
- 208 or 240v, run two conductors plus neutral plus ground
- Canister replacement once per humidifier season under normal conditions. Unit will automatically notify when canister must be replaced.

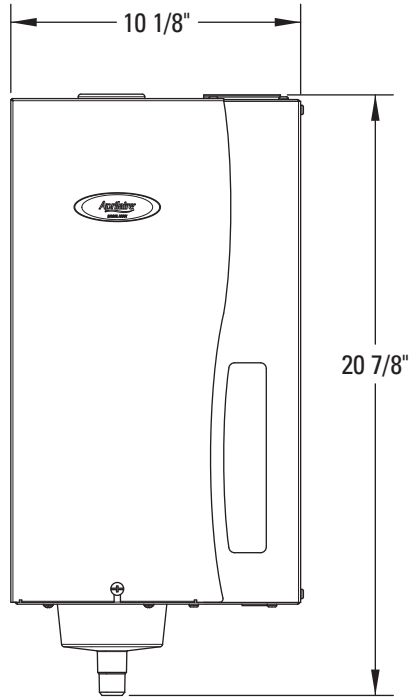
Humidifier & Dispersion Tube Dimensions



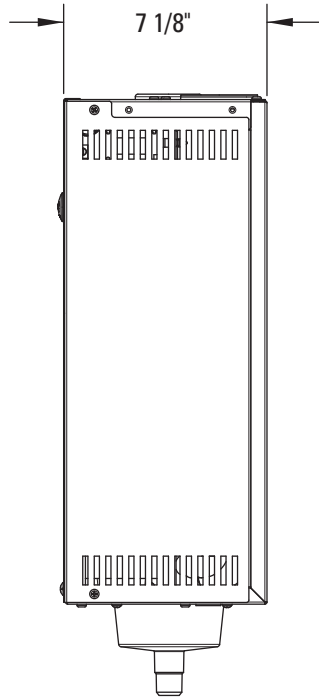
TOP VIEW



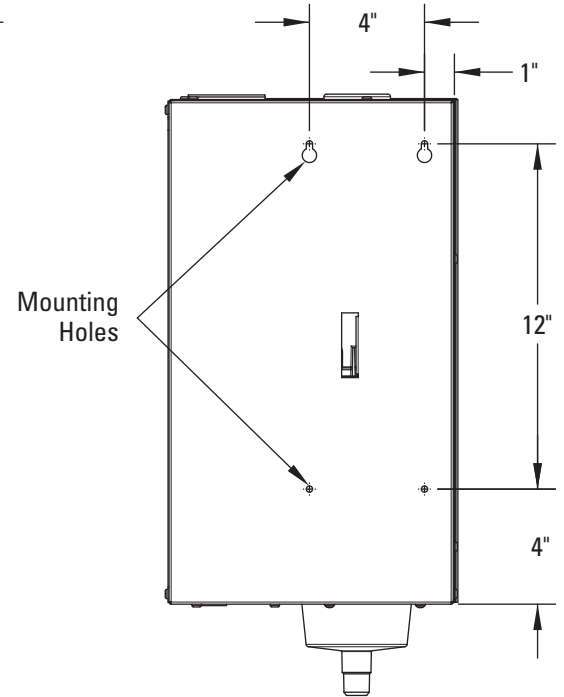
STEAM DISPERSION TUBE



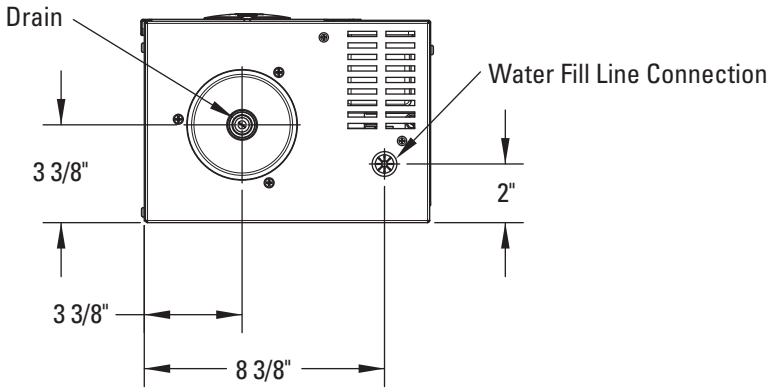
FRONT VIEW



SIDE VIEW



BACK VIEW



BOTTOM VIEW

RESEARCH PRODUCTS RESERVES THE RIGHT TO CHANGE SPECIFICATIONS WITHOUT NOTICE.