

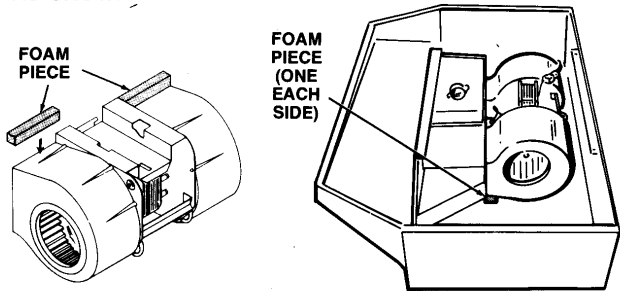
MICROTEK® SYSTEM III REPLACEMENT FILTER KIT

The Microtek® Filter Kit is the key to your ductfree range hood's operating efficiency. Replacing the multi-layer particle filter whenever it becomes noticeably dirty or discolored ensures proper range hood performance and will help keep your kitchen cleaner and brighter.

INSTALLATION INSTRUCTIONS

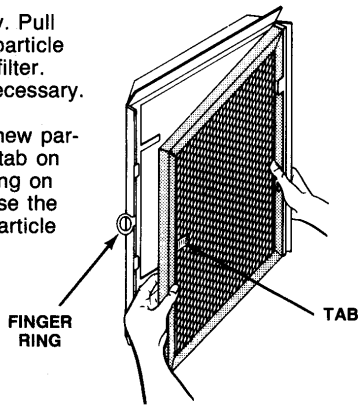
IF CONVERTING A HOOD TO DUCTFREE:

ATTACH THE TWO (2) FOAM PIECES (FROM THIS PACKAGE) TO BLOWER AS SHOWN.



SEE OWNER'S MANUAL FOR COMPLETE DUCTFREE CONVERSION INSTRUCTIONS.

1. Remove old filter assembly. Pull aluminum filter out of old particle filter, and discard particle filter. Wash aluminum filter, if necessary.
2. Snap aluminum filter into new particle filter. Make sure that tab on filter lines up with finger ring on new particle filter. Precrease the flaps on the sides of the particle filter for easier installation.

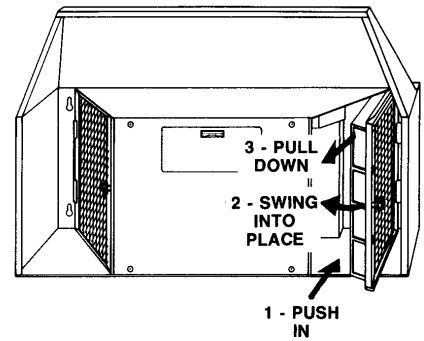


3. Push filter assembly up into hood. Make sure that top of filter slides into channel on top of hood.
4. Swing filter into place, and then pull filter down so that edge of filter slides behind lip on bottom cover.

NOTE: Filter is properly installed when finger ring is folded against aluminum filter.

Aluminum filter is dishwasher safe. Do not wash colored particle filter.

The particle filter should last up to 12 months with normal use. Replace the particle filter whenever it becomes noticeably dirty or discolored.



FLEXIBLE FLAP SPRINGS UP FOR AIR-TIGHT SEAL
FLAP FOLDS DOWN WHEN FILTER IS PUSHED INTO HOOD

