



TRUE COMFORT IIII

This manual covers the following models:

- **R251S** (Requires a Wired Sensor Capable Thermostat)



Caution:

Equipment damage hazard

Do not operate the cooling system if the outdoor temperature is below 50° F (10° C) to prevent possible compressor damage.

Table of Contents **Page**

Mounting Locations	2
Sensor Mounting & Setup	3
Wiring	4
Specifications & Contact Us	5

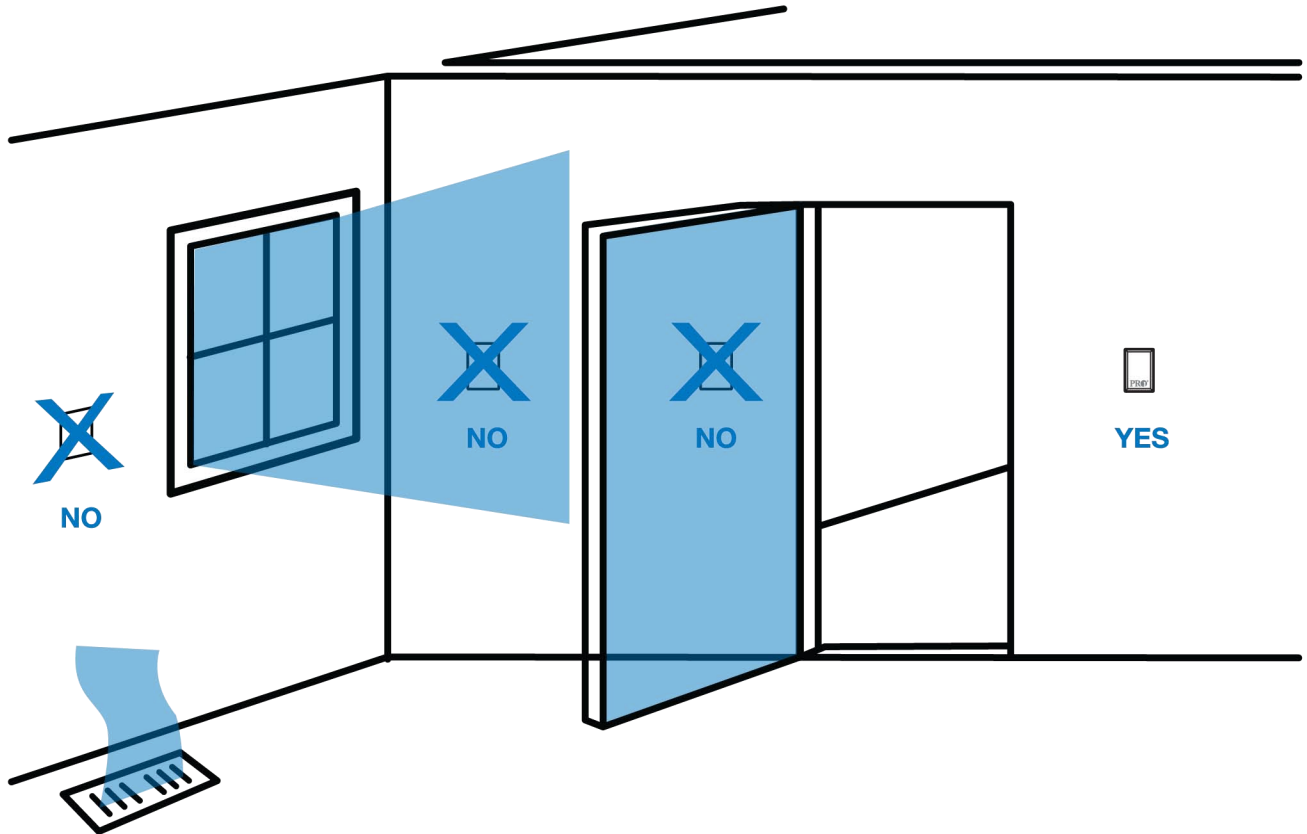
Need Help?

For assistance with this product please visit <http://www.pro1iaq.com> or call Pro1 Customer Care toll-free at 888-Pro1iaq (776-1427) during normal business hours (Mon-Fri 9 AM - 6 PM Eastern)

Una versión española de este manual puede ser descargada en www.pro1iaq.com

Remote Sensor Locations

The remote sensor should be mounted or placed approximately 4 to 5 feet above the floor. Select an area with average temperature and good air circulation.



Do not mount or place Remote Sensors in locations:

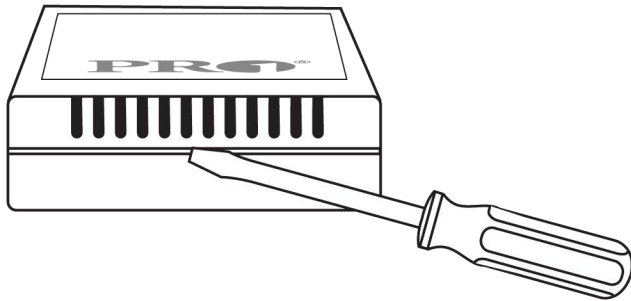
- Close to hot or cold air ducts.
- That are in direct sunlight.
- With an outside wall behind the thermostat.
- In areas that do not require conditioning.
- Where there are dead spots or drafts (in corners or behind doors).
- Where appliances could radiate heat.
- Near or on hot appliances.

Wired Range

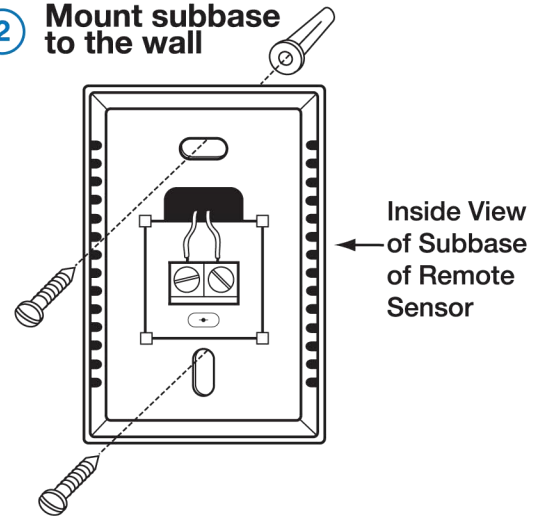
The range between the R251S and the wired sensing master thermostat is up to 300 feet. The R251S should be installed using 18 AWG thermostat wire.

Wall Mount

- 1 Remove the cover of the R251S.

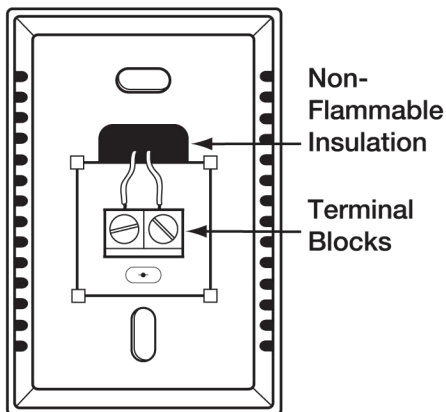


- 2 Mount subbase to the wall

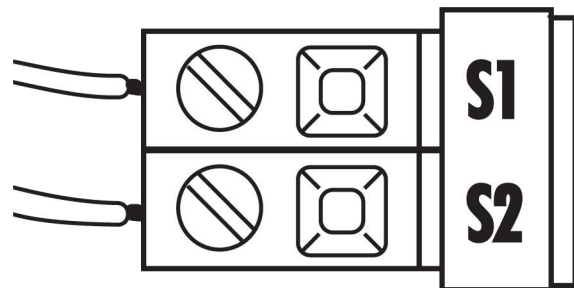


Connecting to a Wired Sensor Capable Thermostat

- 1 Loosen the terminal block screws. Insert wires, then retighten terminal block screws.



- 2 Connect the R251S to the S terminal blocks on the Wired Sensor Capable Thermostat.



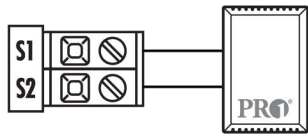
- 3 Place non-flammable insulation into wall openings to prevent drafts.

NOTE: Refer to your Wired Sensor Capable Thermostat manual for setup.

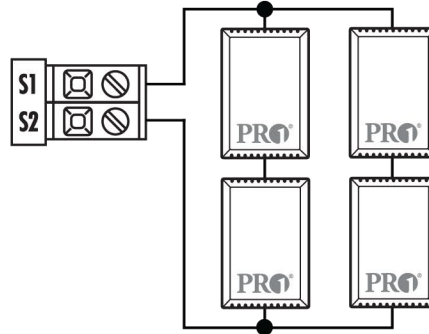
Wiring

You can connect 1, 4, 9, or 16 R251S remote sensors to a Wired Sensor Capable Thermostat to achieve a more accurate temperature average throughout a space. The following diagrams illustrate the proper ways to wire the R251S remote sensor. Use 18 AWG thermostat wire when installing.

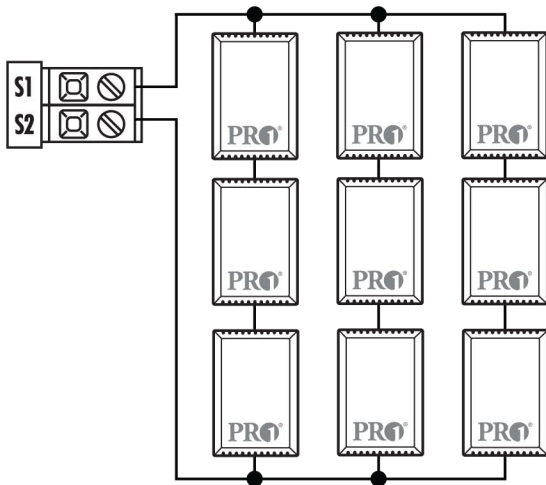
1 R251S



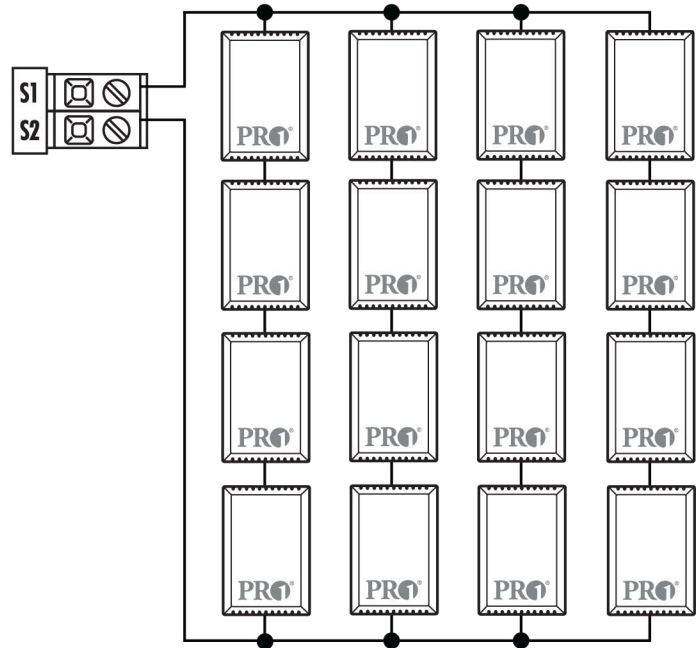
4 R251S



9 R251S



16 R251S



Specifications

R251S Wired Sensor

Operating temperature	32°F to +105°F (0° to +41°C)
Operating humidity	90% non-condensing maximum
Dimensions of sensor	1.5"W x 2.75"H x 0.75"D
Resistance Range	Up to 300 feet

Contact Us

Pro1 IAQ Inc.

1111 S. Glenstone
Suite 2-100
Springfield, MO 65804

Toll-free: 1-888-Pro1iaq (776-1427)

Toll Number (Outside the USA): 330-821-3600

Web: <http://www.pro1iaq.com>

Hours of Operation: Monday - Friday 9 AM - 6 PM Eastern

Warranty Registration:

Your new Pro1 wired sensor has a 5 year limited warranty. You must register your warranty within 60 days of installation. You can register your new sensor in 2 ways.

① Go to www.pro1iaq.com, select warranty registration and fill out a short registration form.

- or -

② Complete the form below and mail it to the address shown.



Pro1 IAQ Warranty Registration:

Name: _____

Thermostat Model: _____

Address: _____

Date Installed: _____

City: _____

Complete form and mail to:

State: _____

Pro1 IAQ Inc.

Zip: _____

1111 S. Glenstone

Suite 2-100

Springfield, MO 65804