



Model #LH24V

24V



HUMIDISTAT

Congratulations on the purchase of your new LOBB Humidstat! This product has been designed and engineered to provide a lifetime of trouble-free service. Please carefully read the installation instructions before installing your humidistat. If you have questions, please contact our help line at 248-623-0222. This product is for use with 24 volt whole house furnace mount humidifier only.

Before you begin, you'll need a few basic tools:

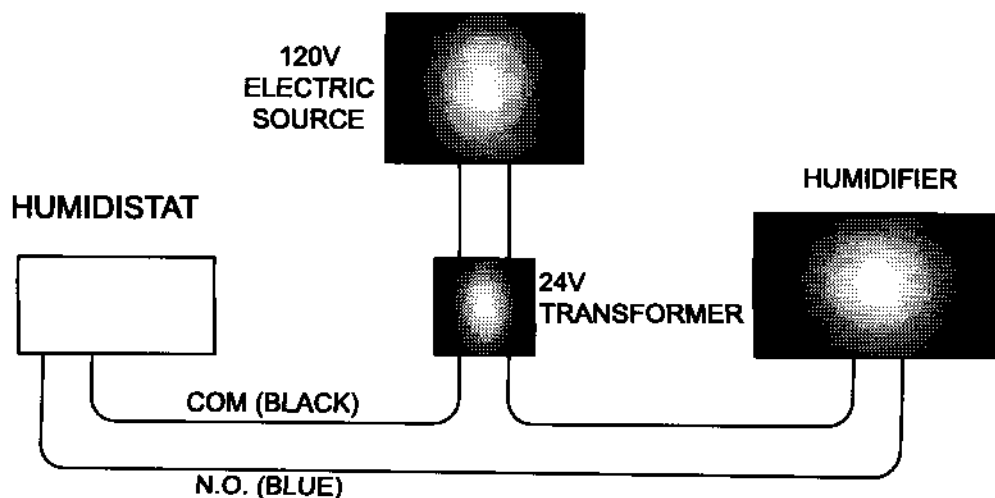
- drill
- pencil
- 5/64" drill bit
- philips screw driver

You may also need:

- 3/8" drill bit
- tin snips
- low-voltage thermostat cable
- low-voltage cable straps
- fish tape

The humidistat may be mounted at your furnace (refer to instructions for duct mounting), or on an interior wall (refer to instructions for Wall Mounting), preferably near your thermostat. If you select a wall mount location, you'll need to run low-voltage thermostat cable from the humidistat to the humidifier.

HUMIDISTAT POWER CONNECTION.



BestAir PRO®

281 Keyes Ave. Hampshire, IL 60140 • 847-683-7990 • Fax 847-683-7301 • www.bestairpro.com