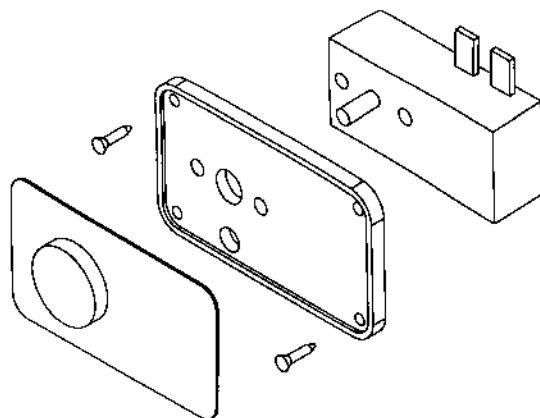


HUMIDISTAT

DUCT MOUNTING & POWER CONNECTION

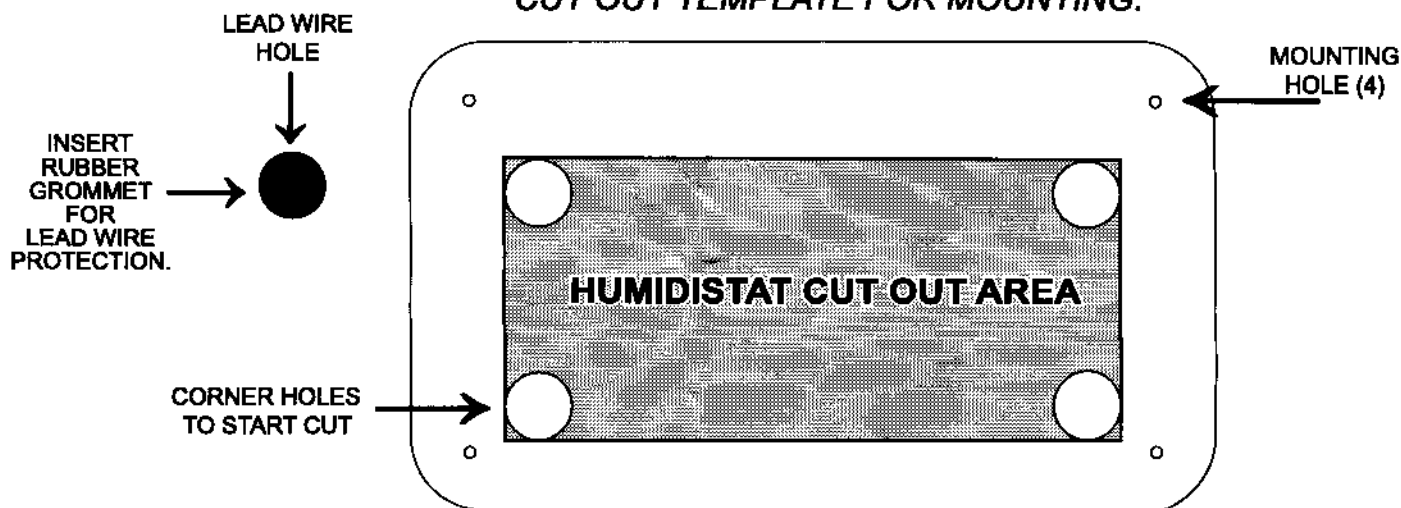
DIAGRAM #1



INSTRUCTIONS FOR DUCT MOUNTING

1. Turn power to your humidifier OFF.
2. The humidistat has been pre-assembled for wall mounting. You'll need to adapt it for duct mounting. Please refer to diagram 1.
3. Select a location on the return air duct to mount the humidistat. **IMPORTANT! IT MUST BE PLACED UPSTREAM FROM THE HUMIDIFIER OR BYPASS TUBE.**
4. Using the mounting template, drill the four mounting holes using a 5/64" drill bit. Next drill the holes for the Humidistat Cutout Area using a 3/8" drill bit. Finally, drill the hole for the wire leads using a 1/4" drill bit.
5. Using tin snips, carefully cut out the opening for the humidistat. **BE CAREFUL! METAL EDGES ARE SHARP.** Drill four corner holes to start your cut.
6. Carefully run the wire leads through the lead wire hole and position the humidistat in the humidistat opening.
7. Fasten the humidistat to the duct with screws provided.
8. Remove the paper backing from the humidistat label and apply to the face of the mounting base. Attach the knob to the humidistat control shaft. Turn knob to the "off" position.
9. Join the wire leads to the thermostat cable using the wire connectors provided.
10. Turn power back on.
11. Adjust the knob to the desired relative humidity level.
12. Be patient. It will take a day or two for your home to reach the level. Turning the knob to "on" position, will not speed up the process. Adjust as needed to suit your level of comfort.

ACTUAL SIZE TEMPLATE CUT OUT TEMPLATE FOR MOUNTING.



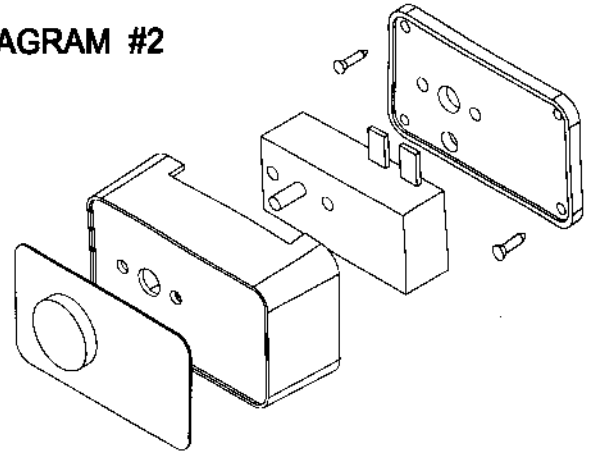
BestAir PRO®

281 Keyes Ave. Hampshire, IL 60140 • 847-683-7990 • Fax 847-683-7301 • www.bestairpro.com

HUMIDISTAT

WALL MOUNTING & POWER CONNECTION

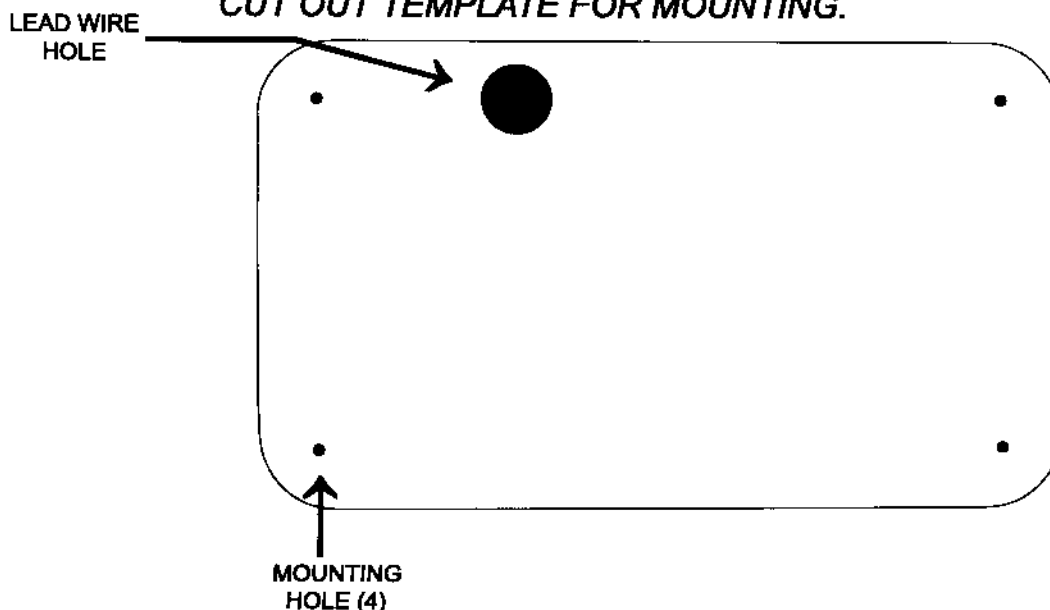
DIAGRAM #2



INSTRUCTIONS FOR WALL MOUNTING

1. Turn power to your humidifier OFF.
2. Select the location for your LOBB Humidistat. Choose a centrally located interior wall away from doors and windows. Next to your thermostat is a good choice.
3. Using the mounting template, drill the four mounting holes using a 5/64" drill bit. Next drill the hole for the wire leads using a 3/8" drill bit.
4. Run the thermostat cable through the wire lead hole to the humidifier. Make sure you have enough cable to run to the 24 volt transformer as well. (refer to wiring diagram). Leave about 6" of thermostat cable sticking out of the home. This will be connected to the humidistat.
5. Remove the control knob and cover. Fasten the unit to the wall using the screws provided. If you're fastening to drywall, use appropriate anchors (sold separately).
6. Join the wire leads to the thermostat cable using the wire connectors provided.
7. Replace the cover on the unit. Remove the paper backing from the humidistat label and apply to the face of the cover. Attach the knob to the control shaft. Turn knob to the "off" position.
8. Connect thermostat cable to the humidifier and transformer.
9. Turn power back on.
10. Adjust the control knob to the desired relative humidity level.
11. Be patient. It will take a day or two for your home to reach the desired relative humidity. Turning the knob to full "on" position, will not speed up the process. Adjust as needed to suit your level of comfort.

ACTUAL SIZE TEMPLATE CUT OUT TEMPLATE FOR MOUNTING.



BestAir PRO®

281 Keyes Ave. Hampshire, IL 60140 • 847-683-7990 • Fax 847-683-7301 • www.bestairpro.com