

**EBAC MODEL KOMPACT  
INDUSTRIAL DEHUMIDIFIER  
OWNER'S MANUAL**



## INTRODUCTION

Designed for a wide range of applications, the Kompact is a rugged, industrial unit, which utilizes an energy-efficient compressor and a compact portable design to provide easy efficient drying.

The Kompact has a number of special features:

- High efficiency rotary compressor
- Ebac's "**Hot Gas**" defrost system
- Hours run meter
- Integral pump out system
- Provision for permanent drainage
- All galvanized interior
- Exterior epoxy powder-coated finish
- Rugged trolley for portability
- Extra long power cord

The fan draws the moist air through the cold evaporator coil, which cools the air below its dew point. Moisture forms on the evaporator coil and is collected in the condensate tray, which is equipped with a permanent drain. The cooled air then passes through the hot condenser coil where it is reheated using the same energy removed during the cooling phase, plus the additional heat generated by the compressor. The air is, therefore, discharged from the dehumidifier at a slightly higher temperature with a lower absolute humidity than that which entered. Continuous circulation of air through the dehumidifier gradually reduces the relative humidity within the area.

The Kompact dehumidifier is a rugged, reliable drying unit designed to operate effectively over a broad range of temperature and humidity conditions. An active hot gas defrost system, controlled by an electronic timer, guarantees positive de-icing, thereby optimizing operation at low temperatures.

The unit incorporates a welded steel chassis and is finished in an epoxy coating for resilience to damage caused by rough handling.

## SPECIFICATIONS

<b>MODEL:</b>	10240KP-US
<b>HEIGHT:</b>	24.2"
<b>WIDTH:</b>	20"
<b>DEPTH:</b>	19.2"
<b>WEIGHT:</b>	77.9 lbs
<b>AIRFLOW:</b>	152 CFM
<b>POWER SUPPLY:</b>	115V/ 60Hz/ 1 ph
<b>FINISH:</b>	Powder-coated Epoxy
<b>OPERATING RANGE:</b>	33°F – 105°F
<b>REFRIGERANT:</b>	R-22 (13 oz)

## OPERATION

The following procedures should be followed to test the Kompact for correct operation:

1. After unpacking, examine all external features to confirm damage-free shipment. Report all defects and damage at once. Connect the power cable to a grounded 15 Amp electrical outlet.
2. Check dehumidification process as follows:

<b>CAUTION: DO NOT REMOVE COVERS WHEN UNIT IS IN OPERATION.</b>
-----------------------------------------------------------------

- A. Place unit on a level surface.
- B. Start up unit by switching to “ON”.
- C. Check that the compressor is running.
- D. Leave the machine running for 15 minutes.
- E. Observe the evaporator coils through the rear upper grille, to confirm frost formation.
  - i. If the air temperature is below 78°F, an even coating of frost should cover the entire evaporator coil.
  - ii. If the air temperature is above 78°F, frost and/or droplets of condensed water should cover the entire evaporator coil.
- F. After continuous running time of approximately 55 minutes, unit will enter “Hot Gas” defrost mode for several minutes and then automatically return to normal operation.

If, after carrying out the above procedures, the unit does not appear to function properly, refer to the *Trouble Shooting* section, which follows, or contact the Factory Service Center.

<b>CAUTION: Once the unit has been switched off, wait at least five minutes before restarting.</b>
----------------------------------------------------------------------------------------------------

After using the Kompact, turn it off for five minutes to allow the condensate on the coils to drain into the pump reservoir, then press the momentary purge switch for twenty to thirty seconds to evacuate the water from the pump reservoir.

## ROUTINE MAINTENANCE

**WARNING:** ENSURE THAT THE POWER CORD TO THE MACHINE HAS BEEN DISCONNECTED BEFORE CARRYING OUT ROUTINE MAINTENANCE ON ITEMS 1, 2, 4, 5, AND 6.

To ensure continued full efficiency of the dehumidifier, maintenance procedures should be performed as follows:

1. Clean the surface of the evaporator and condenser coils by blowing the dirt out from behind the fins with compressed air. Hold the nozzle of the air hose away from the coil to avoid damaging the fins. Alternatively, vacuum clean the coils.

**WARNING:** DO NOT STEAM CLEAN REFRIGERATION COILS.

2. Check that the fan is firmly secured to the motor shaft and that the fan rotates freely. **The fan motor is sealed for life and therefore does not need oiling.**
3. To check the refrigerant charge, run the unit for 15 minutes and briefly remove the top cover. The evaporator coil should be evenly frost coated across its surface. At temperatures above 78°F, the coil may be covered with droplets of water rather than frost. Partial frosting accompanied by frosting of the thin capillary tubes, indicates loss of refrigerant gas or low charge. During this inspection, check visually to ensure that the pump rollers are turning.
4. Check all wiring connections.
5. To check the operation of the defrost system, switch the machine on and leave it running for approximately 55 minutes. The machine will then enter “Hot Gas” defrost mode for approximately 5 minutes before returning to normal operation. If the unit will not defrost, the printed circuit timer board may be defective or the by-pass valve may be inoperable.

**IF ANY OF THE PRECEDING PROBLEMS OCCUR, CONTACT THE EBAC SERVICE CENTER PRIOR TO CONTINUED OPERATION OF THE UNIT TO PREVENT PERMANENT DAMAGE.**

## REPAIRS

1. Should an electrical component fail, consult the Factory Service Center to obtain the proper replacement part.
2. If refrigerant gas is lost from the machine, it will be necessary to use a refrigeration technician to correct the fault. Contact the Factory Service Center prior to initiating this action.

Any competent refrigeration technician will be able to service the equipment. The following procedure must be used:

- a. The source of the leak must be determined and corrected.
- b. The machine should be thoroughly evacuated before recharging.
- c. The unit must be recharged with refrigerant measured accurately by weight.
- d. For evacuation and recharging of the machine, use the crimped and brazed charging stub attached to the side of the refrigerant compressor.

The charging stub should be crimped and rebrazed after servicing. **NEVER** allow permanent service valves to be fitted to any part of the circuit. Service valves may leak causing further loss of refrigerant gas.

3. The refrigerant compressor fitted to the dehumidifier is a durable unit that should give many years of service. Compressor failure can result from the machine losing its refrigerant gas. The compressor can be replaced by a competent refrigeration technician.

Failure of the compressor can be confirmed by the following procedure:

- a. Establish that power is present at the compressor terminals using a voltmeter.
- b. With the power disconnected, check the continuity of the internal winding by using meter across the compressor terminals. An open circuit indicates that the compressor should be replaced.
- c. Check that the compressor is not grounded by establishing that a circuit does not exist between the compressor terminals and the shell of the compressor.

## TROUBLESHOOTING

<u>SYMPTOM</u>	<u>CAUSE</u>	<u>REMEDY</u>
<b>Unit inoperative</b>	1. No power to unit	1. Check the power from power supply panel
<b>Little or no airflow</b>	1. Loose fan on shaft 2. Fan motor burnt out 3. Dirty refrigeration coils 4. Loose electrical wiring  5. Fuse blown or circuit breaker tripped	1. Tighten fan 2. Replace the fan motor 3. See <i>Routine Maintenance</i> Section 4. Check the wiring diagram to find fault and repair 5. Replace the fuse or reset the circuit breaker
<b>Little or no water extraction</b>	1. Insufficient air flow 2. Compressor fault 3. Loss of refrigerant gas	1. Check all of the above 2. Contact the Factory Service Center 3. Contact the Factory Service Center
<b>Little or no defrost when required</b>	1. Faulty timer 2. Faulty by-pass valve	1. Contact the Factory Service Center 2. Contact the Factory Service Center
<b>Unit vibrates excessively</b>	1. Loose compressor 2. Damaged fan	1. Tighten the nuts on the compressor mounts 2. Replace fan
<b>Water flooding inside the machine</b>	1. Drain pipe blocked/frozen 2. Drain pipe too high  3. Crimped or blocked tubing	1. Clear the obstruction 2. Ensure that no section of the drain hose is above the level of the water outlet 3. Straighten, clear, or replace tubing

Ebac Industrial Products  
 700 Thimble Shoals Boulevard  
 Suite 109  
 Newport News  
 VA 23606-2578  
 Telephone (757) 873-6800 FAX (757) 873-3632  
 Website [www.ebacusa.com](http://www.ebacusa.com)

## KOMPACT SPARE PARTS LIST

<u>NUMBER</u>	<u>DESCRIPTION</u>	<u>PART NUMBER</u>	<u>QUANTITY</u>
1	Filter	1019712	1
2	Timer	1600500	1
3	Evaporator Coil	2026013	1
4	Condenser Coil	2026014	1
5	Drain Tray	2131107	1
6	Capillary Tube	3014251	48"
7	Solenoid Valve	3020814	1
8	Filter Dryer	3020901	1
9	Compressor	3022169	1
10	Solenoid Coil	3030421	1
11	Capacitor	3030908	1
12	Terminal Block	3031460	1
13	Fan Motor	3035788	1
14	Fan Blade	3040129	1
15	Fan Inlet Ring	3040326	1
16	Black Rubber Foot	3101436	2
17	Pump	3160143	1
18	GFI Plug	3934517	1



## LIMITED WARRANTY

---

Our products carry a one-year unconditional warranty against any defects in workmanship or material. This warranty will cover all parts and labor required to repair your Ebac product. This warranty is invalid if the unit has been abused, damaged, whether intentional or accidental, or if any modifications have been made to the unit.

THE FOREGOING WARRANTY IS EXCLUSIVE AND IS ISSUED IN LIEU OF ALL OTHER WARRANTIES (WHETHER WRITTEN, ORAL, OR IMPLIED) INCLUDING THE WARRANTY OF MERCHANTABILITY AND THE WARRANTY OF FITNESS FOR A PARTICULAR PURPOSE. EBAC SYSTEMS, INC. DISCLAIMS ANY LIABILITY FOR CONSEQUENTIAL DAMAGES, LOST PROFITS, OR INCIDENTAL DAMAGES FOR BREACH OF ANY WRITTEN OR IMPLIED WARRANTY WITH RESPECT TO THE FOREGOING DESCRIBED MERCHANDISE.

For Your Records:    Model: \_\_\_\_\_  
                                S/N: \_\_\_\_\_  
                                Date Received: \_\_\_\_\_

-----  
SAVE THIS SECTION FOR YOUR RECORDS  
CLIP AND RETURN THIS CARD  
-----

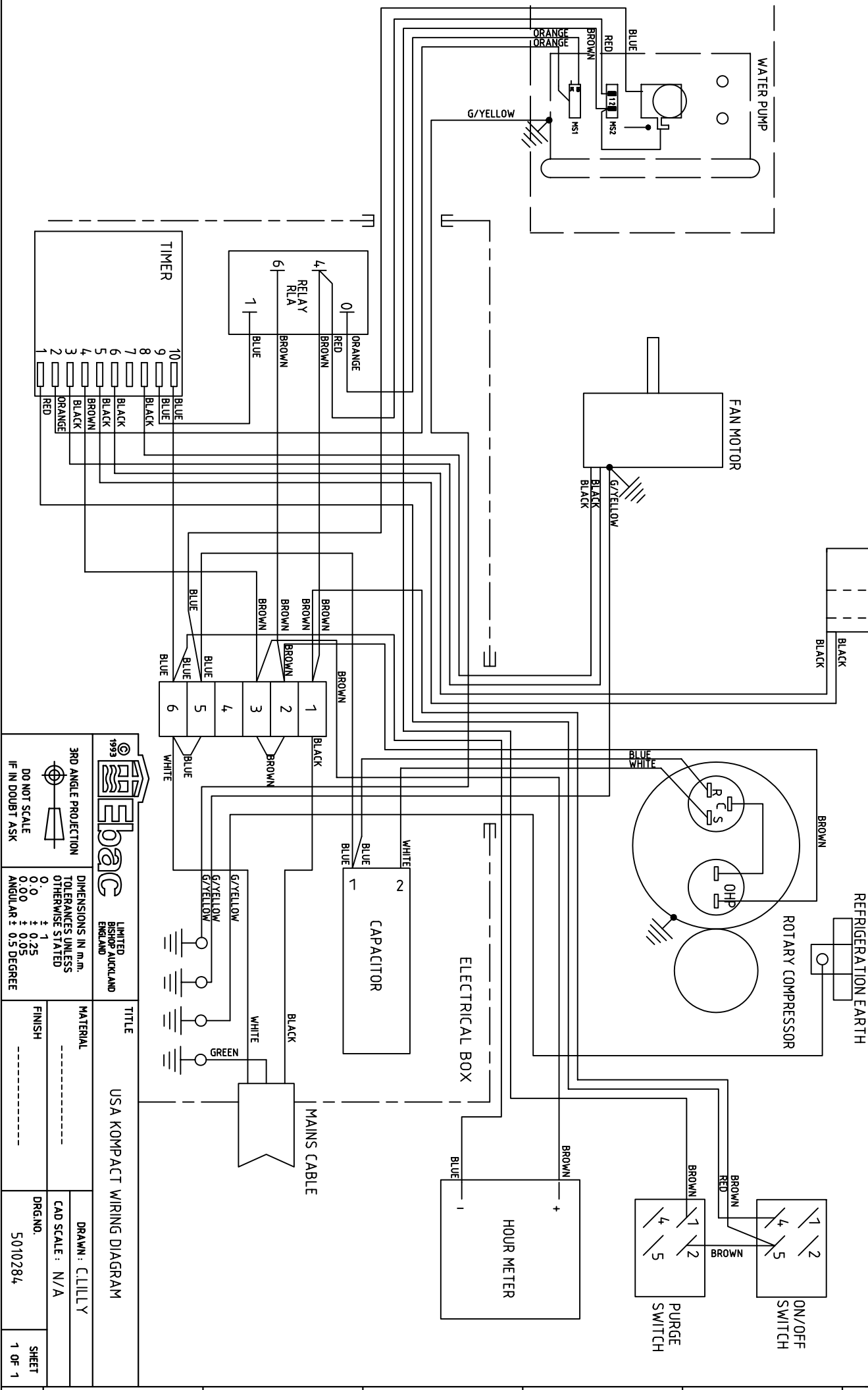
### **PLEASE NOTE**

To ensure that your Ebac Dehumidifier is accorded the full coverage provided by this warranty, please complete and mail this card at your earliest convenience.

***Thank You***

WARRANTY REGISTRATION	
MODEL _____ S/N _____	DATE RECEIVED _____
OWNER _____	
ADDRESS _____	
CITY _____	STATE _____ ZIP _____
COMMENTS _____	
_____	
_____	
Ebac Industrial Products. 700 Thimble Shoals Boulevard, Newport News, Virginia 23606-2575	

ISSUE	DATE	AMENDMENTS
1	3/12/04	ORIGINAL
2	24/01/05	UPDATED TO SCHEDULE - CIL



**Edgac** 1993  
 LIMITED  
 BUCKLAND  
 ENGLAND

**USA KOMPACT WIRING DIAGRAM**

**TITLE**

**MATERIAL**

**DRAWN: CILLILY**

**CAD SCALE: N/A**

**FINISH**

**DWG. NO. 5010284**

**SHEET 1 OF 1**

**3RD ANGLE PROJECTION**

**DO NOT SCALE**

**IF IN DOUBT ASK**

**DIMENSIONS IN mm.**

**TOLERANCES UNLESS OTHERWISE STATED**

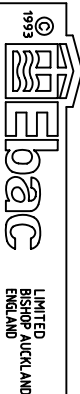
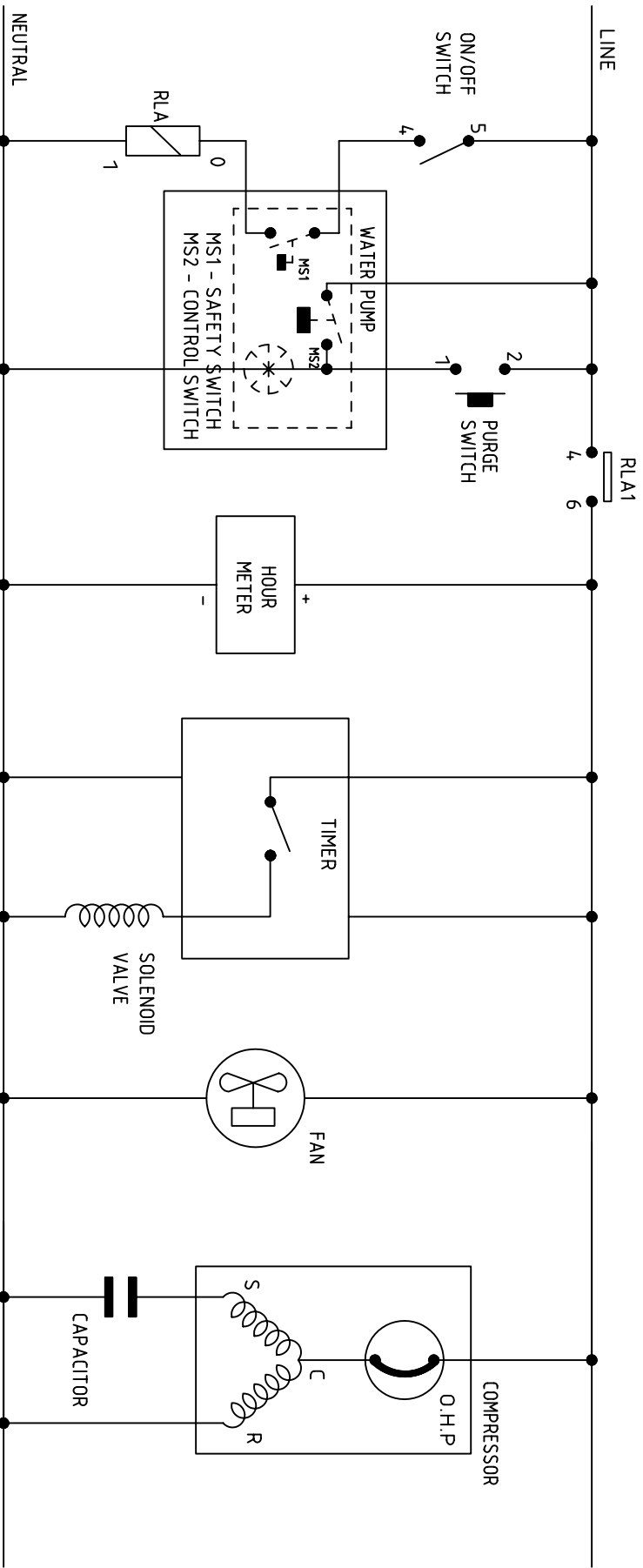
0.0 ± 1

0.00 ± 0.25

0.05 ± 0.05

ANGULAR ± 0.5 DEGREE

ISSUE	DATE	AMENDMENTS
1	3/12/04	ORIGINAL



TITLE  
**USA KOMPACT WIRING SCHEMATIC**

3RD ANGLE PROJECTION DO NOT SCALE IF IN DOUBT ASK	DIMENSIONS IN m.m. TOLERANCES UNLESS OTHERWISE STATED 0.0 ± 1 0.00 ± 0.25 ANGULAR ± 0.05 ANGULAR ± 0.5 DEGREE	DRAWN: C LILLY CAD SCALE: N/A	SHEET 1 OF 1
FINISH -----	DRG.NO. 5020253	MATERIAL -----	TITLE USA KOMPACT WIRING SCHEMATIC