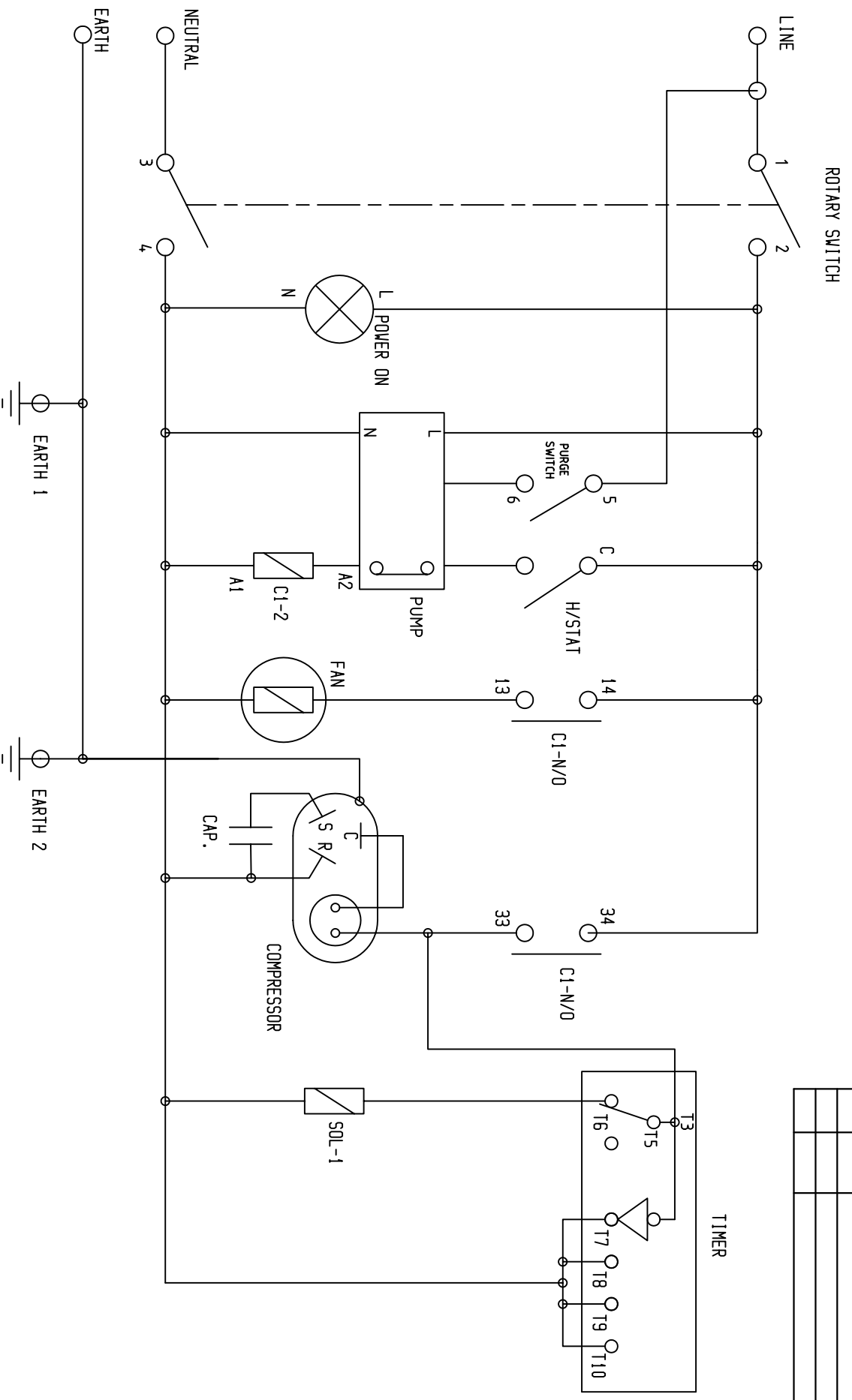


ISSUE	DATE	AMENDMENTS
1	27/01/05	ORIGINAL



**1993**  
  
**LIMITED**  
 BISHOP AUCKLAND  
 ENGLAND

**TITLE**  
 WIRING SCHEMATIC FOR K100P

**MATERIAL**  
 -----

**FINISH**  
 -----

**DRAWN:** C LILLY  
**CAD SCALE:** NTS  
**DRG.NO:** 5020125

**SHEET**  
 1 OF 1

**3RD ANGLE PROJECTION**  
 DO NOT SCALE  
 IF IN DOUBT ASK

**DIMENSIONS IN mm.**  
 TOLERANCES UNLESS  
 OTHERWISE STATED  
 0.0 ± 0.25  
 0.0 ± 0.05  
 ANGULAR ± 0.5 DEGREE