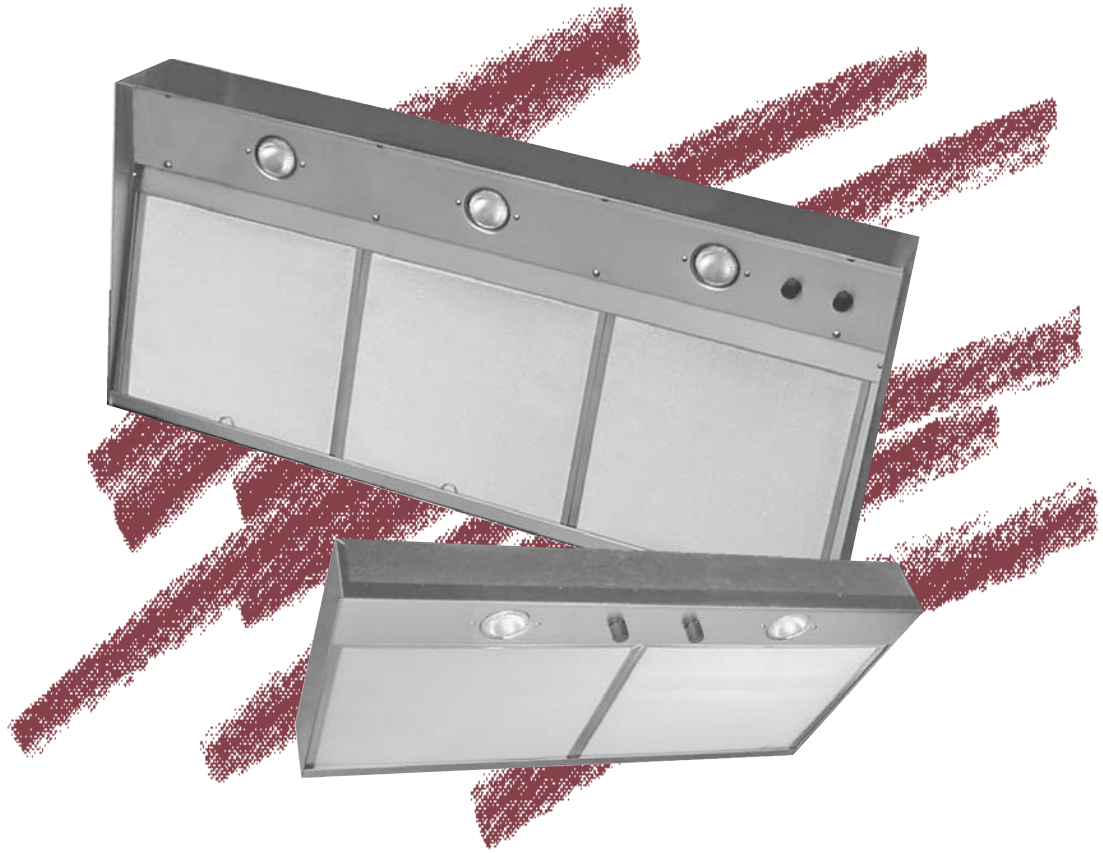


# ALDES **HOOD LINER**



PROFESSIONAL  
GRADE

## CUSTOM CRAFTED HOOD LINER

FOR WOOD, STUCCO HOODS, OR FRAMED CANOPIES

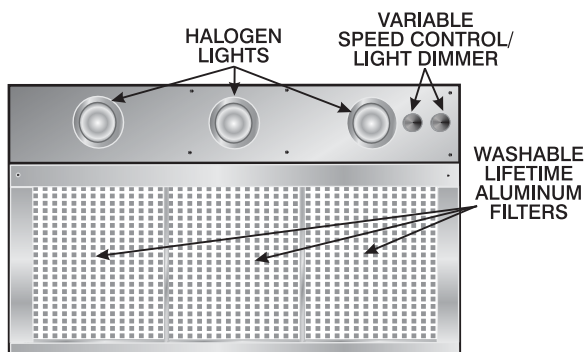
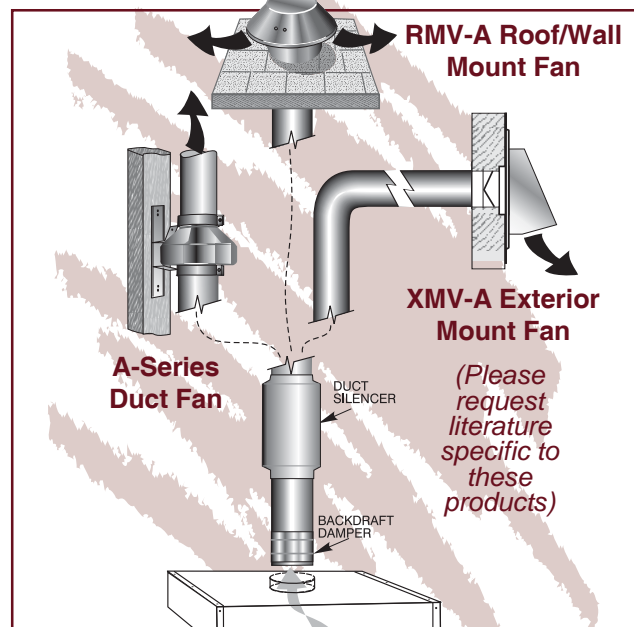
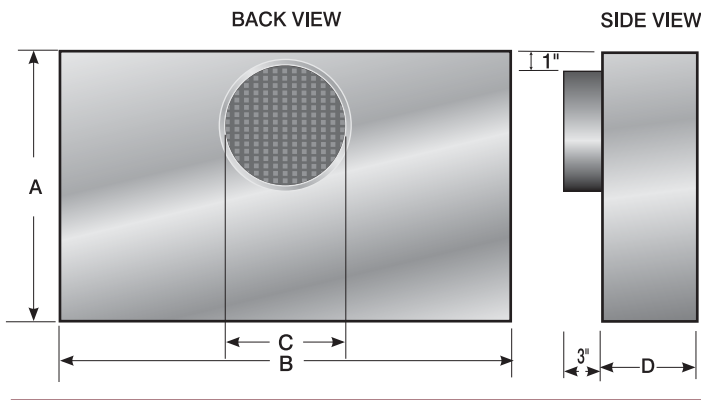
# For Designer Quality

## FEATURES

- Highest quality materials
  - 304 grade stainless steel - facia #4 brush finish
    - 304 stainless steel (Deluxe) or heavy gauge galvanized steel (Standard) body
  - Halogen lighting system with dimmer control
    - Motor speed control for remote fan
- Commercial style removable, washable grease filters
  - Filters easy to clean, simply place in dishwasher



## Use with American ALDES Remote Mounted Fans for Quieter Operation



- A & AD-Series In-Line Duct Fans
- RMV-A Roof/Wall Mount Fans
- XMV-A Exterior Mount Fans

| P/N             | MODEL   | DIMENSIONS |      |     |    | # of Lights | AIRFLOW RATES (cfm)    |                          |             | RECOMMENDED FANS<br>(SPEED CONTROLLABLE) |
|-----------------|---------|------------|------|-----|----|-------------|------------------------|--------------------------|-------------|--|
|                 |         | A          | B    | C   | D  |             | MINIMUM*<br>Wall Mount | MINIMUM*<br>Island Mount | RECOMMENDED |  |
| <b>STANDARD</b> |         |            |      |     |    |             |                        |                          |             |  |
| 71 130          | HLS-30" | 18"        | 28½" | 6"  | 4" | 2           | 100                    | 125                      | 200-275     | A6HP, RMV-A6HP, XMV-A6HP                 |
| 71 131          | HLS-36" | 18"        | 34½" | 6"  | 4" | 2           | 120                    | 150                      | 275-350     | A6HP, RMV-A6HP, XMV-A6HP                 |
| <b>DELUXE</b>   |         |            |      |     |    |             |                        |                          |             |  |
| 71 136          | HLD-36" | 22"        | 34½" | 8"  | 6" | 2           | 120                    | 150                      | 450-550     | A8HP, RMV-A8HP, XMV-A8HP, AD8HP          |
| 71 142          | HLD-42" | 22"        | 40½" | 10" | 6" | 2           | 140                    | 170                      | 550-660     | A10HP, RMV-A10HP, RMV-A10HPT, AD10HP     |
| 71 148          | HLD-48" | 22"        | 46½" | 10" | 6" | 3           | 160                    | 200                      | 600-1100    | A10HP, RMV-A10HP, RMV-A10HPT, AD10HP     |

\*Per Linear Foot based on 40 cfm for wall hoods and 50 cfm for island hoods. (Also check with manufacturer of cooktop for their recommendations, which may be higher.)

**AMERICAN ALDES**  
VENTILATION CORPORATION

4537 NORTHGATE COURT  
SARASOTA, FL 34234-2124, USA  
Tel: 941 • 351- 3441  
Fax: 941 • 351- 3442  
<http://www.americanaldes.com>  
E-mail: [info@aldes-us.com](mailto:info@aldes-us.com)

**IAQ**  
VENTILATION  
HOTLINE  
800-255-7749  
**ALDES**

635R-2-07

MATHEWS GRAPHIC DESIGN-941-355-0682



RECYCLED PAPER

