

## Universal Thermostat Guards Installation Guide

### INSTALLATION INSTRUCTIONS

#### INSTALLATION

1. Mount guard base over existing thermostat or use optional guard wallplate (see Fig. 1 and Fig. 2).
2. Mount guard cover and lock guard.
3. Apply nameplate (select models) to guard cover.

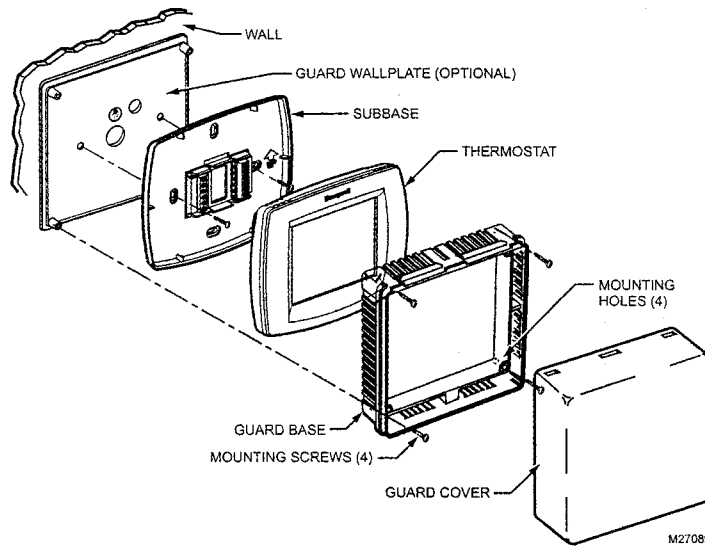


Fig. 1. Mount guard and thermostat to wall.

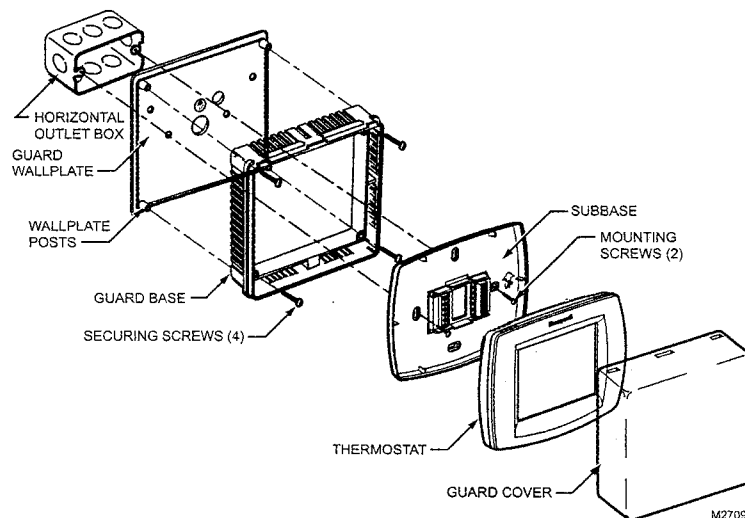


Fig. 2. Mount guard wallplate with guard base  
and thermostat on junction box.



69-2082EFS-03