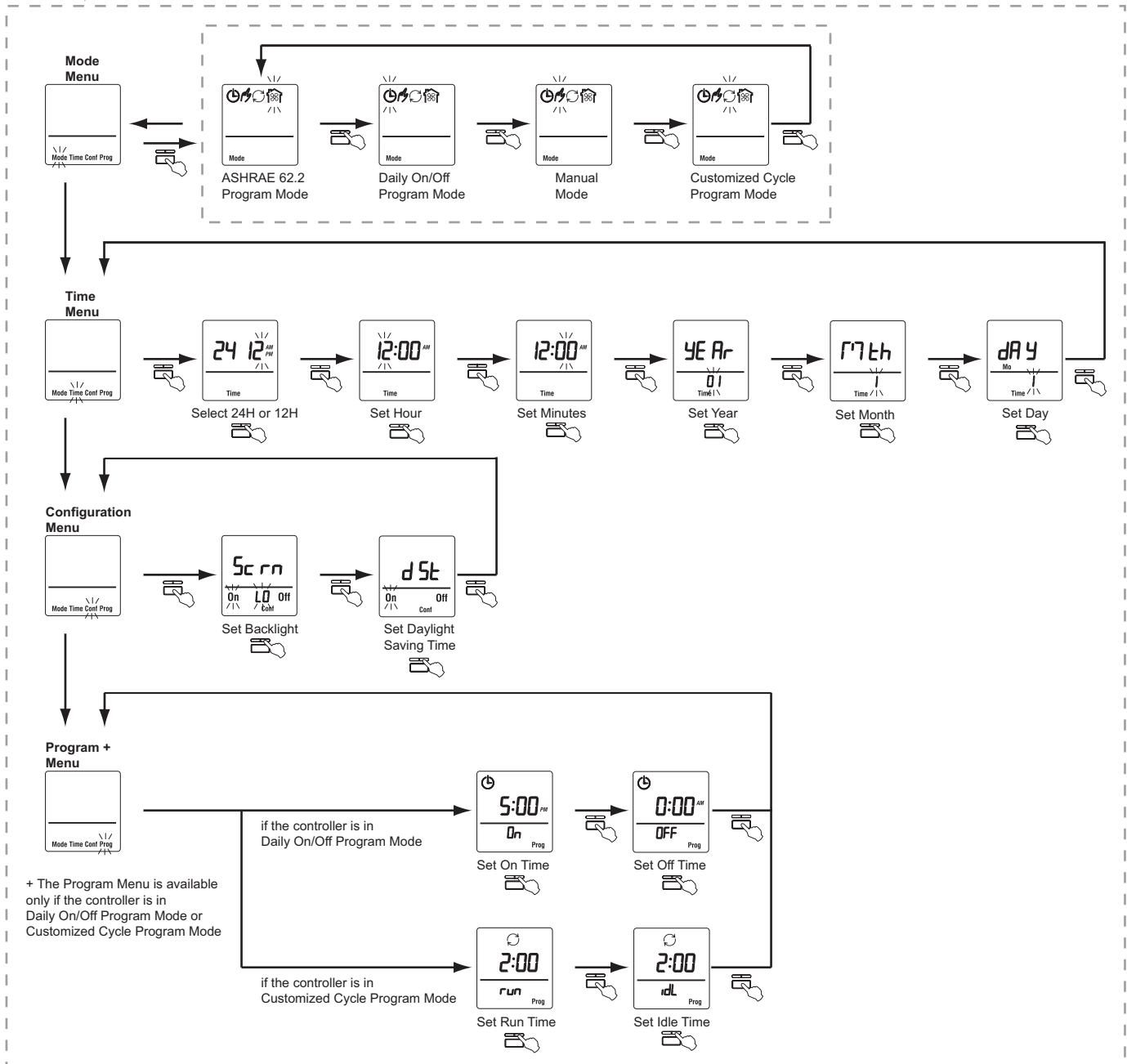


The default settings are shown on the flowchart.

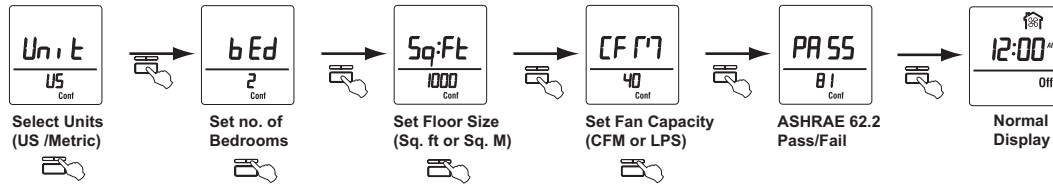
- Briefly press this button to go to preceding menu or setting.
- Briefly press this button to go to next menu or setting.
- Briefly press this button to accept setting and display next parameter.
- Press this button for 3 seconds to enter or exit the setup menus. (3 sec.)

The controller automatically exits the setup menus if you do not press any button for 60 seconds.

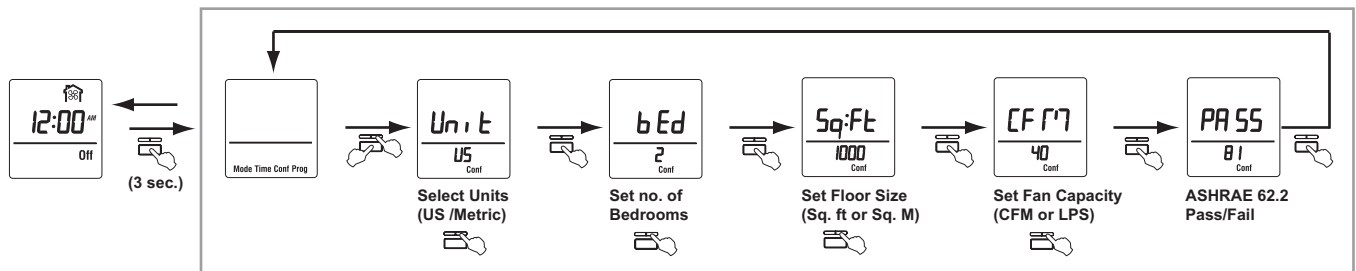


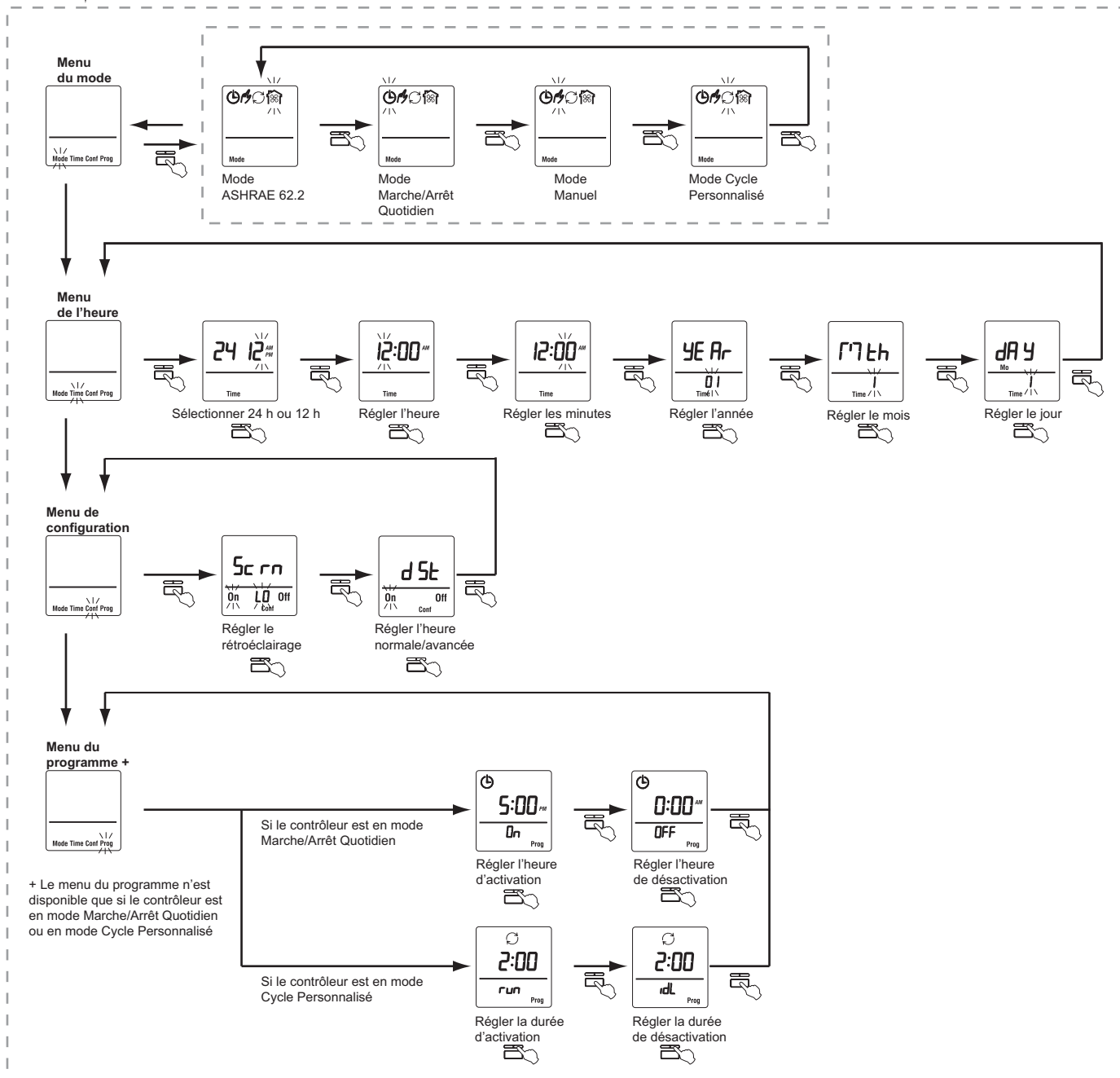
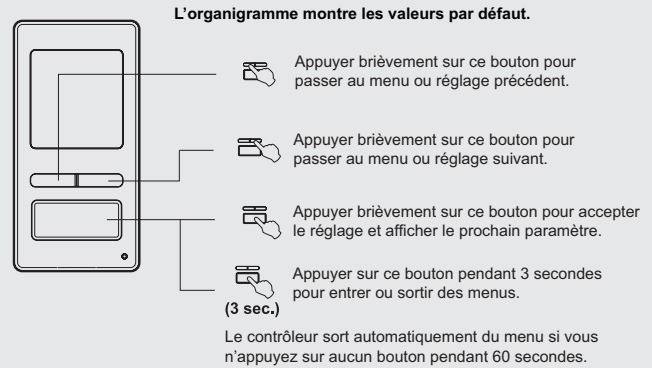
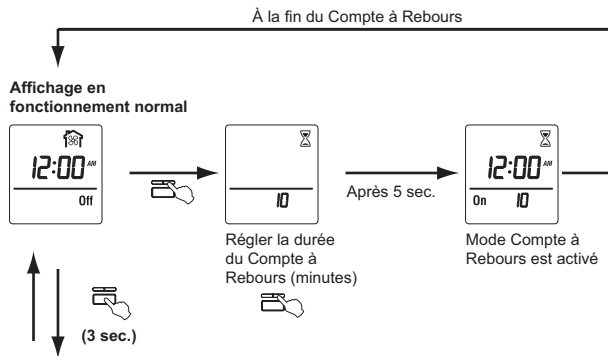
The default settings are shown on the flowchart.

### At first power-up



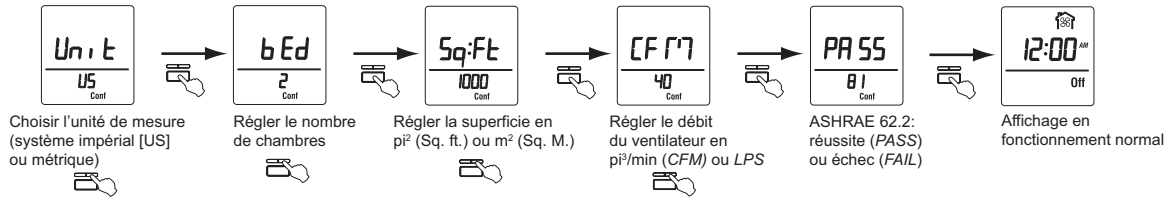
### At any time



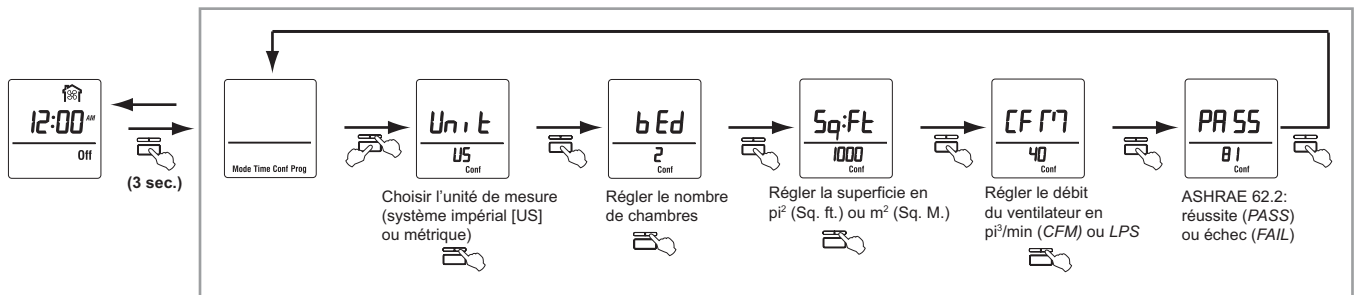


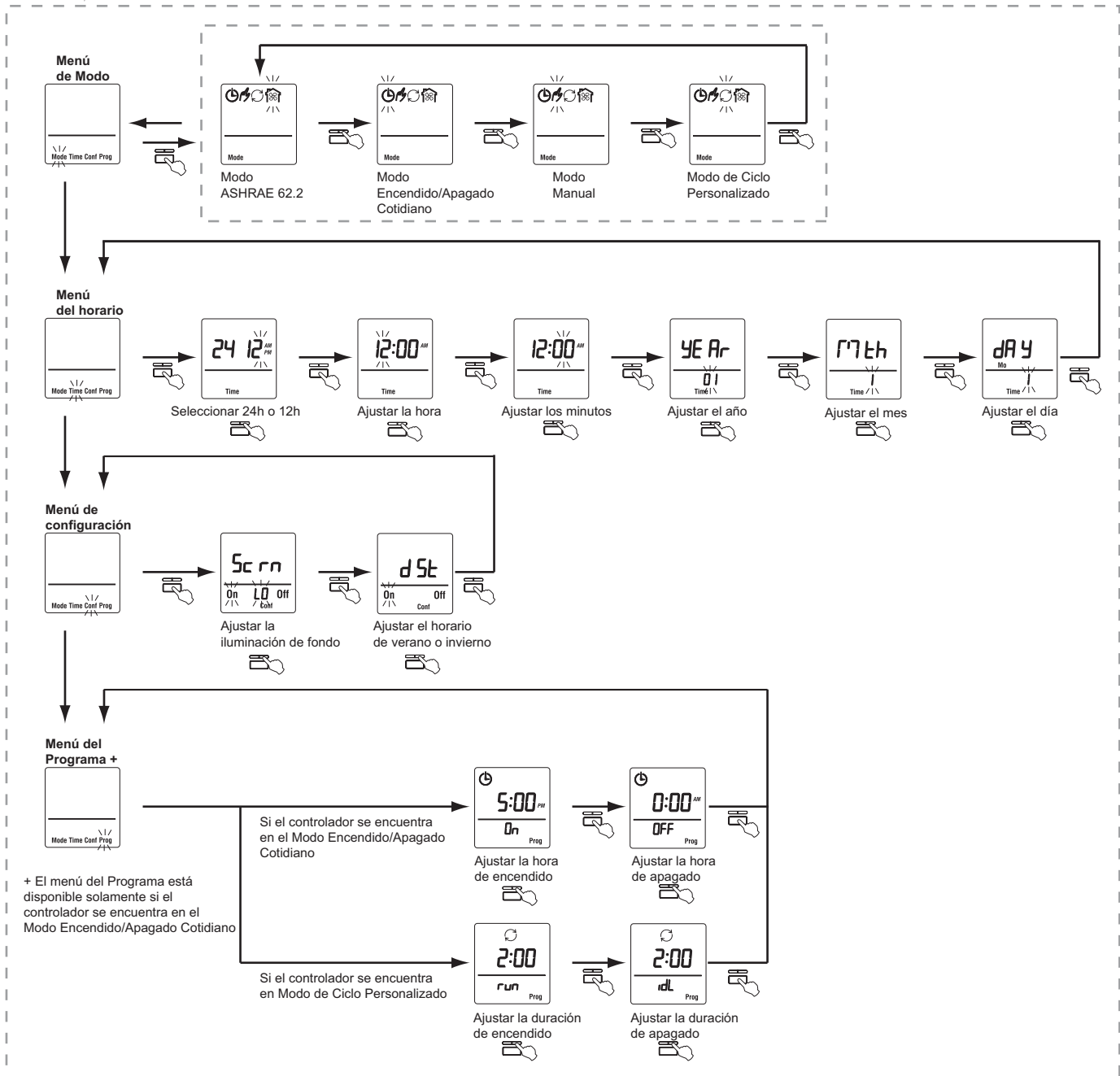
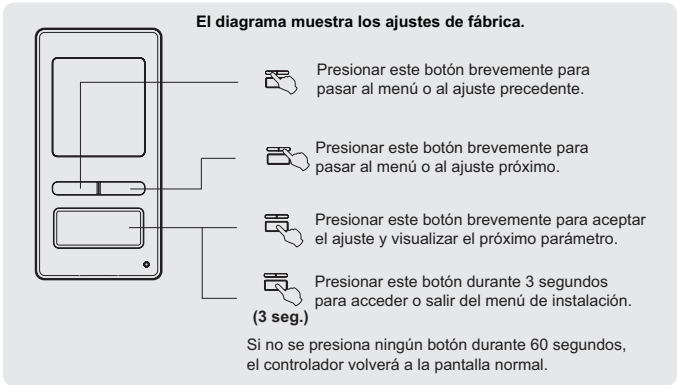
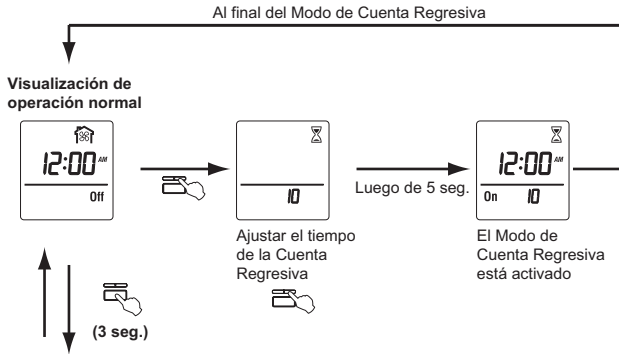
L'organigramme montre les valeurs par défaut.

### À la première mise sous tension



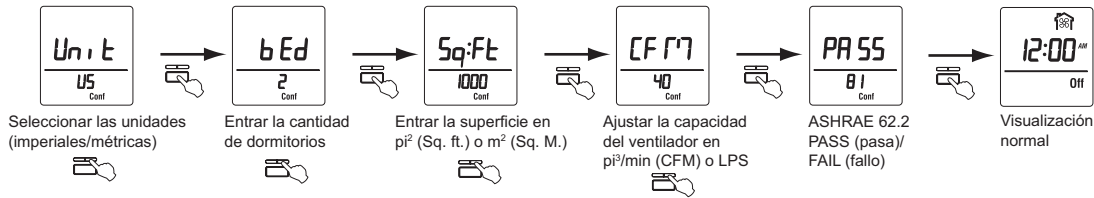
### En tout temps





El diagrama muestra los ajustes de fábrica.

### Al encenderse por primera vez



### En cualquier momento

