



AEROMATIC™ SERIES STANDARD RESIDENTIAL H215-TR Heat Recovery Ventilator

PRODUCT
SPECIFICATIONS
& TECHNICAL
DATA



PRODUCT DESCRIPTION

Compact size, large performance – the H215-TR heat recovery ventilator produces approximately **215 CFM** at 0.20 in.w.g (ESP) and recovers heat through its high-efficiency polypropylene core. The H215-TR has been thoughtfully engineered for simple installation in small businesses and spacious houses.

The H215-TR has two exclusive features. EvacMAX™ provides on-demand boost for maximum ventilation. With FLEXControl, airflow circuits can be calibrated electronically, eliminating the need for resistance-inducing balancing dampers and improving overall efficiency.

KEY FEATURES

- Electronically and independently adjustable supply and exhaust blowers (FLEXControl)
- Gauge ports on the door for fast and reliable airflow readings
- Removable top-mounted collars
- Twist-in collars for easy flex-duct attachment
- Non-dust-loading backward-inclined impellers on totally enclosed motors
- Easy access to core and filters for cleaning
- Extremely durable polypropylene core
- Standard aluminum filters and optional carbon or high-efficiency/MERV 13 equivalent filters
- Multiple low-cost controller options for occupancy changes
- Automatic timed recirculation defrost protects the core from freezing temperatures

CASING

Material: Pre-painted 24-gauge galvanized steel
Drain Connection: Ø 3/8" (Ø 10 mm)
Duct Diameter: Ø 6" (Ø 152 mm)
Insulation: 1" (25 mm) Fiberglass with FSK and polystyrene
Width: 27-5/8" (702 mm)
Height: 24" (610 mm)
Depth: 15-3/4" (400 mm)
Weight: 58 lbs (26 kg); Shipping Weight: 64 lbs (29 kg)
Supply Damper: Motorized; Exhaust Damper: Gravity

MOUNTING

Suspended by chains with vibration-isolating springs

RECOVERY CORE

Material: Polypropylene

BLOWERS

Quantity: 2
Type: Motorized impellers (backward-inclined)

ELECTRICAL REQUIREMENTS

120 VAC, 60 Hz, 1.8 A, 216 W
Cord Set: 48" (1219 mm) with ground

CONTROLS

Low voltage dry contact (24VAC) for:

- Fan interlock (NO and NC)
- LCD Electronic Multifunction Control (P/N 611227)
- Mode Control (Recirculation) (P/N 611230)
- Humidity Control (P/N 611224)
- Speed Control (Low/Intermittent/High) (P/N 611229)
- 20/40/60 Minute Timer (P/N 611228)

FROST CONTROL

- Automatic timed recirculation
- Cycles controlled by a temperature sensor when outdoor temperature drops below 23°F (-5°C)

FILTERS

Quantity: 2
Type: Aluminum (P/N 612261)
Optional: Carbon (P/N 612262) or High-Efficiency/MERV 13 Equivalent (P/N 612263)

WARRANTY

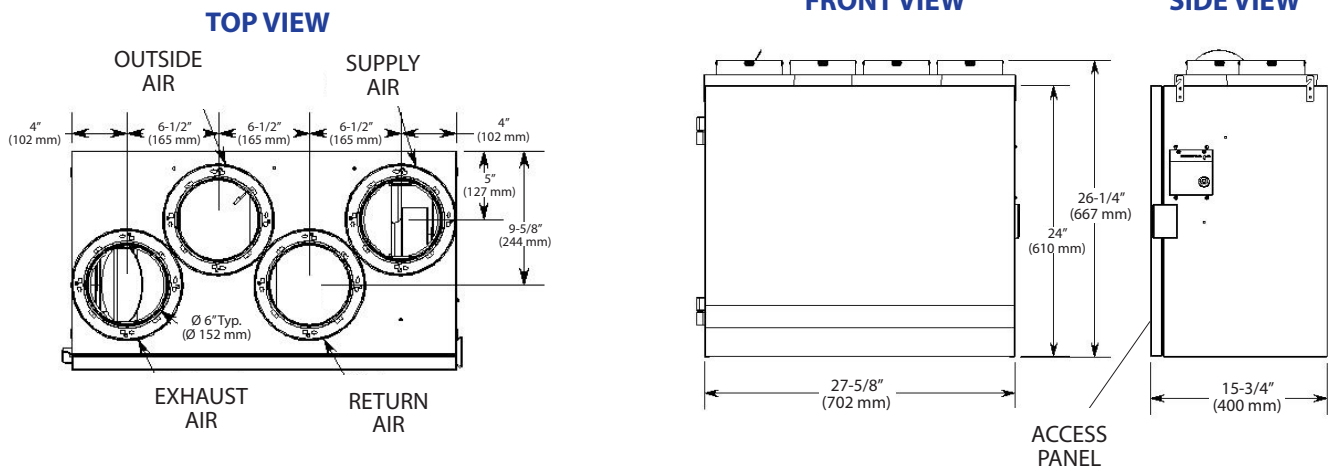
Core Assembly: Limited lifetime warranty
All Other Covered Components: Limited 5-year warranty

APPROVALS

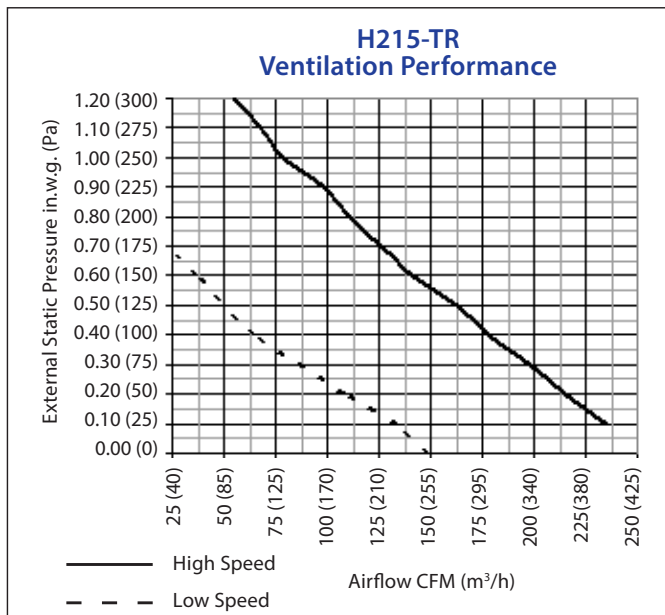
Meets Standards:
• C22.2 no113 and UL 1812



Dimensions



Performance



Energy Performance							
Supply Temperature	Net Airflow		Power Consumed (W)	Sensible Recovery Efficiency	Apparent Sensible Effectiveness	Latent Recovery/Moisture Transfer	
	°F	°C					CFM
32	0	67	32	70	67%	77%	0.02
32	0	99	47	82	65%	73%	0.01
-13	-25	70	33	82	60%	60%	0.01



Project:		Architect:	
Location:		Engineer:	
Model #:		Contractor:	
Quantity:		Comments:	
Submitted By:			
Date:			

© 2013 American ALDES Ventilation Corporation. Reproduction or distribution, in whole or in part, of this document, in any form or by any means, without the express written consent of American ALDES Ventilation Corporation, is strictly prohibited. The information contained within this document is subject to change without prior written notice.