

## Radon Mitigation Fans

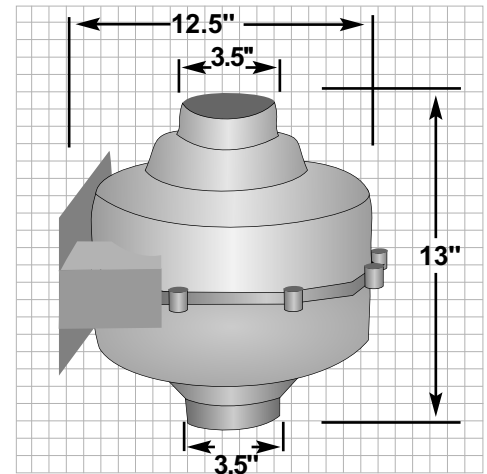
All RadonAway fans are specifically designed for radon mitigation. GP Series Fans provide a wide range of performance that makes them ideal for most sub-slab radon mitigation systems.

### Features:

- ◆ Five-year hassle-free warranty
- ◆ Mounts on duct pipe or with integral flange
- ◆ 3.5" diameter ducts for use with 3" or 4" pipe
- ◆ Electrical box for hard wire or plug in
- ◆ ETL Listed - for indoor or outdoor use
- ◆ Meets all electrical code requirements
- ◆ Thermally protected
- ◆ Rated for commercial and residential use.

Model	Watts	Max. Pressure "WC	Typical CFM vs. Static Pressure WC						
			1.0"	1.5"	2.0"	2.5"	3.0"	3.5"	4.0"
GP201	40-60	2.0	82	58	5	-	-	-	-
GP301	55-90	2.6	92	77	45	10	-	-	-
GP401	60-110	3.4	93	82	60	40	15	-	-
GP501	70-140	4.2	95	87	80	70	57	30	10

Choice of model is dependent on building characteristics including sub-slab materials and should be made by a radon professional.



**For Further Information Contact:**