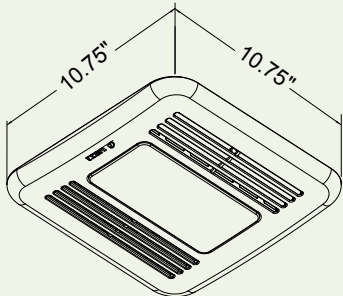
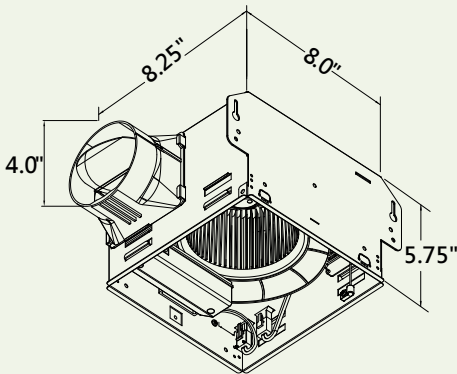




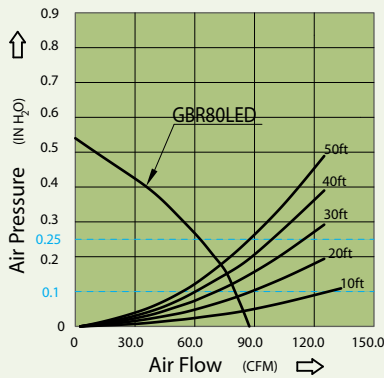
Delta BreezGreenBuilder Ventilation Fan / LED Light Combo Specifications

GBR80LED
(80 CFM)

Dimensions



Fan Curve



Description

Low noise ceiling mount ventilating fan rated for continuous running. Fan is ENERGY STAR® qualified, HVI, UL, and cUL certified, and can be used to comply with ASHRAE 62.2 (local and whole building continuous and intermittent operation), CA Title 24, and CALGreen requirements.

Motor/Blower

- Power rating of 120volts/60Hz
- DC brushless motor engineered to run continuously
- Motor equipped with thermal cutoff fuse
- Permanently lubricated motor

Housing

- Galvanized steel body
- Detachable 4" diameter duct adapter
- Built-in backdraft damper
- Easy installation

Grille

- Attractive design using ABS material
- Attaches directly to housing with torsion springs

Light

- 11-Watt LED light engine included

Warranty

- 3-year limited warranty

Features

- For ceiling mount only, air flow of 80 CFM (±10%) and 0.8 sones at 0.1" static pressure
- Power consumption approximately 11.6 Watts with an efficiency rating approximately 6.8 CFM/Watt at 0.1" static pressure
- UL and cUL listed for tub/shower enclosure when used with GFCI-protected branch circuit wiring

DC Motor Technology

- Built-in soft start function to increase bearings' life
- Automatically powers off when the impeller is locked abnormally

Specifications

GBR80LED	4" Duct (Standard)	
Static Pressure (Inches w.g.)	0.1	0.25
Air Flow (CFM)	80	63
Sones	0.8	1.1
Power Consumption (Watts)	11.6	11.1
Energy Efficiency (CFM/Watt)	6.8	5.6
Current (Amps)	0.21 Max	
Power Rating (V/Hz)	120 / 60	
Lamp (Watts)	11	