

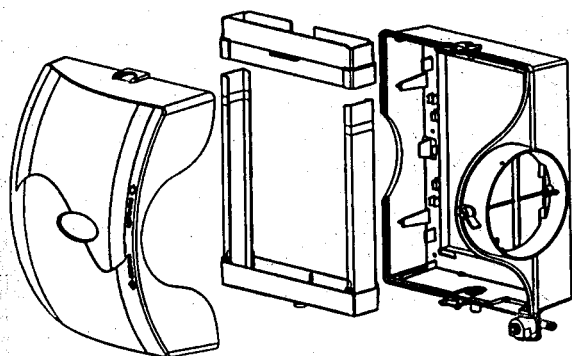
## INSTALLATION INSTRUCTIONS

The GA19 Vapor Pad® is designed to maximize output from 900 and 1000 model humidifiers. The Vapor Pad® is coated with an improved wetting agent to increase humidifier efficiency.

Replacing the Vapor Pad® is best done with the humidifier and furnace off. Take note of control settings before turning to Off.

### 900 Model, replacing Vapor Pad®:

1. Push release buttons on top and bottom and remove cover.
2. Pull black distributor trough above Vapor Pad® to remove.
3. Pull distributor trough from assembly and slide used Vapor Pad® out.
4. Inspect drain spout, drain hose, drain pan and distributor trough. Clean if needed.
5. Slide new Vapor Pad® into assembly with painted end facing up. Replace distributor trough onto top of assembly. Press trough firmly to seat.
6. Install assembly into humidifier bottom end first. Press drain pan into spout, then pivot top into place.
7. Push cover onto humidifier until both release buttons snap into place.
8. Start furnace and check for leaks and proper operation.



### 1000 Model, replacing Vapor Pad®:

1. Unplug power cord and pull electrical plug at bottom of cover.
2. Push release button on bottom of cover and swing cover upward to remove.
3. Pull black distributor trough above Vapor Pad® to remove.
4. Pull distributor trough from assembly and slide used Vapor Pad® out.
5. Inspect drain spout, drain hose, drain pan and distributor trough. Clean if needed.
6. Slide new Vapor Pad® into assembly with painted end facing up. Replace distributor trough onto top of assembly. Press trough firmly to seat.
7. Install assembly into humidifier bottom end first. Press drain pan into spout, then pivot top into place.
8. Place top of cover onto humidifier with care. Engage tabs fully into cover slots. Swing cover down until release button snaps into place.
9. Connect electrical plug at bottom of cover and plug power cord back in.
10. Start furnace and check for leaks and proper operation.

