

Specification Data

Panasonic Ventilation Fan



FV-10VSL1 (100 CFM)

Description

Ventilating fan shall be Low Noise ceiling mount type rated for continuous run. Fan shall be ENERGY STAR rated and certified by the Home Ventilation Institute (HVI). Evaluated by Underwriters Laboratories and conform to both UL and cUL safety standards.

Motor/Blower:

- Four-pole totally enclosed condenser motor rated for continuous run.
- Power Rating shall be 120 volts and 60 Hz.
- Fan shall be UL and cUL listed for tub/shower enclosure when used with a GFCI branch circuit wiring.
- Motor equipped with thermal-cut-off fuse.
- Removable with permanently lubricated plug-in motor.

Housing:

- Rust proof paint, galvanized steel body.
- 4" round compatible, oval duct.
- Built in backdraft damper.
- Double hanger bar system allowing for ideal positioning.

Light:

- Two 18 watt, 3500 Kelvin quick start compact fluorescent lamps included.
- One 4 watt night-light included.

Grille:

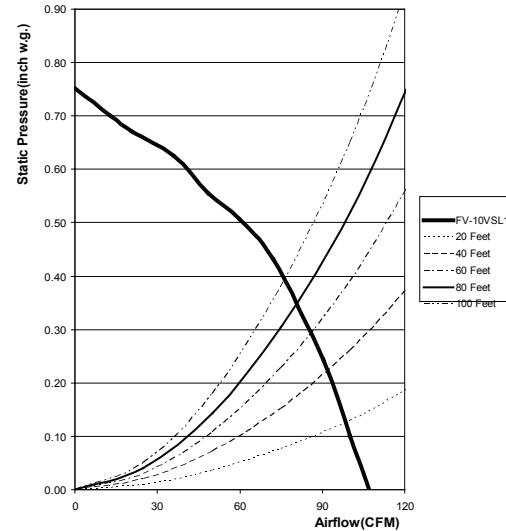
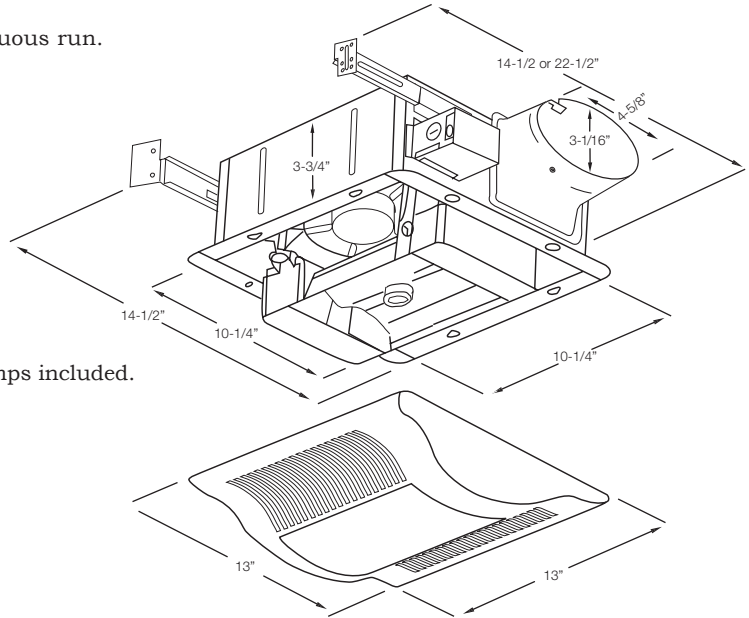
- Attractive design using PP material.
- Attaches directly to housing with torsion springs.

Warranty:

- The factory warranty shall be a minimum of 3 years limited warranty on parts.

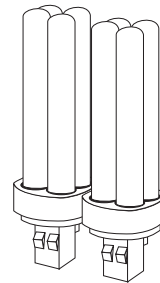
Typical Specifications:

Ventilating fan shall be of the ceiling mount. ENERGY STAR rated type, with no less than 100 CFM and no more than 1.5 sones as certified by the Home Ventilating Institute (HVI) at 0.1 static pressure in inches water gauge. Fan power consumption shall be no greater than 36.6 watts and ENERGY STAR rated with efficiency rating of no less than 2.9 CFM/watt. The motor shall be totally enclosed, four pole condenser type engineered to run continuously. Power rating shall be 120v/60Hz. Oval duct diameter shall be no less than 4-5/8" and 4" round duct compatible. Fan shall be UL and cUL listed for tub/shower enclosure when used with GFCI branch circuit wiring. Fan shall be California Title-24 compliant. Lamps shall be of the compact fluorescent type with the fan utilizing no less than two 18-watt energy efficient, compact fluorescent lamps while incorporating high efficiency electronic ballast. Night-light feature shall be included.



Specifications:

FV-10VSL1		4" Duct (Oval)	
Ventilation Fan Characteristics (HVI Certified Data)	Static Pressure (inches w.g.)	0.1	0.25
	Air Volume (CFM)	100	90
	Noise (sones)	1.5	NA
	Power Consumption (Watts)	36.6	36.3
	Energy Efficiency (CFM/Watts)	2.9	2.6
	Speed (RPM)	911	1019
	Current (amps)	0.30	0.30
	Power Rating (V/Hz)	120/60	
	California Title-24 Compliant	Yes	



Included:
2 Panasonic
18 Watt
Compact
Fluorescent
Lamps.

As of 07/09

For Complete Installation Instructions Visit www.panasonic.com/building



Model	Quantity	Comments	Project:
			Location:
			Architect:
			Engineer:
			Contractor:
			Submitted by:
			Date: