

Specification Data

Panasonic Ventilation Fan

Description

Ventilating fan shall be Low Noise ceiling mount type rated for continuous run. Fan shall be ENERGY STAR rated and certified by the Home Ventilating Institute (HVI). Fan shall include energy efficient compact fluorescent lighting. Evaluated by Underwriters Laboratories and conform to both UL and cUL safety standards.

Motor/Blower:

- Enclosed DC brushless motor technology rated for continuous run.
- Power Rating shall be 120 volts and 60 Hz.
- Fan shall be UL listed for tub/shower enclosure when used with a GFCI branch circuit wiring and use in insulated ceiling (TYPE I.C.).
- Motor equipped with thermal cut-off fuse control.
- Removable with permanently lubricated plug-in motor.

Housing:

- Rust proof paint, galvanized steel body.
- Detachable 4" diameter duct adapter.
- Built in backdraft damper.
- Double hanger bar system allowing for ideal positioning.

Grille:

- Attractive design using PP material.
- Attaches directly to housing with torsion springs.

Light:

- One 32-watt electronic ballast compact fluorescent lamps included.
- One 4-watt, night-light included.
- FCC Part 18 compliant.

Warranty:

- The factory warranty shall be a minimum of 6 years limited warranty on the motor and 3 years on the parts

Typical Specifications:

Ventilating fan shall be ceiling mount type, ENERGY STAR rated with no less than 80 CFM and no more than 0.3 sone as certified by the Home Ventilating Institute (HVI) at 0.1 static pressure in inches water gauge. Power consumption shall be no greater than 7.4 watts and ENERGY STAR rated with efficiency rating of no less than 11.2 CFM/watt. The motor shall be enclosed with brushless DC motor engineered to run continuously. Power rating shall be 120v/60Hz. Duct diameter shall be no less than 4". Fan shall be UL and cUL listed for tub/shower enclosure when used with GFCI branch circuit wiring. Fan shall be UL listed for use in insulated ceiling (TYPE I.C.) Lamps shall be compact fluorescent utilizing no less than one 32-Watt energy efficient, electronic ballast light bulbs and include one 4-Watt night-light. Fan shall be California Title 24 compliant.

WhisperGreen	FV-08VKL3	
Static Pressure in inches w.g.	0.1	0.25
Air Volume (CFM)	80	79
Noise (sones)	<0.3	0.6
Power Consumption (watts)	7.4	12.4
Energy Efficiency (CFM/Watt) ²	11.2	6.6
Speed (RPM)	866	1166
Current (amps)	0.01	0.02
Washington VIAQ Code	Yes	

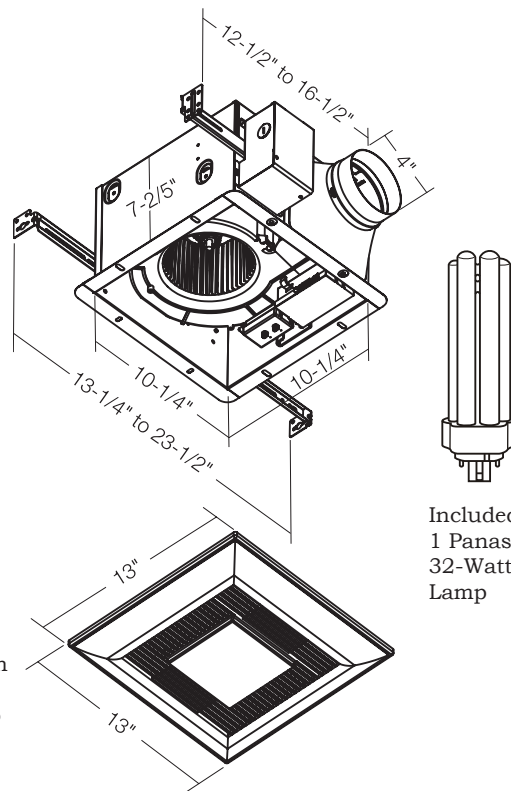
As of 1/11

Panasonic

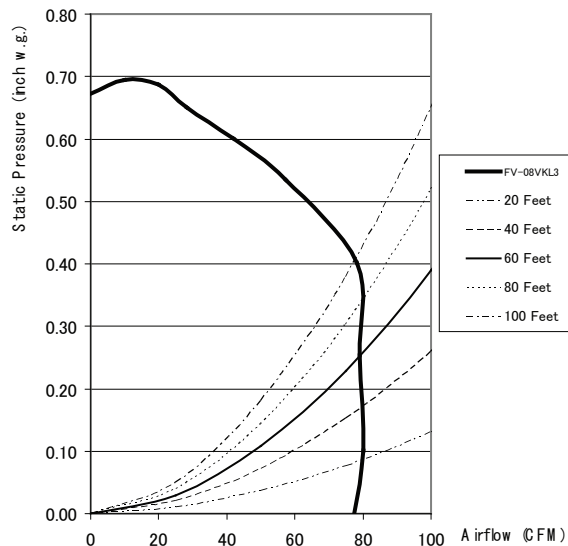
WhisperGreen-Lite™
VENTILATION FAN



FV-08VKL3 (80 CFM)



Included:
1 Panasonic
32-Watt CFL
Lamp



For Complete Installation Instructions Visit www.panasonic.com/building



Model	Quantity	Comments	Project:
			Location:
			Architect:
			Engineer:
			Contractor:
			Submitted by:
			Date: