



Manitowoc

7626213

REPLACING TOP EVAPORATOR FRAME AND GASKET

Use kit, 7626213, to replace top evaporator frame and gasket on all B-model and J-0200 through J-1000 ice machines. Kit includes all necessary hardware:

<u>Quantity</u>	<u>Description</u>
1	Top evaporator frame
1	Gasket
1	Tube silicone sealant
4	Top frame disks
4	Brass nuts
1	Instructions

Replacement Instructions:

1. Put ICE/OFF/CLEAN switch to the OFF position.
2. Remove water curtain and water distribution tube from evaporator.
3. Using a small flat screwdriver, chip out all four top frame disks (Fig. 1). **IMPORTANT:** Be careful not to damage nuts and evaporator studs beneath disks.
4. Remove all four 11/32" brass nuts; lift top evaporator frame and gasket from evaporator (Fig. 2).
5. Remove excess silicone sealant from top corners.
6. Lay gasket flat on top evaporator frame with the ribbed edge of gasket in the slotted portion of the top evaporator frame (Fig. 3).
7. Install top evaporator frame and gasket on evaporator. Tighten four brass nuts so gasket is even with the front edge of top evaporator frame and evaporator. **IMPORTANT:** Do not over-tighten and smash gasket.
8. Fill mounting holes with silicone sealant. Insert new top frame disks and clean off excess silicone sealant. *NOTE: Any residue may result in poor water flow over evaporator.*
9. With silicone sealant, seal corners where top evaporator frame meets side brackets. **IMPORTANT:** Allow one hour for silicone sealant to dry.
10. Put ICE/OFF/CLEAN switch to ICE position and verify ice machine is operating properly.

(See attached illustrations)

2110 South 26th Street, P.O. Box 1720, Manitowoc, WI 54221-1720 USA
Telephone 920-682-0161, Fax - Sales: 920-683-7589, Service/Parts: 920-683-7585, Other: 920-683-7879
Web Site - www.manitowocice.com

8009653
Sheet 1 of 2
Rev. 07/10/03

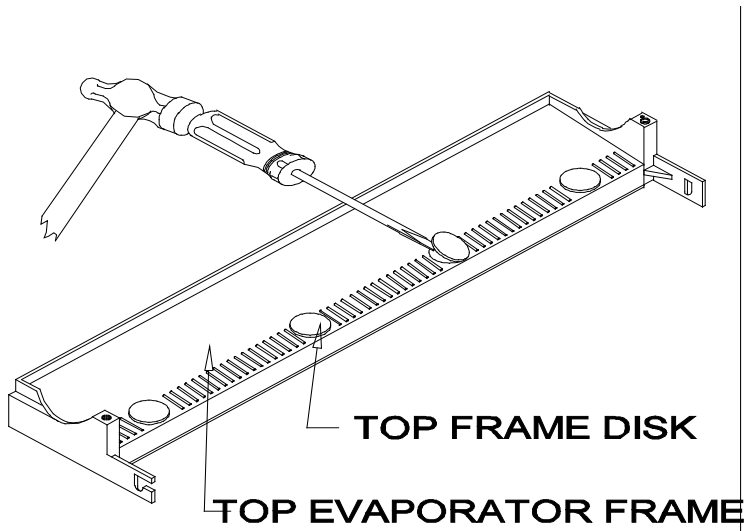


FIG. 1

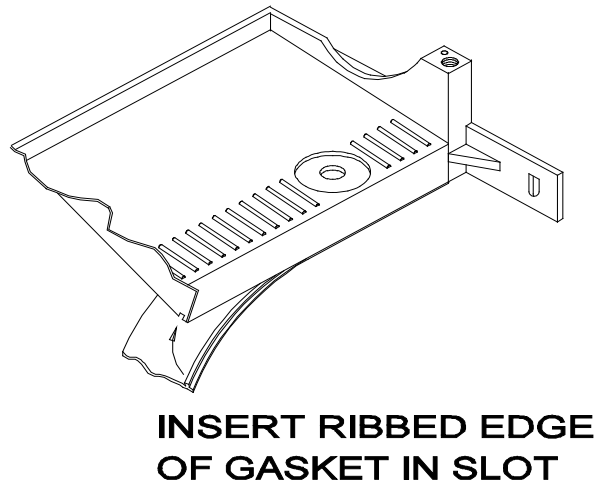


FIG. 3

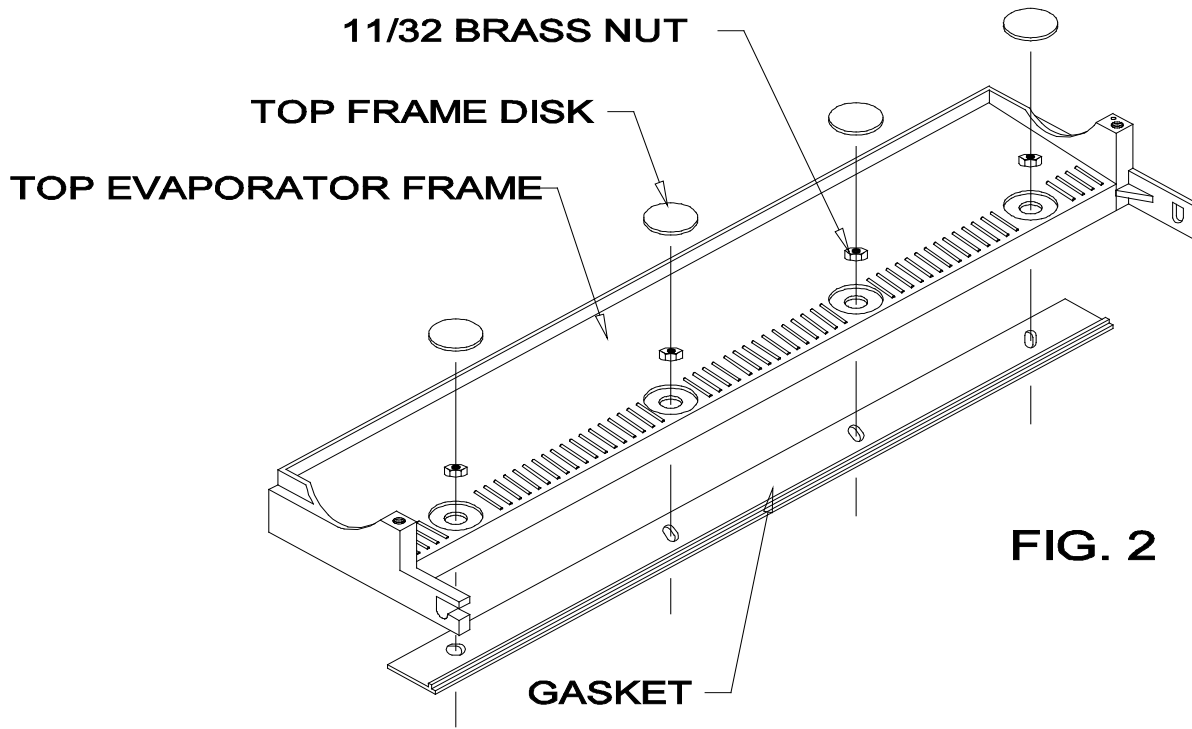


FIG. 2

